



Thank you for purchasing the our product. Before installing, please read the instruction carefully and keep it for future reference.

⚠ Notice

- Please, follow the step-by-step instructions for proper installation. Any damages caused by faulty installation shall be imputed to the users.
- To avoid a short circuit, do not pull the wires when installing the unit. Do not break or modify the wires either.
- Do not disassemble or change any parts.
- Maintenance and repairs should be executed by our professionals only.
- KOSO GPS Speed Signal Converter is only suitable for KOSO Universal Speedometer, any improper application or incorrect installation will cause permanent damage for this product.

ⓄAbout GPS

- Global Positioning System, GPS is a system which developed and managed by the United States Department of Defense. The system consists of 24 GPS satellites in space, just need to have 3 satellites to provide accurate positioning, speed detection and high precision time for most of the earth surfaces rapidly. The more satellites received, the more accurate location will be decoded.
- Positioning accuracy control and proper functioning of system: due to policy consideration and national security, the U.S. reserves the right to control system function and positioning accuracy without advanced notice or announcement. Also, weather condition, utilization occasion, environment and terrain will affect normal reception of satellite signal.
- Satellite signal cannot be received in the following condition, environment and terrain: at the bottom of high level road, tunnels, underpasses, between high buildings and in thick forests.

ⓄMark Meaning:

NOTE You could get the installation details from the information behind the mark.

⚠ Some procedures must be followed to avoid faulty installation.

⚠ WARNING! Some procedures must be followed to avoid damages from occurring to yourself and to others.

⚠ CAUTION! Some procedures must be followed to avoid damages from occurring to the vehicle.



FLASH



PRESS THE
BUTTON
ONCE

1 Accessories

1 GPS speed signal converter X1

2 GPS connector adapting wire X1

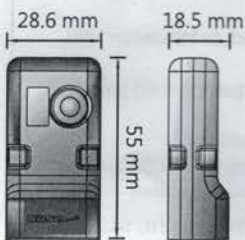
3 GPS antenna X1

4 3M Velcro X1

5 Tie warp 300 mm X2

NOTE Contact your local distributor, if the items received in the box are not the same as the items listed above.

2 Specifications



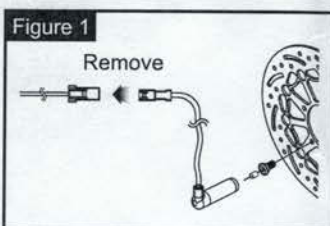
- Module Storage Temp. Range -20 ~ 60 °C
- Module Operation Temp. Range -10 ~ 60 °C
- Standard JIS D 0203
- Effective voltage DC 5 V (Please DO NOT apply with other range of voltage)
- Size 28.6 X 55 X 18.5 mm
- Weight About 33.2 g

NOTE Design and specifications are subject to change without notice!

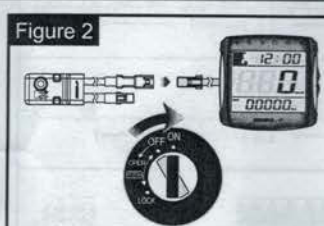
3 Practical installation instruction

Please proceed as follows

⚠ Please strictly follow the installation step shown below. If you have any problem to complete the installation, please refer to Section 7 - Trouble Shooting for some basic problem solving, to avoid the product damage.



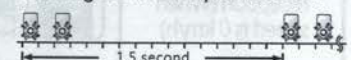
1. Please confirm your meter is in OFF status, and disconnect the original speed sensor.

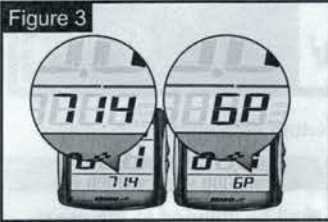


2. Please connect the GPS Speed Signal Converter (Accessory 1), and turn the Key on.

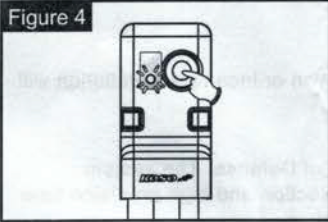
NOTE Please refer to Section 4 - Wiring Installation.

The indication light will be flashing as the frequent below.

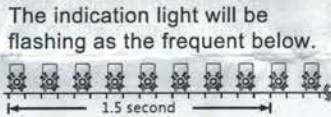




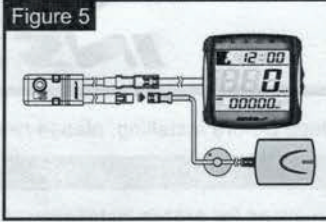
3. Please set the tire circumference and sensing point to be 0714-6P in the KOSO Universal Type of Speedometer.



4. Press the button once will test the speed signal output. The simulation signal will allow speedometer to display 60km/h (38MPH). The simulation signal will last for 10sec. and then it will stop the signal output.

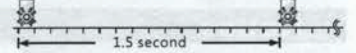


The indication light will be flashing as the frequent below.



5. Please connect the GPS Antenna (Accessory 4) to the module.

The indication light will be flashing as the frequent below.

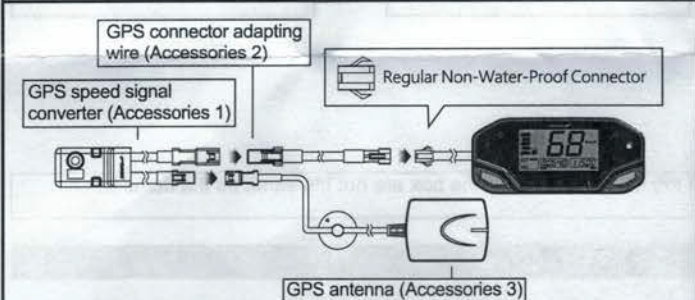
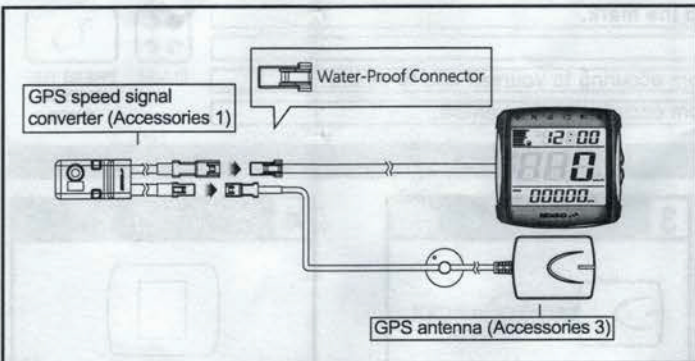


NOTE Please move the vehicle to the outdoor, open and no tall buildings or trees surrounded location to allow the GPS have better and faster positioning.

6. GPS is positioning.

NOTE Please refer to Section 5 - GPS Speed Signal Converter Indication Light Instruction.

4 Wiring installation instructions



⚠ Do not install GPS antenna inside the vehicle because windscreen heat isolation film will result in poor signal reception. It is recommended to be installed on top of the vehicle.

⚠ GPS antenna should not be placed at the location close to cell phone and transceiver for which signal may not be received.

5 GPS speed signal convertor indication light instruction

Converter Status	Indication Light Flash Frequency
1. GPS Antenna is not connected	
2. Output Speed Signal Simulating - 60km/h (38MPH)	
3. Searching for Satellite / Poor Reception	
4. Good satellite signal reception (When speed is 0 km/h)	
5. Good satellite signal reception (When speed is NOT 0 km/h)	

6 Startup positioning

There is two scenario for Startup Positioning Time.

Status	Time
● Use the converter very frequently.	● Around 1- 45 seconds.
● Haven't use the converter for over 14 days.	● Around 2 - 5 minutes.
● Away from last turn off position more than hundreds of kilometer.	

CAUTION! The following situations are classified as normal status.

- When receiving environment is bad or GPS positioning is just finished, the meter display some speed when vehicle is not moving.
- The actual mileage and the displayed mileage in the meter (ODO / Trip) might have 1% - 5% accumulation difference depend on the average satellites signal strength and user habits.

7 Trouble shooting

The following situation does not necessarily indicate malfunction of the meter. Check the following points, before taking it in for repairs.

Trouble	Check item
Speed does not appear or appears incorrectly.	<ul style="list-style-type: none"> • Improper connection of GPS antenna. → Make sure GPS antenna is connected correctly and no harness breakage. • GPS antenna error. → Make sure GPS module indication light has normal flashing. → Normal flashing frequency is 60 times per minute. • Incorrect time wiring setting. → Check wiring instruction in of Section 5.

* If the problem is not resolved after following the steps shown above, please contact your local distributor for assistance.