



Thank you for purchasing KOSO GP style tachometer. before operating the unit, please read the instruction thoroughly and retain it for the future reference.

Notice

1. The tachometer is apply for DC 12V.
2. For installation, please follow the steps described in manual. Any damage caused by wrong installation shall be imputed to the users.
3. To avoid the short circuit, please don't pull the wire when installing. Don't break or modify the wire terminal.
4. Do not disassemble or change any parts excluding the manual description.
5. The interior examination or maintenance should be executed by our professionals.

IMPORTANT: Should be use with Harley Davidson® sensor # 74438-99A (Jumper wire Oil Pressure Sensor HD® Part # 32806-00)

MARK MEANING:

NOTE You could get the installation details from the information behind the mark.

Some processes must be followed to avoid the affection caused by wrong installation.

WARNING! Some processes must be followed to avoid damages to yourself or the public.

CAUTION! Some processes must be followed to avoid the damage to the vehicle.



PRESS THE BUTTON ONE TIME



PRESS THE BUTTON 3 SECONDS

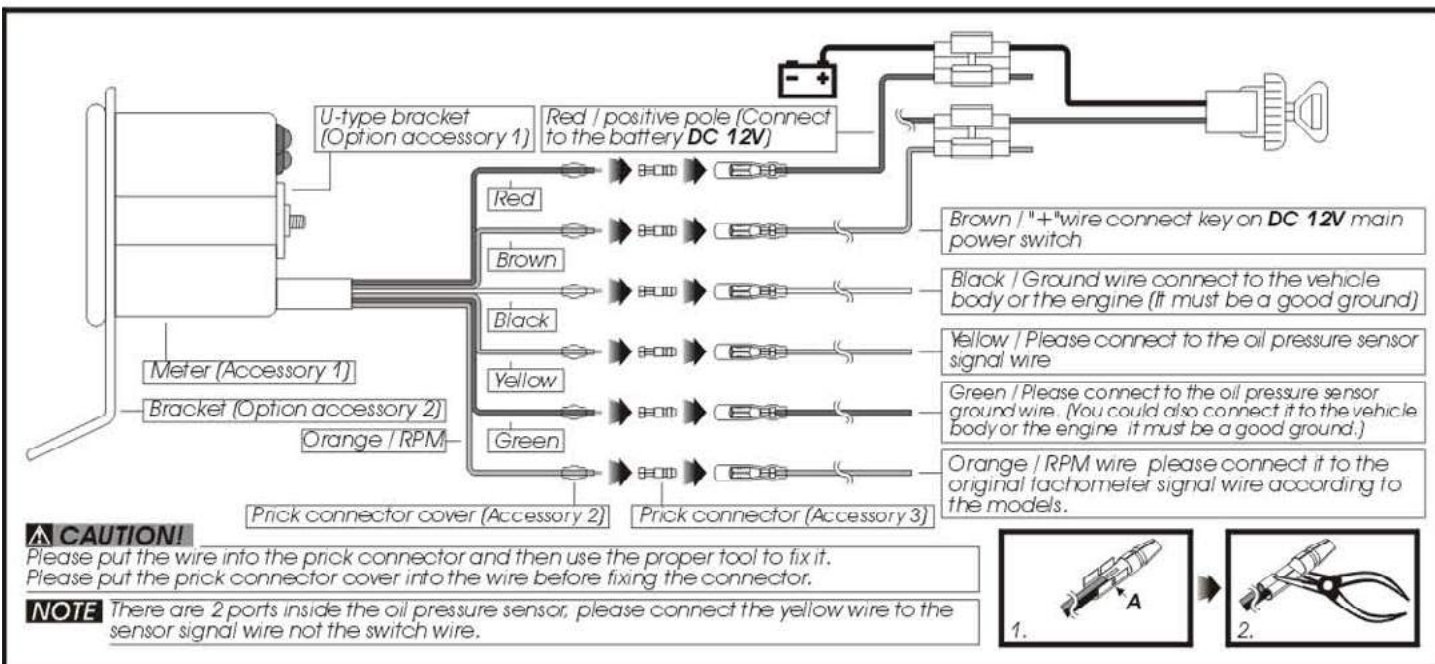
1-1 Accessory

<p>1 Meter X 1</p>	<p>2 3.5 mm prick connector cover X 6</p>	<p>3 3.5 mm prick connector X 6</p>	<p>4 Wire set X 6</p>
<p>5 Mid-way connect X 6</p>	<p>6 Meter bracket X 1</p>	<p>7 Handle bar clamp X 1</p>	<p>8 Rubber X 1</p>
<p>9 M6 X 18L screw X 1</p>	<p>10 M5 X P0.8 nut X 2</p>	<p>11 M6 X P1.0 nut X 1</p>	<p>12 M5 washer X 2</p>
<p>13 M6 washer X 1</p>	<p>14 Aluminum bush X 1</p>	<p>15 Manual</p>	

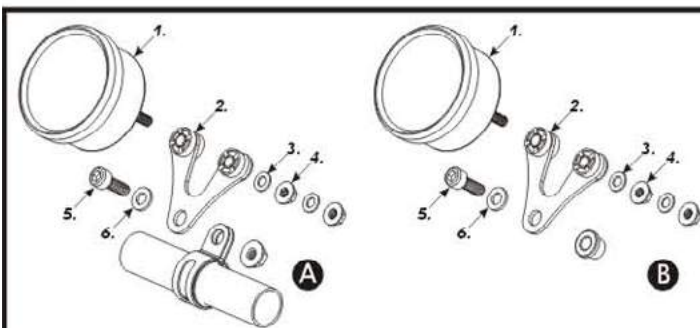
1-2 Option accessory

<p>1 U-type meter bracket</p>	<p>2 Mirror hole meter bracket</p>	<p>3 Universal adhesive bracket</p>	<p>4 7/8" bracket</p>
<p>5 1" bracket</p>	<p>6 1&1/4" bracket</p>	<p>7 1&1/2" bracket</p>	

2-1 Wiring installation instructions



2-2 Installation instructions

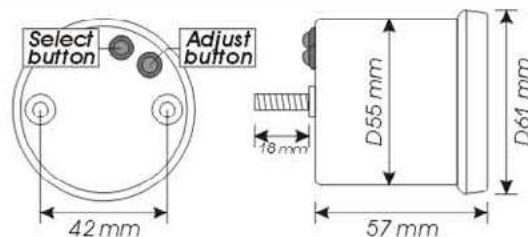


When installing, please follow the process.

1. Meter (Accessory 1)
 2. Meter bracket (Accessory 6)
 3. M5 washer X 2 (Accessory 12)
 4. M5 X P0.8 nut X 2 (Accessory 10)
 5. M6 X P1.0 screw (Accessory 9)
 6. M6 washer (Accessory 13)
- A** Use the meter bracket (Accessory 6), handle bar clamp (Accessory 7), rubber (Accessory 8) and the nut to install the speedometer on the handle bar.
- B** Use the aluminum bush (Accessory 14) to install the speedometer on the handle bar stem.

3-1 Overview

- Tachometer**
- Display range: 0~9,000 RPM.
 - Display unit: 100 RPM.
- Oil press**
- Display range: 0~75 psi.
 - Display unit: 0.1 psi.



3-2 Specification

● Tachometer	Display range: 0~9,000 RPM Display unit: 100 RPM	○ Display internal	<0.5 second
○ Display internal	<0.5 second	● Effective voltage	DC 12V
○ Stroke / piston setting	2 Stroke: 1, 2, 3, 4 pistons 4 Stroke: 1, 2, 3, 4, 5, 6, 8, 10, 12 pistons	● Effective temperature range	-10~+60°C
● Oil press	Display range: 0~75 psi Display unit: 0.1 psi	● Meter standard	JIS D 0203
		● Meter size	D55 X 57 mm
		● Meter weight	Around 190 g

NOTE Design and specification are subject to change without notice!