



Thank you for purchasing Koso's Harley Davidson Tachometer. Before operating this unit, please read the instructions thoroughly and retain them for future reference.

## ⚠ Notice

1. This meter only functions with DC 12V.
2. Any damage caused by faulty installation shall be imputed to the users.
3. To avoid a short circuit from occurring, do not pull or modify the wires during installing.
5. Disassembling this unit will void your warranty. Maintenance should be executed by our professionals.

### SYMBOL MEANING:

⚠ Some procedures must be followed in order to avoid faulty installation.

**⚠ WARNING!** Some procedures must be followed to avoid damages from occurring to yourself and others.

**⚠ CAUTION!** Some procedures must be followed to avoid damages from occurring to the vehicle.



FLASH



LIGHT ON



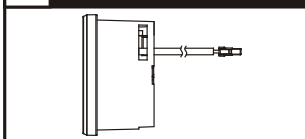
PRESS THE BUTTON ONE TIME



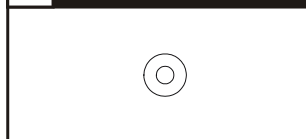
PRESS THE BUTTON 3 SECONDS

## 1 Accessories

### 1 LCD Meter X 1



### 2 M4 washer X2

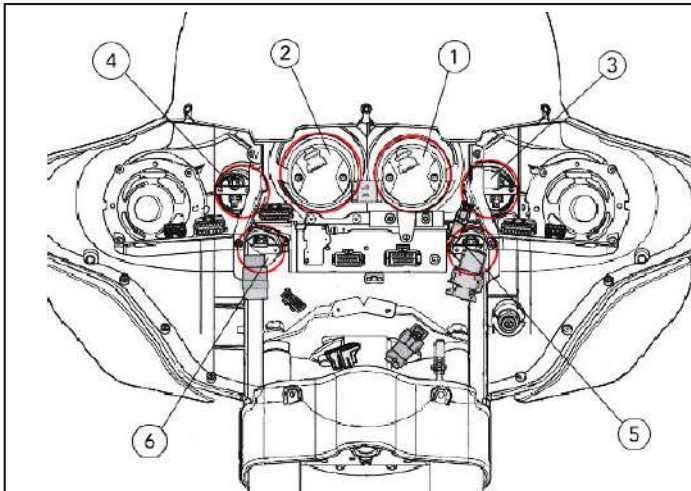


### 3 M4 x P0.7 nut X2



**NOTE** Please contact your local distributor if the items received are not the same as the items listed above.

## 2-1 Gauge location



- ① HD-02S 4" Speedometer
- ② HD-02R 4" Tachometer
- ③ HD-02T 2" Ambient Temp. Meter
- ④ HD-02V 2" Voltage Meter
- ⑤ HD-02F 2" Fuel Meter
- ⑥ HD-02P 2" Oil Pressure Meter

**NOTE** Gauge positioning and identification for 2004-2013 Harley-Davidson FLHT / FLHX / FLTR. For any other models, refer to the service manual.

## 2-2 Disassembling Instructions



1. Disconnect the ground (-) (negative pole of the battery) from the vehicle's battery.



2. Remove the mounting screw and remove the fairing.



3. Disconnect the headlight connector.



5. Remove the mounting hardware.

6. Remove the meter from the inner fairing.

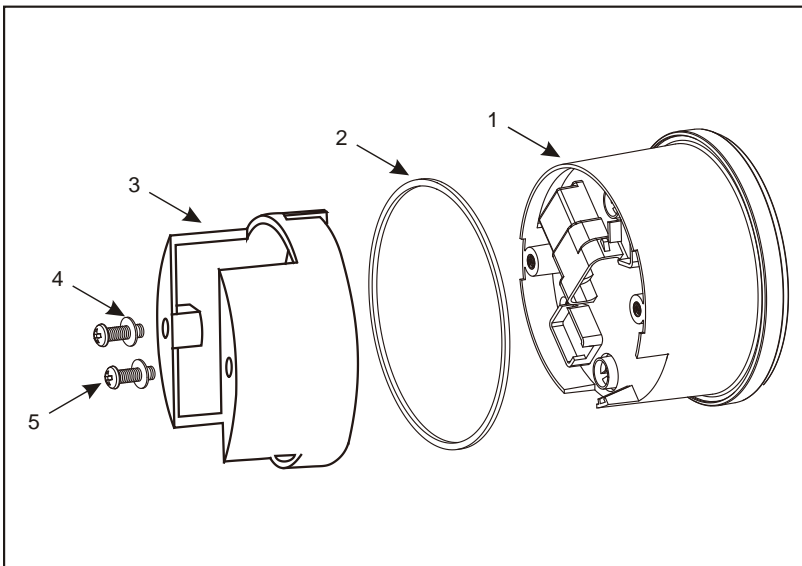


4. Disconnect the wiring from the speedometer, tachometer, ambient temp. meter, volt meter, fuel meter, and oil pressure meter.

7. Replace the meter with the new KOSO version.

**NOTE** The installation will be the same procedure backwards

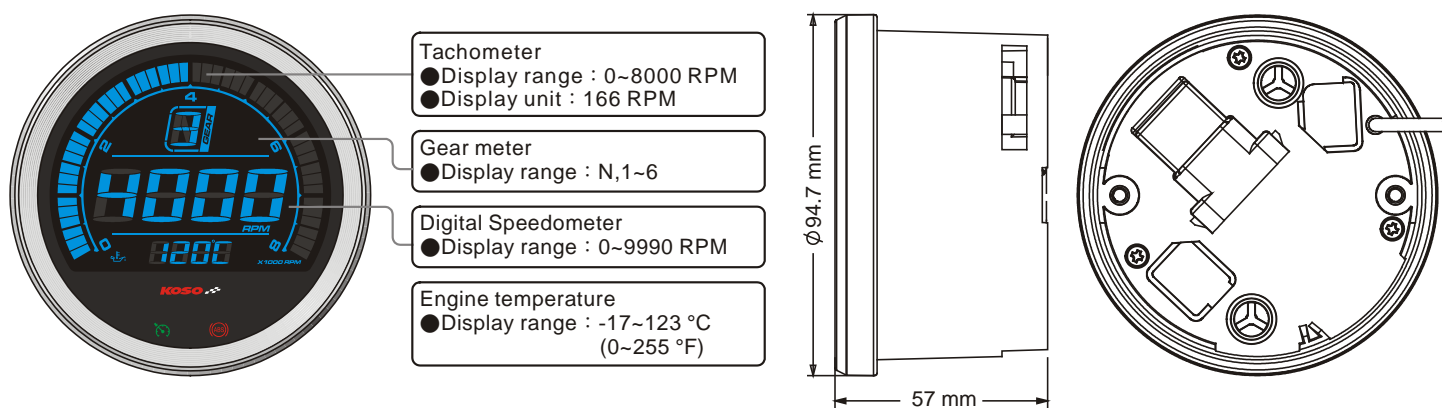
## 2-3 Installation instructions



### Steps

1. Meter
2. STD Meter O-ring
3. STD Meter bracket
4. M4 washer X2 (Accessorie 2)
5. M4 x P0.7 nut X2 (Accessorie 3)

## 3 Overview



### 3-1 Settings Instructions

|                      |                                       |                               |   |
|----------------------|---------------------------------------|-------------------------------|---|
| ● Digital Tachometer | Display range : 0~9990 RPM            | ● Effective temperature range | -10~60 °C   |
| ○ Tachometer         | Display range : 0~8000 RPM            | ● Meter standard              | JIS D 0203  |
|                      | Display unit : 166 RPM                | ● Meter size                  | D97.4 X 57 mm   |
| ○ Engine temperature | Display range : -17~123 °C (0~255 °F) | ● Meter weight                |   |
| ○ Gear meter         | Display range : N,1~6                 | ● Indicator light color       | Cruise control light (Orange / Green)<br>ABS Light (Yellow) |
| ● Effective voltage  | DC 12 V                               |                               |   |

**NOTE** Design and specifications are subject to change without notice!

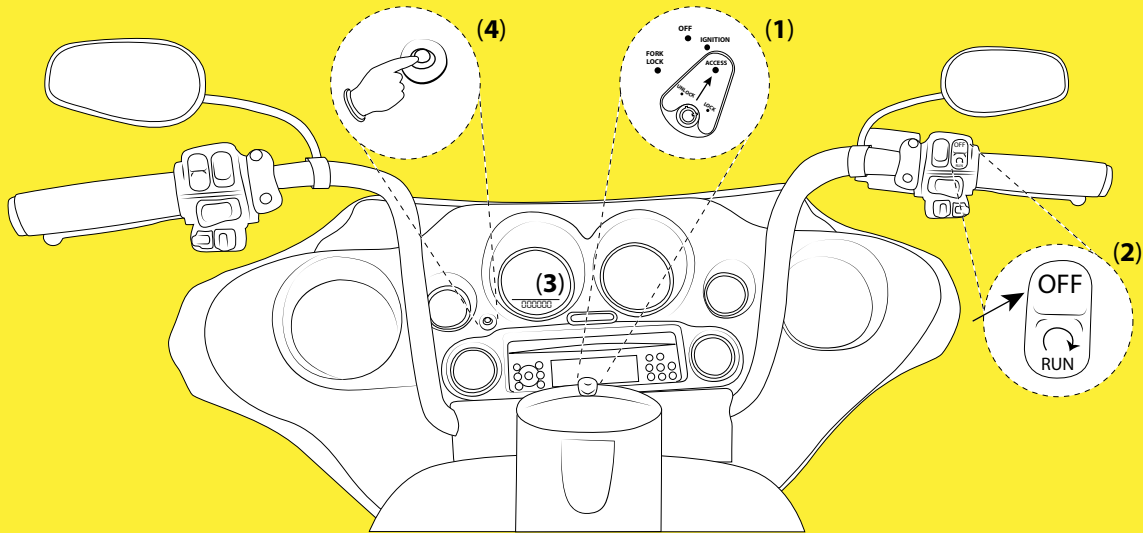
**NOTE** Please be advised this meter was programmed according original factory parameters. If the vehicle has been modified or customized and the parameters have been change, then the meter display might not be accurate

**NOTE** The backlight adjustment (brightness and color) must be done through the Speedometer housing with the communication harness.

## 4 Entering the settings

\* To enter the gauge settings mode, you must follow the steps below :

- A : The key must be switched to ON/ACCESSORIES (1).
- B : The Engine OFF/Run must be OFF (2).
- C : The speedometer must be displaying ODOMETER (3).
- D : Press and hold the Trip/Reset button down for 3 seconds to enter the settings (4).
- E : Use the Trip/Reset button to navigate through the settings (4).



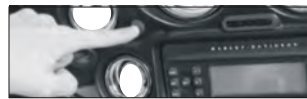
- ☑ In the main screen, hold the button for 3 seconds to enter in the settings screen.

⚠ To set the settings for the tachometer, install it in the speedometer housing use the speedo connection. After the setting is done, remove the tachometer & install it in the original tacho housing



### 4-1 Engine temperature setting

- ☑ Hold the button for 3 seconds to enter the Engine temperature setting screen.

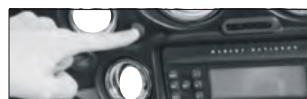


- ☑ EX. To change the setting to 37 °C
- ☑ Press the Adjust button to change the setting.

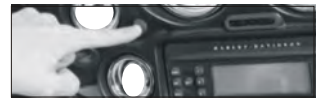
**NOTE** Default:°F

⚠ Now the default is flashing

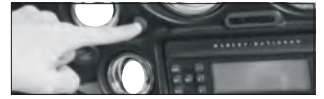
**NOTE** Setting range:°F or °C



- ☑ EX. To change the setting from 105 °F to 37 °C.
- ☑ Hold the button for 3 seconds to go back to the Engine temperature setting screen.



- ☑ Hold the button for 3 seconds to go back to the Engine temperature display setting screen.



- ☑ The main screen.



## 5 Troubleshooting

The following situation does not indicate malfunction of the meter. Please check the following points, before taking it in for repairs.

| Trouble                                      | Check item  |
|--|---|
| The meter doesn't work when the power is on. | <ul style="list-style-type: none"> <li>☑ The power doesn't supply to the meter.</li> <li>☑ Please make sure the wiring is connected. The wiring and fuse are not broken.</li> <li>☑ The battery is broken or the battery is too old to supply enough power <b>DC 12V</b> to make the meter work.</li> </ul> |