



Thank you for purchasing KOSO's Harley Davidson Fuel meter. Before operating this unit, please read the instructions thoroughly and retain them for future reference.

⚠ Notice

1. This meter only function with DC 12V.
2. Any damages caused by faulty installation shall be imputed to the users.
3. To avoid a short circuit from occurring, do not pull or modify the wires during installation.
4. Dissassembling this unit will void your warranty. Maintenance and repairs should be executed by our professionals only.

SYMBOL MEANING:

⚠ Some procedures must be followed in order to avoid faulty installation.

⚠ **WARNING!** Some procedures must be followed to avoid damages from occurring to yourself and others.

⚠ **CAUTION!** Some procedures must be followed to avoid damages from occurring to the vehicle.



FLASH



LIGHT ON



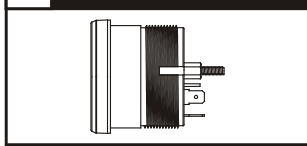
PRESS THE
BUTTON ONE
TIME



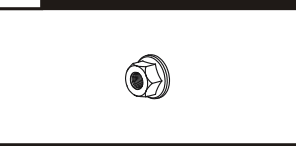
PRESS THE
BUTTON 3
SECONDS

1 Accessories

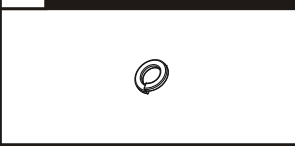
1 LCD Meter X 1



2 M4 x P0.7 nut X2

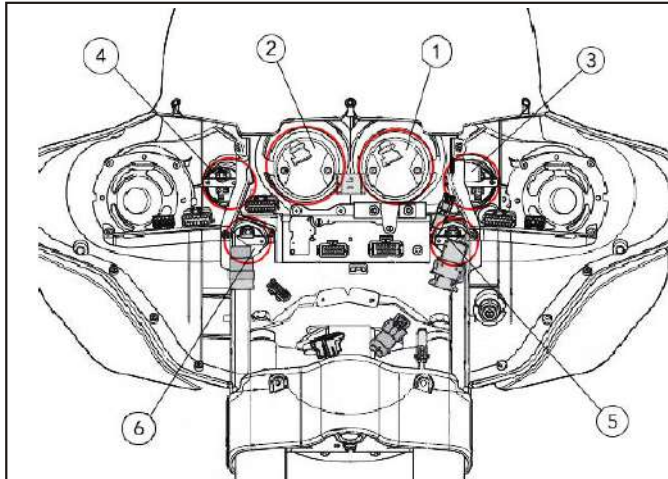


3 M4 washer X2



NOTE Please contact your local distributor if the items received are not the same as the items listed above.

2-1 Gauge location



- ① HD-02S 4" Speedometer
- ② HD-02R 4" Tachometer
- ③ HD-02T 2" Ambient Temp. Meter
- ④ HD-02V 2" Voltage Meter
- ⑤ HD-02F 2" Fuel Meter
- ⑥ HD-02P 2" Oil Pressure Meter

NOTE Gauge positioning and identification for 2004-2013 Harley-Davidson FLHT / FLHX / FLTR. For any other models, refer to the service manual.

2-2 Disassembling Instructions



1. Disconnect the ground (-) (negative pole of the battery) from the vehicle's battery.



2. Remove the mounting screw and remove the fairing.



3. Disconnect the headlight connector.



5. Remove the mounting hardware.

6. Remove the meter from the inner fairing.

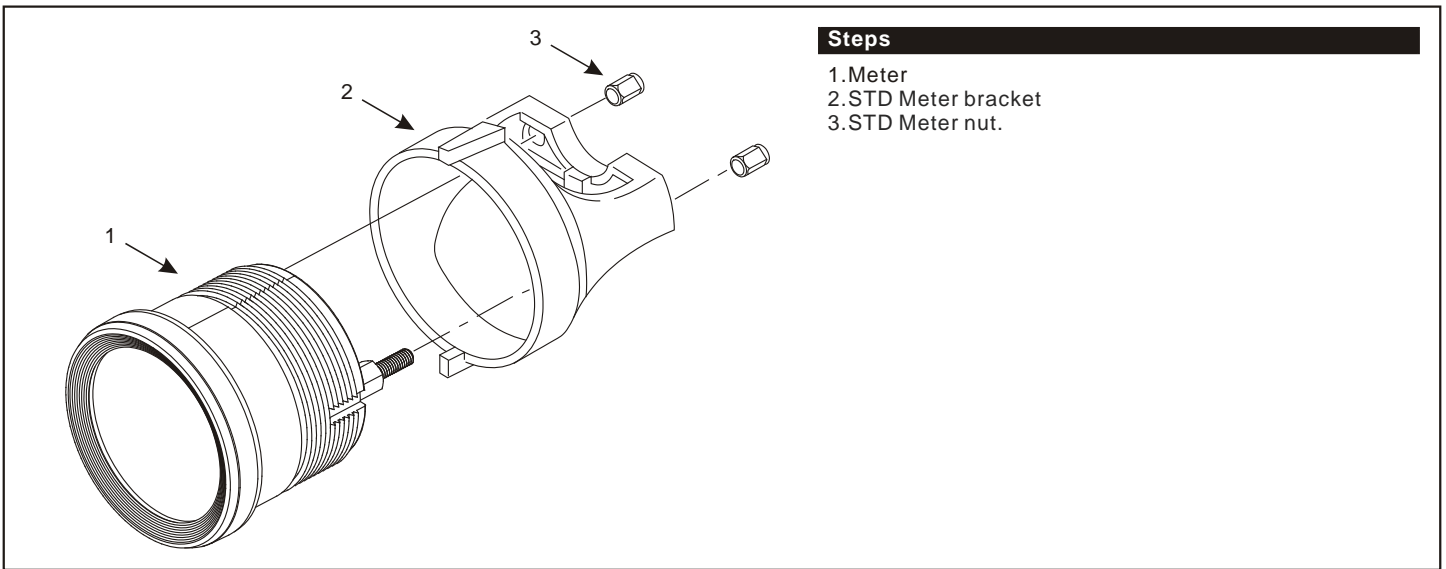


4. Disconnect the wiring from the speedometer, tachometer, ambient temp. meter, volt meter, fuel meter, and oil pressure meter.

7. Replace the meter with the new KOSO version.

NOTE The installation will be the same procedure backwards

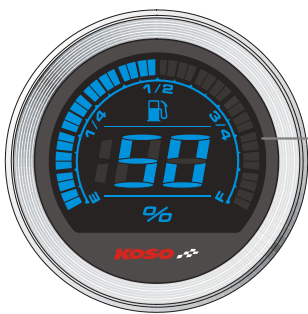
2-3 Installation instructions



Steps

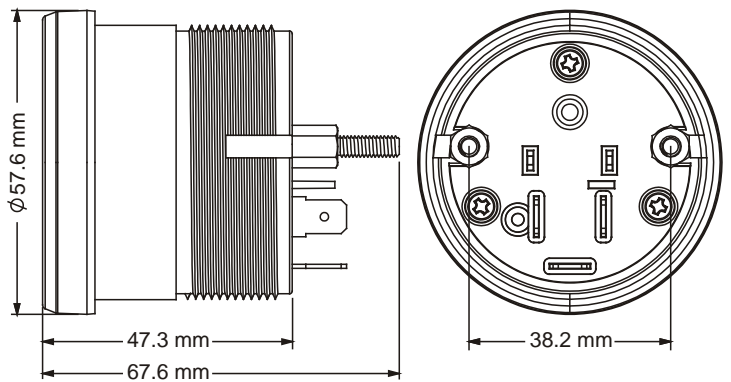
1. Meter
2. STD Meter bracket
3. STD Meter nut.

3 Overview



Fuel Meter
 ● Display range : 0~100 %
 ● Display unit : 1 %

Fuel warning
 ● Setting range : 0~30 %
 ● Setting unit : 1 %



3-1 Function instructions

● Fuel Meter	Display range : 0~100 % Display unit : 1 %	● Backlight color	Setting range: Blue / Red
○ Fuel warning	Setting range : 0~30 % Setting unit : 1 %	● Effective voltage	DC 12 V
● Fuel type	Setting range: SET 04 IF vehicle year is 2004~2007 SET 08 IF vehicle year is 2008~2013	● Effective temperature range	-10~60 °C
		● Meter standard	JIS D 0203
		● Meter size	D57.5 X 47.3 mm
		● Meter weight	Around 86 g

NOTE Design and specifications are subject to change without notice!

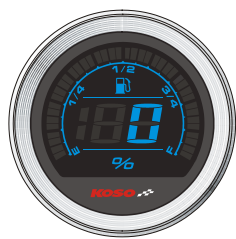
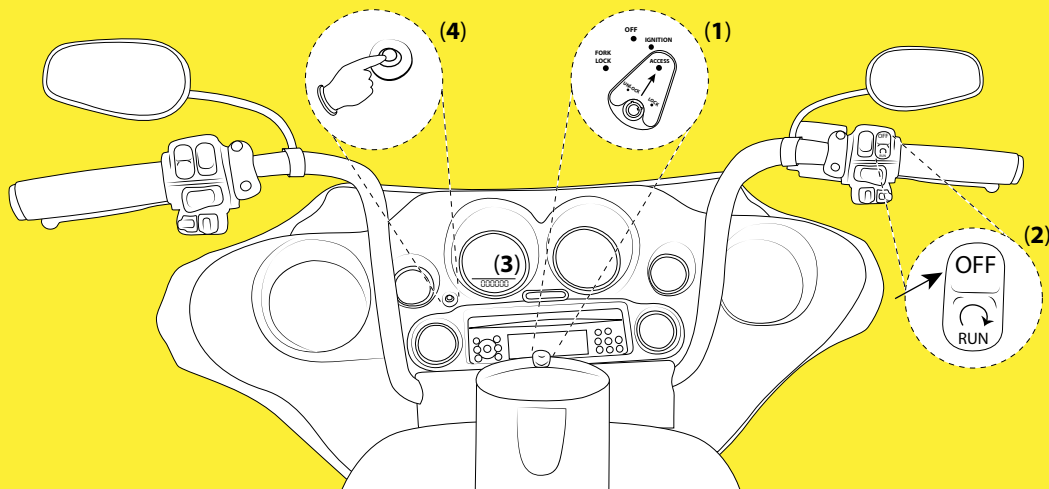
NOTE Please be advised this meter was programmed according original factory parameters. If the vehicle has been modified or customized and the parameters have been change, then the meter display might not be accurate

NOTE The backlight adjustment (brightness and color) must be done through the Speedometer housing with the communication harness.

4 Entering the settings

* To enter the gauge settings mode, you must follow the steps below :

- A : The key must be switched to ON/ACCESSORIES (1).
- B : The Engine OFF/Run must be OFF (2).
- C : The speedometer must be displaying ODOMETER (3).
- D : Press and hold the Trip/Reset button down for 3 seconds to enter the settings (4).
- E : Use the Trip/Reset button to navigate through the settings (4).



- ☒ In main screen, Press hold pressing the button for 3 seconds to enter the setting screen.

4-1 Fuel warning setting screen

- ☒ Press the button to change the setting.



- ☒ EX. The Fuel warning is 13.5 V.
- ☒ Press hold pressing the button for 3 seconds to move to the digit you want to set.

⚠ Now the default is flashing

NOTE Default:15%

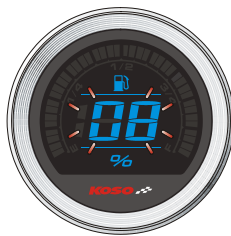
NOTE Setting range : 15%



- ☒ EX. You want to set the Fuel warning at 15% to 25%.
- ☒ Press hold pressing the button for 3 seconds to enter the fuel type setting screen.

4-2 Fuel type setting screen

- ☒ Press the button to change the setting.

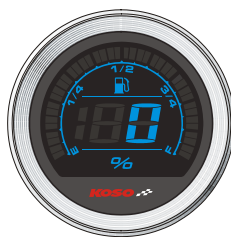


- ☒ EX. You want to set the Fuel type at 08 to 04.
- ☒ Press hold pressing the button for 3 seconds to enter the main screen.

⚠ Now the default is flashing

NOTE Default:08

NOTE Setting range :
04-04~07 year Vehicles
08-08~13 year Vehicles



- ☒ The main screen.

5 Troubleshooting

The following situation do not indicate malfunction of the meter. Please check the following before taking it in for repair.

Trouble	Check item
The meter doesn't work when the power is on.	<ul style="list-style-type: none"> ☒ The power doesn't supply to the meter. ☒ Please make sure the wiring is connected. The wiring and fuse are not broken. ☒ The battery is broken or the battery is too old to supply enough power DC 12V to make the meter work.

Discover other dashboard & gauges on our website.