



INSTALLATION INSTRUCTIONS

Part Number KA-8088 and YA-8096

Congratulations, you have purchased the finest air filter that money can buy. With proper care, this filter can last many seasons. This filter can be used in a stock machine, with no modifications required. If any engine modifications have been made tuning/jetting adjustments may be required. There are special installation instructions, so please follow the procedures outlined below to ensure the K&N Filtercharger® seals properly.

INSTALLATION

1. Remove the stock [air filter](#).
2. Apply a thin layer of the provided K&N Sealing Grease to the sealing surface of the K&N Filtercharger®. (Fig. 1)
3. Install the K&N Filtercharger® into the air box.
Note: Position the parts as shown in the diagram below.
4. Tighten the wing bolt.

Available to purchase separately

Precharger Wrap; 22-8088PK

THESE INSTRUCTIONS MUST BE FOLLOWED EVERY TIME THE FILTER IS SERVICED, OTHERWISE THE FILTER MAY NOT SEAL, AND DAMAGE TO THE ENGINE COULD RESULT.

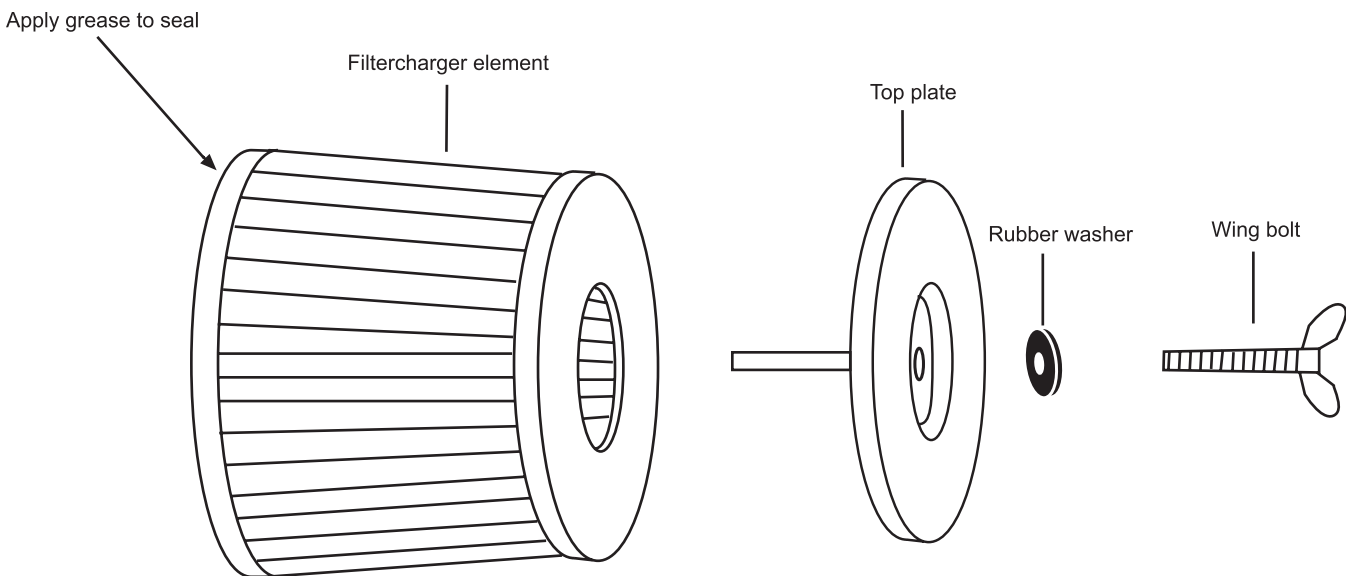


Fig. 1
