



INSTALLATION INSTRUCTIONS

PART NUMBER: RK-3946B

This Assembly Fits:

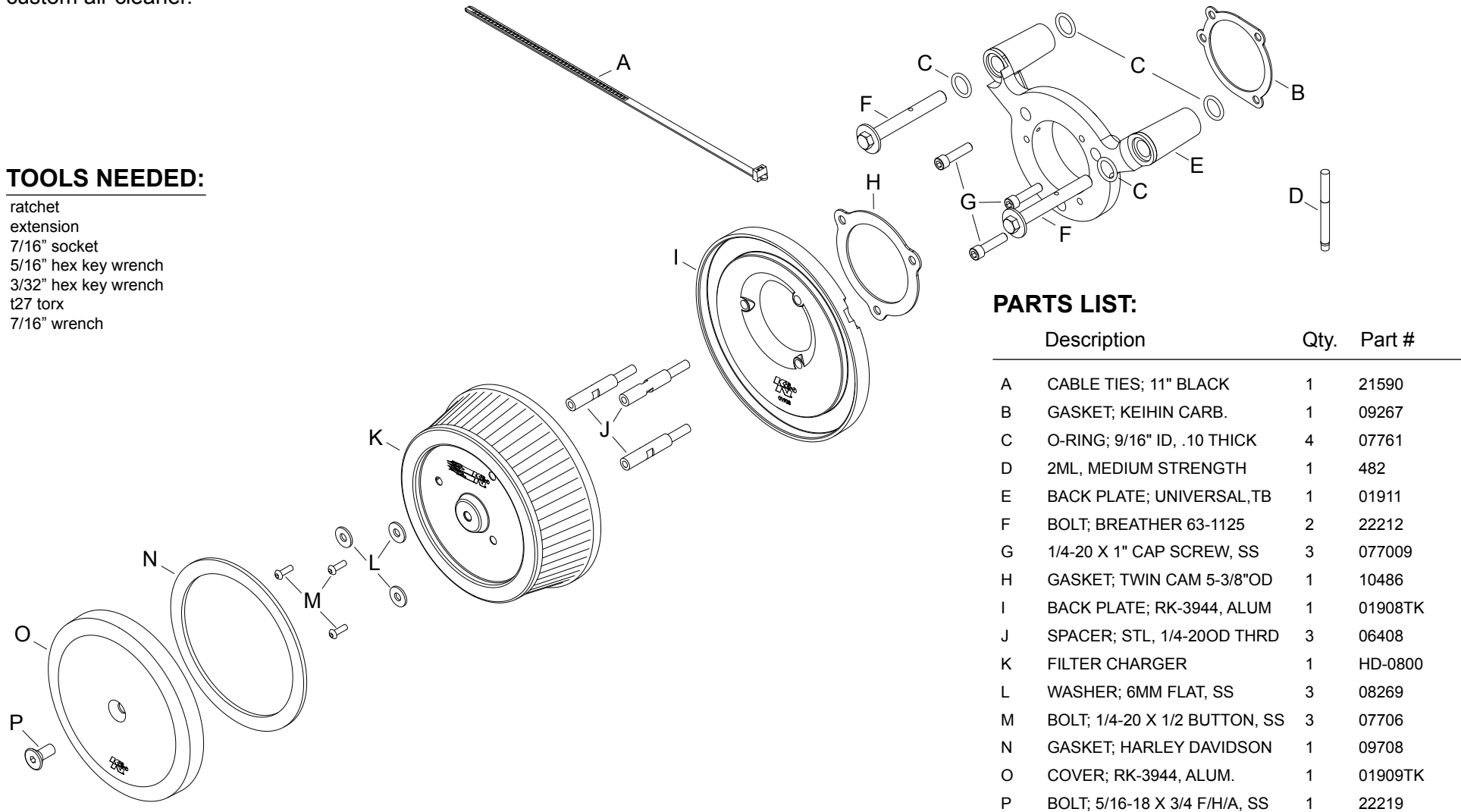
SEE CATALOG FOR CURRENT APPLICATIONS

SEE KNFILTERS.COM FOR CARB STATUS ON EACH PART FOR A SPECIFIC VEHICLE

Congratulations, you have purchased the finest custom air cleaner that money can buy. With proper care, this filter will last 1 million miles or more. This custom air cleaner replaces the stock air cleaner assembly. The following procedure **MUST** be followed to ensure a proper fit and seal of the custom air cleaner.

TOOLS NEEDED:

- ratchet
- extension
- 7/16" socket
- 5/16" hex key wrench
- 3/32" hex key wrench
- t27 torx
- 7/16" wrench



PARTS LIST:

Description	Qty.	Part #
A CABLE TIES; 11" BLACK	1	21590
B GASKET; KEIHIN CARB.	1	09267
C O-RING; 9/16" ID, .10 THICK	4	07761
D 2ML, MEDIUM STRENGTH	1	482
E BACK PLATE; UNIVERSAL, TB	1	01911
F BOLT; BREATHER 63-1125	2	22212
G 1/4-20 X 1" CAP SCREW, SS	3	077009
H GASKET; TWIN CAM 5-3/8"OD	1	10486
I BACK PLATE; RK-3944, ALUM	1	01908TK
J SPACER; STL, 1/4-20OD THRD	3	06408
K FILTER CHARGER	1	HD-0800
L WASHER; 6MM FLAT, SS	3	08269
M BOLT; 1/4-20 X 1/2 BUTTON, SS	3	07706
N GASKET; HARLEY DAVIDSON	1	09708
O COVER; RK-3944, ALUM.	1	01909TK
P BOLT; 5/16-18 X 3/4 F/H/A, SS	1	22219

NOTE: FAILURE TO FOLLOW INSTALLATION INSTRUCTIONS AND NOT USING THE PROVIDED HARDWARE MAY DAMAGE THE THROTTLE BODY AND ENGINE.

TO START:

1. Turn off the ignition and disconnect the negative battery cable.



2. Remove the bolt which secures the bonnet to the filter assembly and then remove the bonnet from the vehicle.

NOTE: On some applications the engine cubic inch badge may cover the bolt, the badge is held on with Velcro. Peel the badge off to expose the bolt.



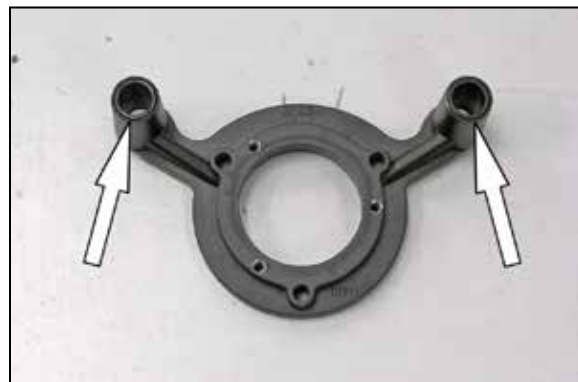
3. Remove the three bolts which secure the air filter to the filter base and then remove the air filter along with the crank case breather tube and bonnet bracket.



4. Remove the two crank case breather bolts shown and then remove the air filter base from the throttle body.

NOTE: Some models may have a wiring pigtail attached to the filter base. Unhook the wiring pig tail from the filter base. Using the provided tie wrap, secure the wiring pig tail to the throttle body wiring harness. On non US models, disconnect the intake valve solenoid.

NOTE: K&N Engineering, Inc. recommends that customers do not discard the factory air intake components.



5. Install two of the provided O-rings into the crank case breather plate as shown.



6. Install the crank case breather plate along with the two remaining O-rings, breather bolts, throttle body mounting bolts and throttle body gasket as shown.

NOTE: Be sure to place one drop of thread locker onto each bolt.



7. Install the filter spacer bolts through the filter back plate and then install the gasket onto the spacer bolts passed through the back plate. Install the filter back plate assembly onto the breather plate and secure with the filter spacer bolts.

NOTE: Be sure to place one drop of thread locker on each bolt.



8. Install the provided gasket onto the filter top plate as shown.



9. Install the filter onto the base plate and secure with the provided hardware.

NOTE: be sure to apply one drop of thread locker to each bolt.



10. Install the filter cover plate onto the filter and secure with the provided hardware.

NOTE: be sure to place one drop of thread locker to the cover plate mounting bolt.



11. Reconnect the vehicle's negative battery cable. Double check to make sure everything is tight and properly positioned before starting the vehicle.

12. It will be necessary for all K&N® custom air cleaners to be checked periodically for realignment, clearance and tightening of all connections. Failure to follow the above instructions or proper maintenance may void warranty.

ROAD TESTING:

1. Start the engine with the transmission in neutral. Listen for air leaks or odd noises. For air leaks secure hoses and connections. For odd noises, find cause and repair before proceeding. This kit will function identically to the factory system except for being louder and much more responsive.

2. Test ride the vehicle. Listen for odd noises or rattles and fix as necessary.

3. If road test is fine, you can now enjoy the added power and performance from your kit.

4. K&N Engineering, Inc., requires cleaning the intake system's air filter element every 50,000 miles. When used in dusty or off-road environments, our filters will require cleaning more often. We recommend that you visually inspect your filter once every 25,000 miles to determine if the screen is still visible. When the screen is no longer visible some place on the filter element, it is time to clean it. To clean and re-oil, purchase our filter Recharger® service kit, part number 99-5050 or 99-5000 and follow the easy instructions.

NOT LEGAL FOR SALE OR USE ON ANY POLLUTION CONTROLLED MOTOR VEHICLE IN CALIFORNIA OR STATES ADOPTING CALIFORNIA EMISSION PROCEDURES.

See knfilters.com for CARB status on each part for a specific vehicle