



INSTALLATION INSTRUCTIONS

PART NUMBER: RK-3941

This Assembly Fits:

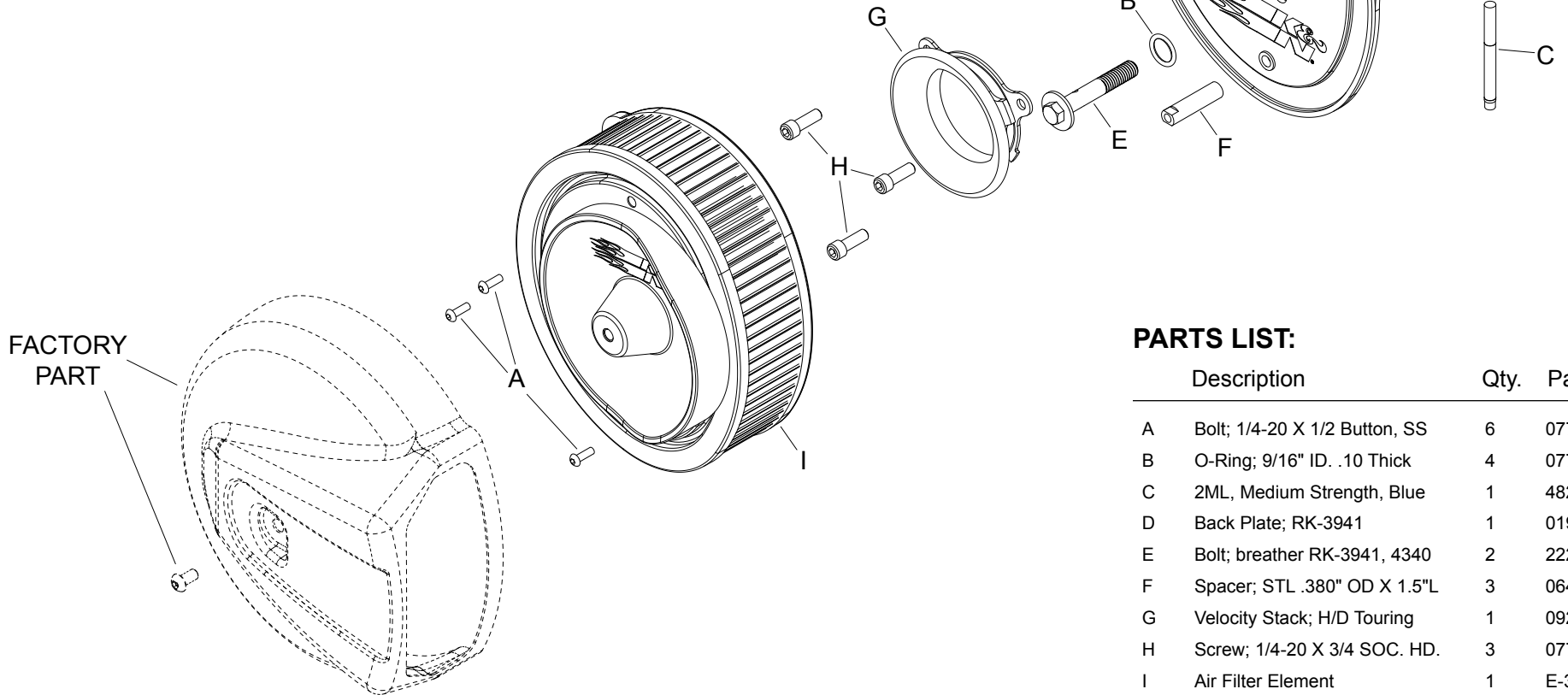
SEE CATALOG FOR CURRENT APPLICATIONS

SEE KNFILTERS.COM FOR CARB STATUS ON EACH PART FOR A SPECIFIC VEHICLE

Congratulations, you have purchased the finest custom air cleaner that money can buy. With proper care, this filter will last 1 million miles or more. This custom air cleaner replaces the stock air cleaner assembly. The following procedure **MUST** be followed to ensure a proper fit and seal of the custom air cleaner.

TOOLS NEEDED:

Ratchet
7/16" socket
T27 TORX
Flat Blade Screw driver
5/16" allen
3/16" allen



PARTS LIST:

Description	Qty.	Part #
A Bolt; 1/4-20 X 1/2 Button, SS	6	07706
B O-Ring; 9/16" ID. .10 Thick	4	07761
C 2ML, Medium Strength, Blue	1	482
D Back Plate; RK-3941	1	01914
E Bolt; breather RK-3941, 4340	2	22234
F Spacer; STL .380" OD X 1.5"L	3	06411-1
G Velocity Stack; H/D Touring	1	09255
H Screw; 1/4-20 X 3/4 SOC. HD.	3	07731
I Air Filter Element	1	E-3983E

If you need any assistance please call 1-800-858-3333 to speak with a representative in our Customer Service Center before returning the product.

NOTE: FAILURE TO FOLLOW INSTALLATION INSTRUCTIONS AND NOT USING THE PROVIDED HARDWARE MAY DAMAGE THE INTAKE TUBE, THROTTLE BODY AND ENGINE.

TO START:

1. Turn off the ignition and disconnect the negative battery cable.



2. Remove the decorative engine badge from the bonnet.

NOTE: It is held on with Velcro, a small screw driver may be helpful to pry it off.



3. Remove the bolt that secures the bonnet to the air filter and then remove the bonnet.



4. Remove the three bolts that secure the bonnet mounting bracket and air filter, and then remove the bracket and air filter from the vehicle.



5. Remove the two breather bolts that secure the filter base to the engine and then remove the filter base from the engine.

NOTE: K&N Engineering, Inc. recommends that customers do not discard the factory air intake components.

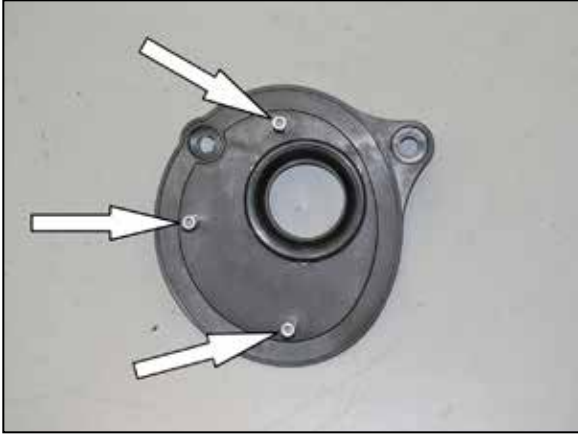


6. Install the provided venturi into the K&N® back plate as shown.

NOTE: Align the locating tab on the back side of the venturi with the notch on the back plate.

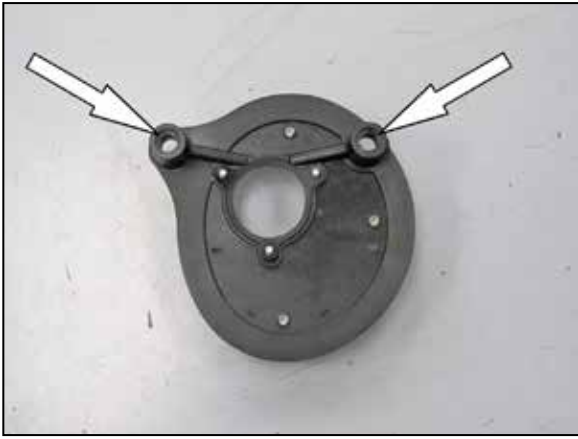


7. Install the three throttle body bolts supplied through the holes in the back plate and venturi.



8. Install the three stand-offs onto the back plate using the provided hardware.

NOTE: Place one drop of the supplied thread locker onto the threads of each bolt.



9. Install two of the supplied O-rings onto the back side of the back plate.

NOTE: A dab of grease can be used to help keep the O-rings in place while installing the unit to the vehicle.



10. Place one drop of thread locker onto the three throttle body bolts and then install the back plate onto the throttle body and tighten the throttle body bolts.



11. Install the two remaining O-rings into the back plate where shown.



12. Place one drop of thread locker onto the breather bolts and then install the breather bolts into the back plate as shown.



13. Install the K&N® air filter onto the back plate and secure with the provided hardware.

NOTE: Place one drop of thread locker onto the bolts before installing.



14. Install the factory bonnet onto the air filter and secure with the factory bolt. Install the decorative badge onto the bonnet.

NOTE: Place one drop of thread locker onto the bolt before installing.

15. Reconnect the vehicle's negative battery cable. Double check to make sure everything is tight and properly positioned before starting the vehicle.

16. It will be necessary for all K&N® custom air cleaners to be checked periodically for realignment, clearance and tightening of all connections. Failure to follow the above instructions or proper maintenance may void warranty.

ROAD TESTING:

1. Start the engine with the transmission in neutral. Listen for air leaks or odd noises. For air leaks secure hoses and connections. For odd noises, find cause and repair before proceeding. This kit will function identically to the factory system except for being louder and much more responsive.

2. Test ride the vehicle. Listen for odd noises or rattles and fix as necessary.

3. If road test is fine, you can now enjoy the added power and performance from your kit.

4. K&N Engineering, Inc., requires cleaning the intake system's air filter element every 50,000 miles. When used in dusty or off-road environments, our filters will require cleaning more often. We recommend that you visually inspect your filter once every 25,000 miles to determine if the screen is still visible. When the screen is no longer visible some place on the filter element, it is time to clean it. To clean and re-oil, purchase our filter Recharger® service kit, part number 99-5050 or 99-5000 and follow the easy instructions.