



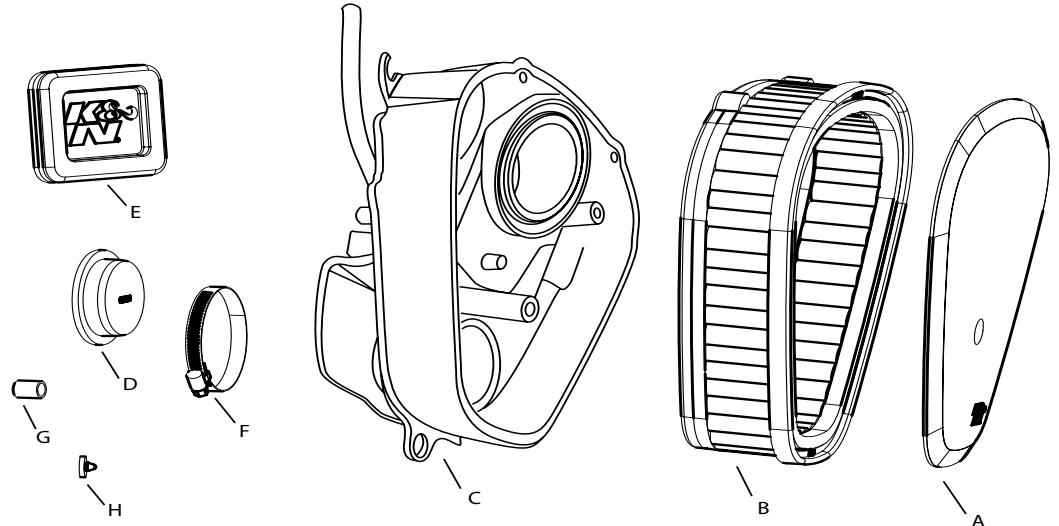
INSTALLATION INSTRUCTIONS

Part Number: RK-3905-1, RK-3915-1, RK-3925-1

Congratulations, you have purchased the finest Custom Air Cleaner that money can buy. With proper care, this assembly can last many seasons. This Custom Air Cleaner replaces the stock air cleaner assembly. Due to the high volume of air intake, you **MUST** use a carburetor recalibration kit. The following procedure **MUST** be followed to ensure a proper fit and seal of the Custom Air Cleaner.

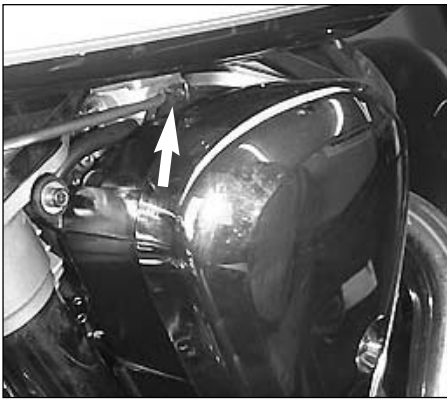
Parts List:

Description	Qty.
A Outer Plate	1
B Air filter	1
C Air Cleaner Housing	Stock
D Plug; Round	1
E Plug; Square	1
F Hose Clamp; #32 mini STL	1
G Cap Plug; 5/16"ID, 1/2"L	1
H Rubber Plug	1
Products sold separately	
Replacement Air Filter	E-3495
Precharger® Wrap	E-3495PK



Note: 1999-2003 model air box shown; components E and H are used on 2004-2006 models.

INSTALLATION



1. Loosen the carburetor hose clamp.



4. Remove the two screws from the back of the air box.



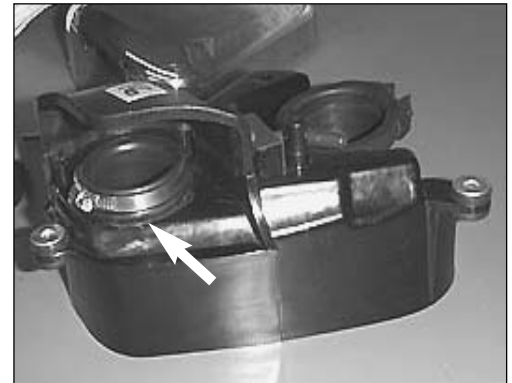
7. Remove the air filter and breather hose.
Note: The breather hose will not be reinstalled.



2. Remove the three air cleaner housing mounting bolts (two on top of the assembly and one on the bottom).



5. Remove the center bolt from the outer cover and remove the cover.



8. On 1999-2003 models install the supplied hose clamp over the air intake. Make sure the clamp is loose.



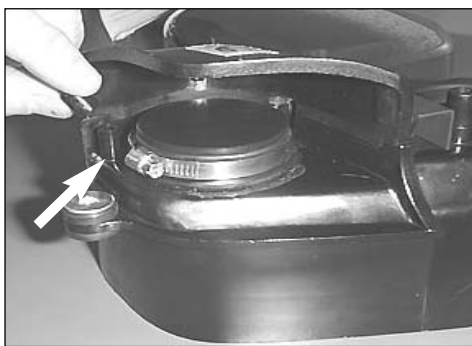
3. Remove the air cleaner housing and disconnect the two breather hoses from the rear of the housing.



6. Remove the two screws retaining the stock air filter.



9. On the 1999-2003 models install the supplied round intake plug. Securely tighten the hose clamp.



10. On the 1999-2003 models install the supplied cap plug onto the water drain next to the intake.



11. On the 2004-2007 models install the plug into the water drain hole on the bottom of the air cleaner housing. **Note:** The drain plug is next to the intake opening.

12. On the 2004-2007 models remove the duct from the intake opening on the air cleaner housing.



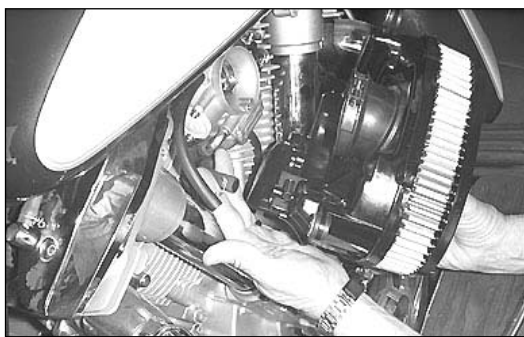
13. On the 2004-2007 models install the square intake plug into the air cleaner housing. **Note:** It may help to slightly bend the intake plug while installing it.



14. Install the K&N air filter onto the air cleaner housing perimeter making sure it is completely seated.



15. Install the outer cover onto the K&N air filter and make sure it is completely seated. Tighten the center screw. **Note:** Do not over tighten or you could crush the air filter.



16. Reconnect the breather hoses that were removed in step 3.



17. Reinstall the air cleaner housing onto the carburetor making sure the intake tube is completely seated on the carburetor flange.



18. Reinstall the three air cleaner housing mounting bolts that were removed in step 2 and tighten completely.

19. Tighten the carburetor hose clamp that was loosened in step 1.