



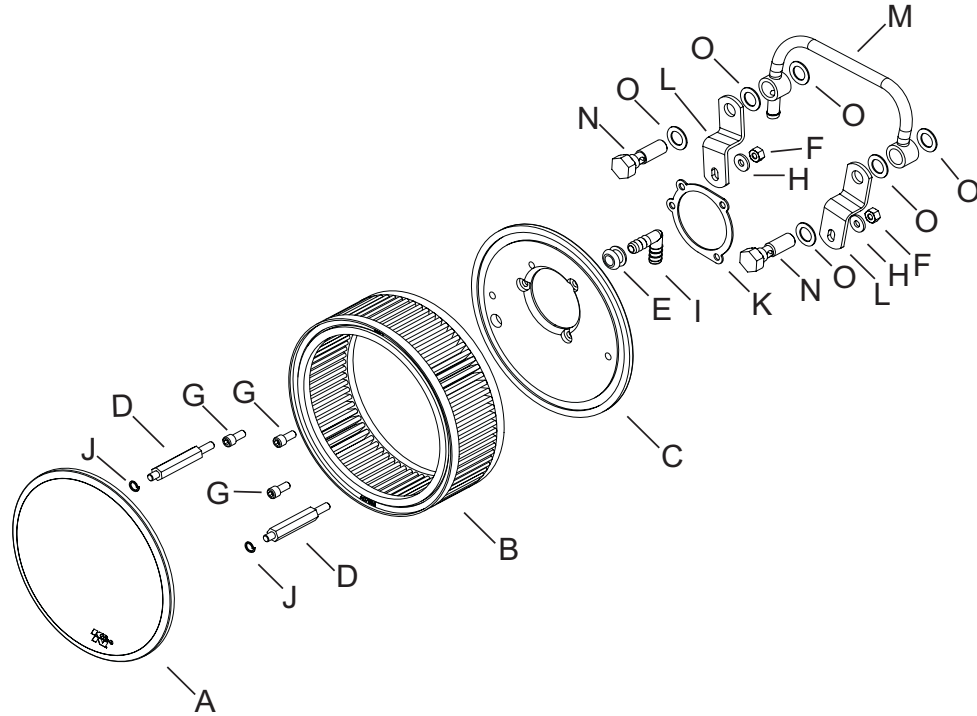
# INSTALLATION INSTRUCTIONS

Part Number: Sportster, Round; RK-3903, RK-3913, RK-3923

Congratulations, you have purchased the finest [air filter](#) that money can buy. With proper care, this filter can last many seasons. This filter is a direct replacement for the stock air filter, and no modifications will be required. However the following procedure **MUST** be followed to ensure a proper fit and seal of the K&N Filtercharger®.

## PARTS LIST:

Description	Qty.
A Front Plate	1
B Filter Element	1
C Back Plate	1
(KRK3903)	
D Stud; 2.625 HX, BL/OX	2
E Grommet; .750 OD, .375 ID	1
F Nut; 1/4-28, ZINC	2
G Bolt; 1/4-20 x 1/2 Socket Head	3
H Washer; 5/8"OD x 1/4"OD	2
I Plastic Vent; 90 Deg.	1
J Washer; 1/4" lock, ZN	2
K Gasket; Keihin (82924)	1
L Bracket	2
M Breather Tube	1
N Breather Bolt	2
O Washer; 7/8"OD x 1/2"ID	2
(Included but not needed)	
Washer; .422"OD x 1/4" ID, lock	2
Bolt; 1/4-20 Hex Head	2



## INSTALLATION

1. Completely remove the stock air filter assembly.
  2. Install the supplied rubber grommet into the large hole in the back plate and push the 90 degree plastic vent into the grommet. A little WD-40 may help.
  3. Following the illustration (Fig. 1), assemble the breather tube on the heads. **DO NOT TIGHTEN YET.**  
**NOTE:** It may be necessary to mount the tube opposite of the way shown for clearance of the gas tank.
  4. Using the socket head bolts and the gasket provided, mount the back plate to the carburetor and tighten the bolts. (Fig. 2)
  5. Install the lock washers on the short threaded end of the standoffs. Put grease or WD-40 on the threads and screw them into the front plate and tighten securely. (Fig. 3)
  6. Place the K&N Filter on the front plate being sure it is seated properly all the way around. Line the standoffs with the back plate holes and push the front plate and filter into position. Be sure when the studs come through the back plate that they are lined up with the two brackets from the breather tube. (Fig. 4)
  7. Install the nuts and flat washers onto the studs so they are secured to the brackets. Tighten securely.
  8. Completely tighten the breather bolts in the heads. (Fig. 5)
- NOTE:** On 1992 and earlier models that have a breather hose coming from the crankcase, you can install K&N Crankcase Vent Filter 62-1000 in this hose.

**THESE INSTRUCTIONS MUST BE FOLLOWED EVERY TIME THE FILTER IS SERVICED, OTHERWISE THE FILTER MAY NOT SEAL, AND DAMAGE TO THE ENGINE COULD RESULT.**

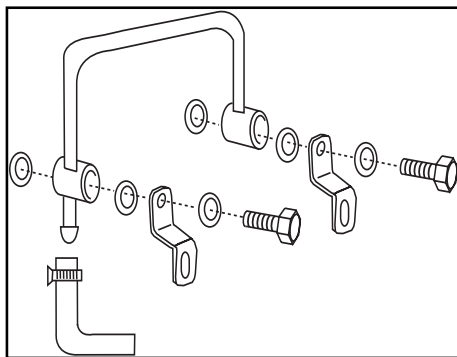


Fig. 1



Fig. 2

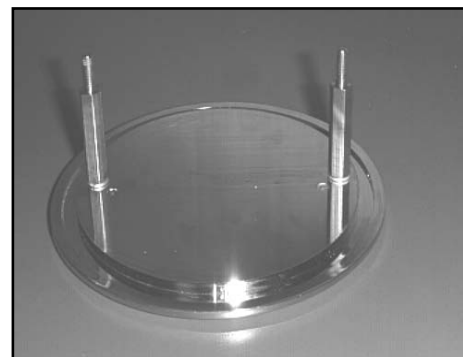


Fig. 3

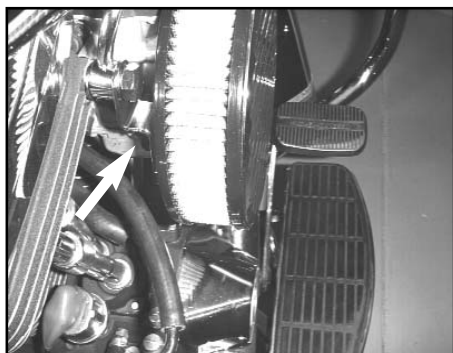


Fig. 4

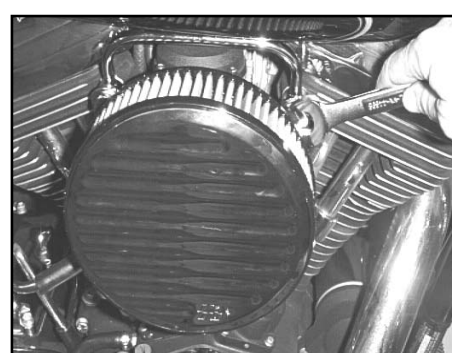


Fig. 5