

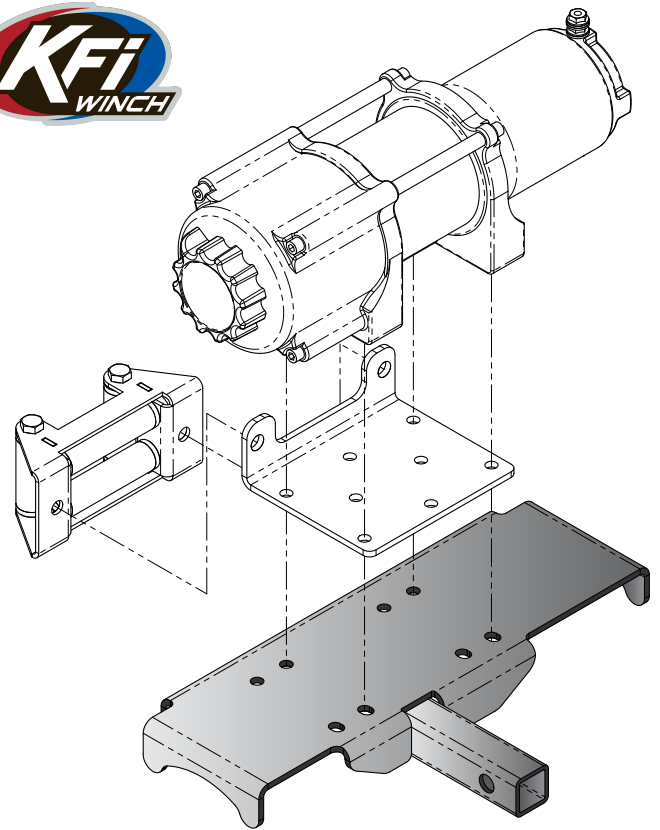
# 1-1/4" RECEIVER WINCH MOUNT

Winch Mount                      PART # 100615  
Hardware Kit: HK-031



## Kit Components:

Qty.	Part Description
1.....	Receiver Mount
1.....	UTV Mini Rocker Kit (HK-031)



“Figure 1” 4 Hole Winch Install

## 4-HOLE MOUNTED WINCH INSTALLATION INSTRUCTIONS:

1. Mount your roller fairlead or hawse to the fairlead bracket supplied with your winch using hardware from your winch kit.
2. Mount your winch to the multi-mount using the hardware that was supplied with your winch kit as shown in Figure 1. Use either hole pattern to best center your winch on the mount, making sure the motor or clutch does not overhang the mount plate.
3. Using the instructions provided with your winch and/or the instructions provided with your multi-mount wiring kit, wire accordingly. For Quick-Connects, use the shortest lead to the winch.

## 2-HOLE MOUNTED WINCH INSTALLATION INSTRUCTIONS:

1. Mount your roller fairlead or hawse to the fairlead bracket supplied with your winch using hardware from your winch kit.
2. Mount your winch to the multi-mount using the hardware that was supplied with your winch kit as shown in Figure 2. Use any hole pattern to best center your winch on the mount, making sure the motor or clutch does not overhang the mount plate.

*NOTE: Some 2-hole mounted winches may have the motor on the opposite side as shown in Figure 2. You will need to rotate your winch and run the cable all the way out and then re-spool the cable back on so that the cable comes off the bottom of the spool. With some winches there may also be a cable keeper that can either be removed or be reversed to the opposite side.*

3. Using the instructions provided with your winch and/or the instructions provided with your multi-mount wiring kit, wire accordingly. For Quick-Connects, use the shortest lead to the winch.

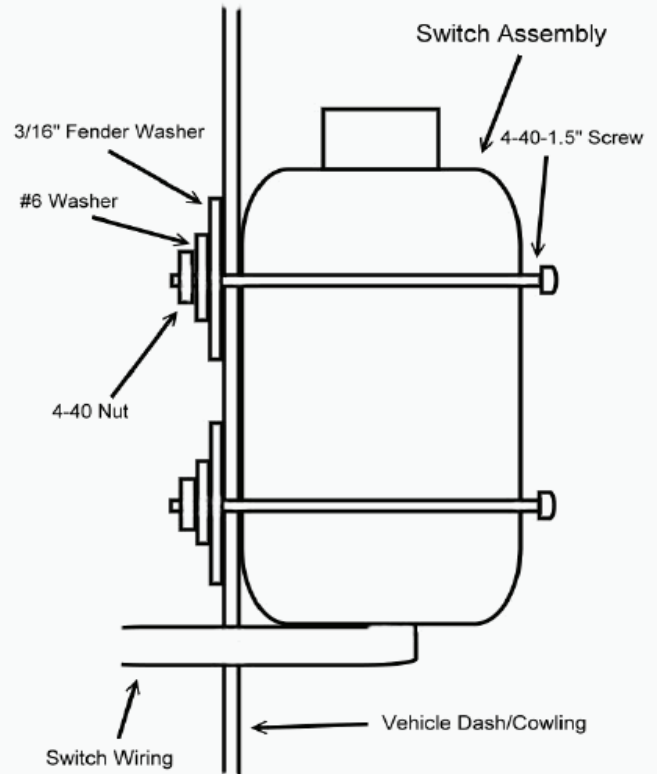


“Figure 2” 2 Hole Winch Install

See Page 2 for mini rocker mounting instructions.

## Mini-Rocker Switch Mounting

1. Find a location that suits your purposes for the mini-rocker switch and hand remote.
2. Mini-Rocker Switch Hardware kit. This allows you to mount your usual handle bar mounted switch to almost any desired location.
  - a. Remove handlebar mount hardware from the switch.
  - b. Locate desired mounting location
  - c. Mark and drill two switch holes through dash using switch housing as a template
  - d. Drill a 3rd hole for the switch wiring.
  - e. Assemble per Figure 4.



### Optional Switch Mount Instructions\*

*"Figure 4" Mini-Rocker Mounting*

