

LED Motorcycle Headlight - Model 93 M

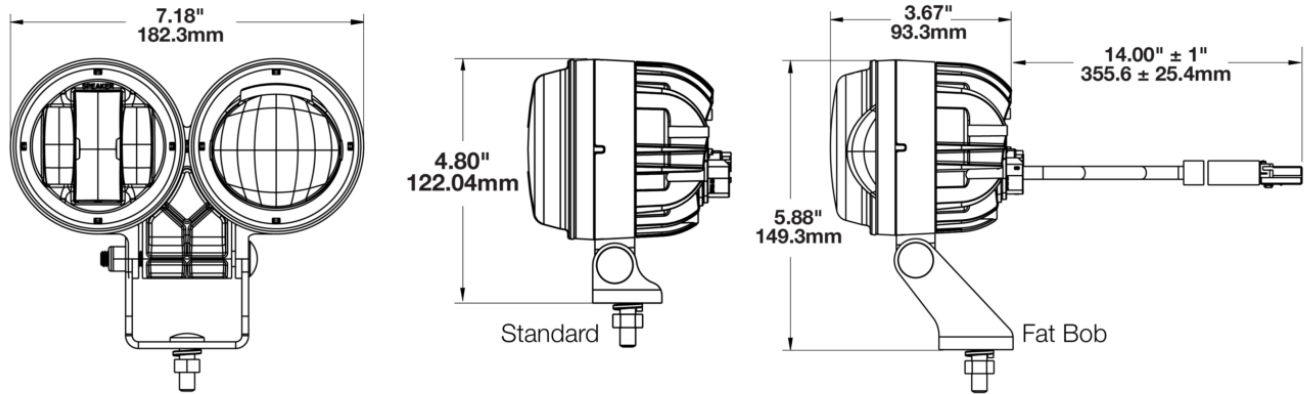
PRODUCT INFORMATION

Description	12-24V DOT/ECE LED High & Low Beam Headlight Kit with Black Inner Bezel
Height	125.00 mm / 4.92 in
Width	90.00 mm / 3.54 in
Depth	95.00 mm / 3.74 in
Shape	Round
Outer Lens Material	Polycarbonate
Outer Lens Color	Clear
Housing Material	Die Cast Aluminum
Housing Color	Black
Bezel Color	Black
Mounting Hardware Description	Bracket
Mounting Type	Pedestal
Minimum Operating Temperature	-40 °C / -40 °F
Maximum Operating Temperature	65 °C / 149 °F
Connector or Wiring	Deutsch DT04-2P, DT04-3P
Mating Connector	Deutsch DT06-2S, DT06-3S
Product Weight	2.95 lbs / 1.34 kgs
Shipping Weight	2.95 lbs / 1.34 kgs
Additional Information	The high beam is classified as an FMVSS UB6. It requires that the low beam is powered at the same time as the high beam to be compliant for use on the road in the USA.



LED Motorcycle Headlight - Model 93 M

PRODUCT DIMENSIONS



ELECTRICAL SPECIFICATIONS

Input Voltage	12-24V DC
Operating Voltage	10.5-38V DC
Transient Spike Protection	150V Peak @ 1 HZ-100 Pulses
Black Wire	Ground
Yellow Wire	High Beam
White Wire	Low Beam
Red Wire	Front Position
Current Draw	1.97A @ 12V DC (Low Beam) 0.98A @ 24V DC (Low Beam) 0.80A @ 12V DC (High Beam) 0.40A @ 24V DC (High Beam) 0.40A @ 12V DC (Front Position) 0.20A @ 24V DC (Front Position)

LED Motorcycle Headlight - Model 93 M

REGULATORY STANDARDS COMPLIANCE



Buy America Standards

ECE Reg 113

FMVSS 108 Table XIX

IEC IP67

Tested to ECE Reg. 10
(Radiated Emissions only)

ECE Reg 112

Eco Friendly

FMVSS 108 Table XVIII

IEC IP69K

PHOTOMETRIC SPECIFICATIONS

Raw Lumen Output 1,910 (Low Beam), 630 (High Beam)

Effective Lumen Output 575 (Low Beam), 230 (High Beam)

Candela Output 18,000 (Low Beam), 45,000 (High Beam)

Nominal LED Color Temperature 5000 K

Beam Pattern(s) Forward Lighting - High Beam (DOT/ECE)
Forward Lighting - Low Beam (DOT/ECE)

APPLICATIONS

