

# Adaptive LED Headlights – Model 8791 Adaptive 2

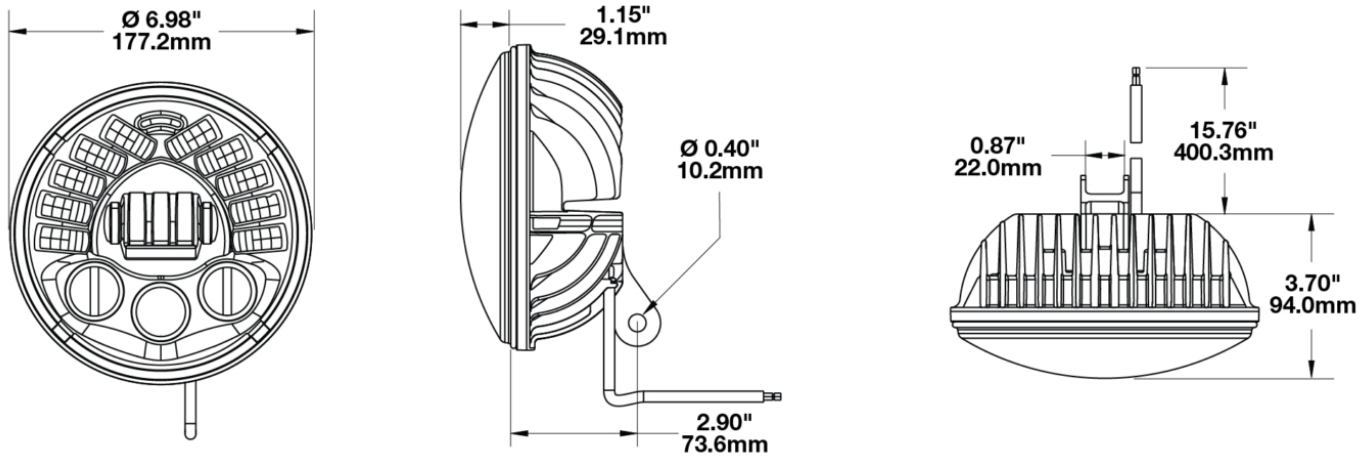
## PRODUCT INFORMATION

<b>Description</b>	12V DOT/ECE LED High and Low Beam Adaptive Pedestal Headlight with Chrome Inner Bezel
<b>Height</b>	180.00 mm / 7.09 in
<b>Width</b>	180.00 mm / 7.09 in
<b>Depth</b>	94.00 mm / 3.7 in
<b>Shape</b>	Round
<b>Outer Lens Material</b>	Polycarbonate
<b>Outer Lens Color</b>	Clear
<b>Housing Material</b>	Aluminum
<b>Housing Color</b>	Black
<b>Bezel Color</b>	Chrome
<b>Mounting Hardware Description</b>	0.75" Pedestal
<b>Retrofits</b>	Pedestal 7" Round Headlights (PAR56)
<b>Minimum Operating Temperature</b>	-40 °C / -40 °F
<b>Maximum Operating Temperature</b>	65 °C / 149 °F
<b>Connector or Wiring</b>	Bare Leads
<b>Product Weight</b>	3.92 lbs / 1.78 kgs
<b>Shipping Weight</b>	3.92 lbs / 1.78 kgs



# Adaptive LED Headlights – Model 8791 Adaptive 2

## PRODUCT DIMENSIONS



## ELECTRICAL SPECIFICATIONS

<b>Input Voltage</b>	12V DC
<b>Operating Voltage</b>	9-16V DC
<b>Transient Spike Protection</b>	150V Peak @ 1 HZ-100 Pulses
<b>Black Wire</b>	Ground
<b>White Wire</b>	High Beam
<b>Yellow Wire</b>	Low Beam
<b>Red Wire</b>	Front Position
<b>Current Draw</b>	2.9A @ 13.5V DC (High Beam)
	1.9A @ 13.5V DC (Low Beam)
	0.092A @ 13.5V DC (Front Position)
	3.5A @ 13.5V DC (Low Beam at Full Lean)
	4.5A @ 13.5V DC (High Beam at Full Lean)

# Adaptive LED Headlights – Model 8791 Adaptive 2

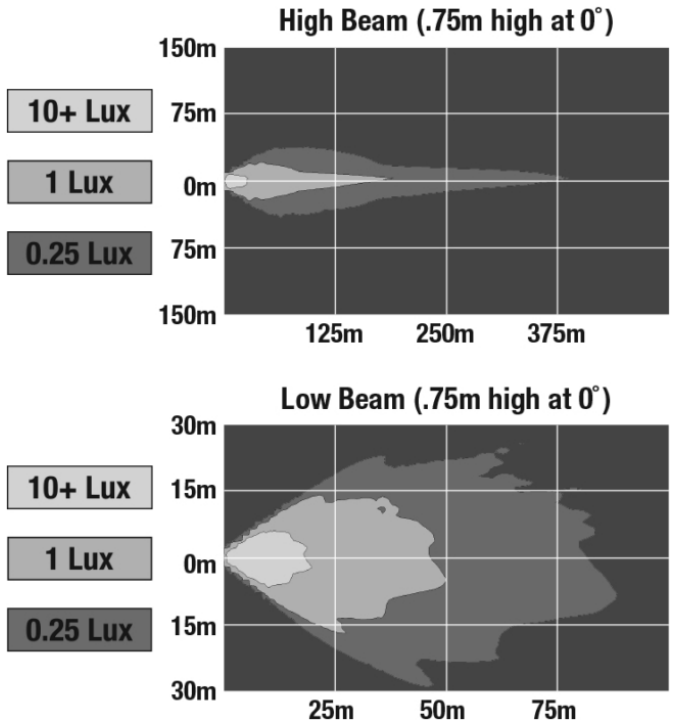
## REGULATORY STANDARDS COMPLIANCE



Buy America Standards	ECE Reg 113
ECE Reg 50	Eco Friendly
FMVSS 108 Table XX	IEC IP67
Tested to ECE Reg. 10 (Radiated Emissions only)	

## PHOTOMETRIC SPECIFICATIONS

<b>Raw Lumen Output</b>	2,250 (High Beam); 2025 (Low Beam)
<b>Effective Lumen Output</b>	1,150 (High Beam); 850 (Low Beam)
<b>Candela Output</b>	48,000 (High Beam); 11,500 (Low Beam)
<b>Nominal LED Color Temperature</b>	5000 K
<b>Beam Pattern(s)</b>	Forward Lighting - High Beam (DOT/ECE) Forward Lighting - Low Beam (DOT/ECE) Signalization - Front Position



# Adaptive LED Headlights – Model 8791 Adaptive 2

## APPLICATIONS

---



## ADDITIONAL INFORMATION

---

Improvements over the original Adaptive Series

The NEW Adaptive 2 Series headlights have been improved to feature Adaptive technology when using the high beam, in addition to the low beam. Providing ditch-to-ditch lighting to eliminate dark corners on sharp turns and a punch of light 1,500 feet down the road to give you a safer and more confident ride.

## RELATED PRODUCTS

---



**Part Number**

**055071**

12V DOT/ECE LED High  
and Low Beam  
Adaptive Pedestal  
Headlight with Black  
Inner Bezel