

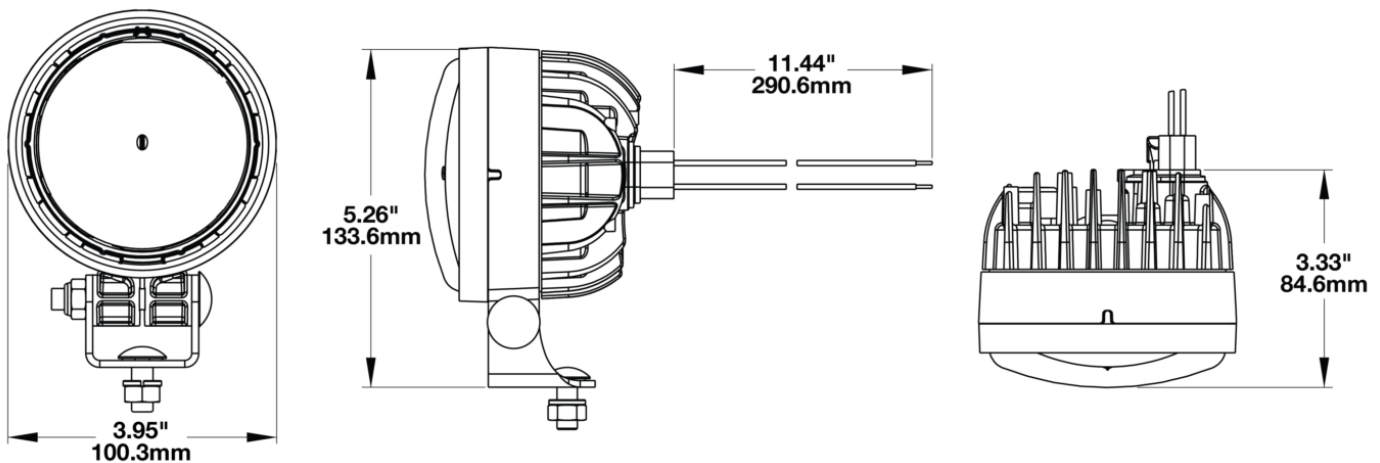
# Bi-LED Headlight - Model 97

## PRODUCT INFORMATION

<b>Description</b>	12-24V DOT/ECE High & Low Beam Headlight (Reg 113)
<b>Height</b>	100.00 mm / 3.94 in
<b>Width</b>	100.00 mm / 3.94 in
<b>Depth</b>	85.00 mm / 3.35 in
<b>Shape</b>	Round
<b>Outer Lens Material</b>	Polycarbonate
<b>Outer Lens Color</b>	Clear
<b>Housing Material</b>	Aluminum
<b>Housing Color</b>	Black
<b>Bezel Color</b>	Black
<b>Minimum Operating Temperature</b>	-40 °C / -40 °F
<b>Maximum Operating Temperature</b>	65 °C / 149 °F
<b>Connector or Wiring</b>	Deutsch DT04-4P
<b>Mating Connector</b>	Deutsch DT06-4S
<b>Product Weight</b>	1.85 lbs / 0.84 kgs
<b>Shipping Weight</b>	1.85 lbs / 0.84 kgs



## PRODUCT DIMENSIONS



# Bi-LED Headlight - Model 97

## ELECTRICAL SPECIFICATIONS

<b>Input Voltage</b>	12-24V DC
<b>Operating Voltage</b>	10-32V DC
<b>Transient Spike Protection</b>	150V Peak @ 1 HZ-100 Pulses
<b>Black Wire</b>	Ground
<b>Yellow Wire</b>	Low Beam
<b>White Wire</b>	High Beam
<b>Red Wire</b>	Front Position
<b>Current Draw</b>	1.5A @ 12V DC (Low Beam) 1.8A @ 12V DC (High Beam) 0.1A @ 12V DC (Front Position) 0.8A @ 24V DC (Low Beam) 1.0A @ 24V DC (High Beam) 0.06A @ 24V DC (Front Position)

## REGULATORY STANDARDS COMPLIANCE

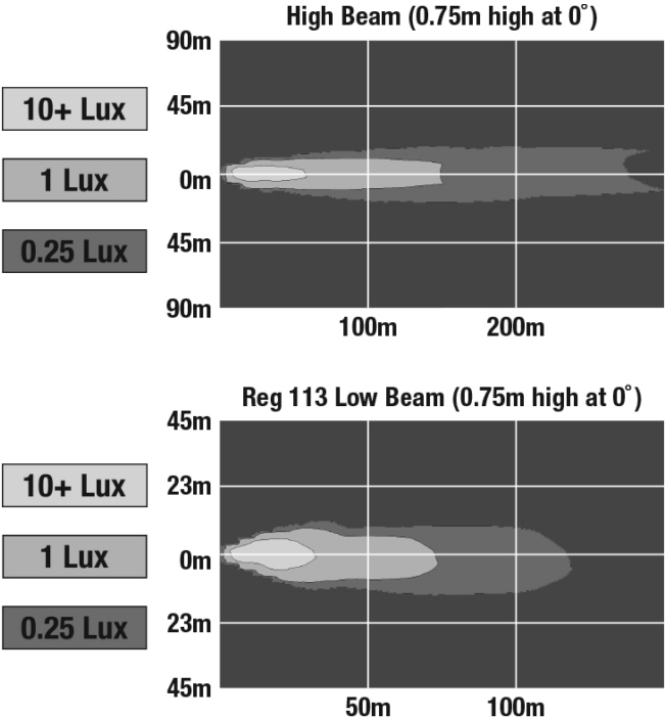


Buy America Standards	ECE Reg 10
ECE Reg 113	ECE Reg 50
Eco Friendly	FMVSS 108 Table XX
IEC IP67	IEC IP69K
Tested to ECE Reg. 10 (Radiated Emissions only)	

# Bi-LED Headlight - Model 97

## PHOTOMETRIC SPECIFICATIONS

<b>Raw Lumen Output</b>	1,800 (High Beam); 1,600 (Low Beam)
<b>Effective Lumen Output</b>	497 (High Beam); 321 (Low Beam)
<b>Candela Output</b>	41,800 (High Beam); 14,600 (Low Beam)
<b>Nominal LED Color Temperature</b>	5000 K
<b>Beam Pattern(s)</b>	Forward Lighting - High Beam (DOT/ECE) Forward Lighting - Low Beam (DOT/ECE) Signalization - Front Position



## APPLICATIONS

