

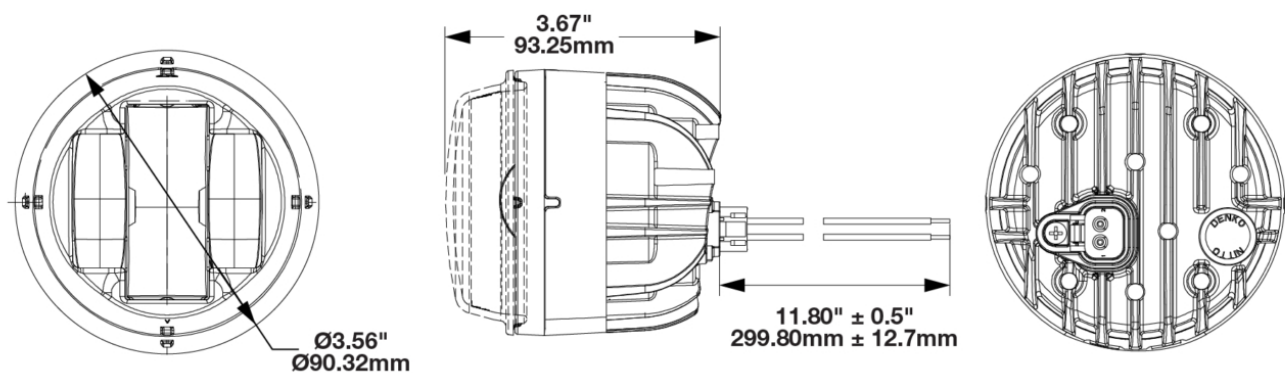
90mm LED Lights - Model 93

PRODUCT INFORMATION

Description	12-24V DOT/ECE LED High Beam Headlight with Front Position
Height	90.00 mm / 3.54 in
Width	90.00 mm / 3.54 in
Depth	95.00 mm / 3.74 in
Shape	Round
Outer Lens Material	Polycarbonate
Outer Lens Color	Clear
Housing Material	Die-Cast Aluminum
Housing Color	Black
Bezel Color	Black
Minimum Operating Temperature	-40 °C / -40 °F
Maximum Operating Temperature	65 °C / 149 °F
Connector or Wiring	Deutsch DT04-3P
Mating Connector	Deutsch DT06-3S
Product Weight	1.22 lbs / 0.55 kgs
Shipping Weight	1.44 lbs / 0.65 kgs



PRODUCT DIMENSIONS



90mm LED Lights - Model 93

ELECTRICAL SPECIFICATIONS

Input Voltage	12-24V DC
Operating Voltage	10-31V DC
Transient Spike Protection	150V Peak @ 1 HZ-100 Pulses
Black Wire	Ground
White Wire	High Beam
Yellow Wire	Front Position
Current Draw	0.80A @ 12V DC (High Beam) 0.40A @ 24V DC (High Beam) 0.40A @ 12V DC (Front Position) 0.20A @ 24V DC (Front Position)

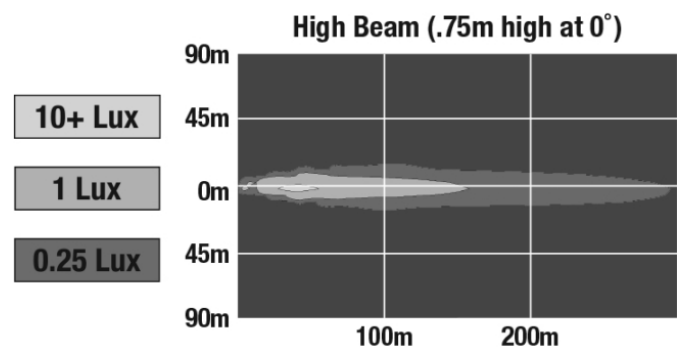
REGULATORY STANDARDS COMPLIANCE



Buy America Standards	ECE Reg 112
ECE Reg 7	Eco Friendly
FMVSS 108 Table XVIII	IEC IP69K

PHOTOMETRIC SPECIFICATIONS

Raw Lumen Output	630
Effective Lumen Output	230
Candela Output	45,000
Nominal LED Color Temperature	5000 K
Beam Pattern(s)	Forward Lighting - High Beam (DOT/ECE) Signalization - Front Position



90mm LED Lights - Model 93

APPLICATIONS



ADDITIONAL INFORMATION

This is a single light, including (1) lamp and mounting hardware.

Headlight must be securely mounted and properly aimed such that the beam pattern cut off line complies with all applicable regulations. If you are not familiar with the legal requirements for aiming your headlights, please see a professional service provider. We recommend that headlights are aimed with a headlight aiming system for proper alignment.

This is an FMVSS UB6 high beam. It requires that the low beam is powered at the same time as the high beam to be compliant for use on the road.

90mm LED Lights - Model 93

RELATED PRODUCTS



Part Number
0347941
12-24V SAE/ECE LED
Turn Signal with DRL
Function



Part Number
0553071
12-24V DOT/ECE LED
High Beam Headlight



Part Number
0553081
12-24V DOT/ECE Reg
113 LED Symmetrical
Low Beam Headlight



Part Number
0553091
12-24V DOT/ECE Reg
112 LHT LED Low
Beam Headlight



Part Number
0553101
12-24V DOT/ECE Reg
112 RHT LED Low
Beam Headlight



Part Number
0556701
12-24V SAE/ECE LED
Fog Light