

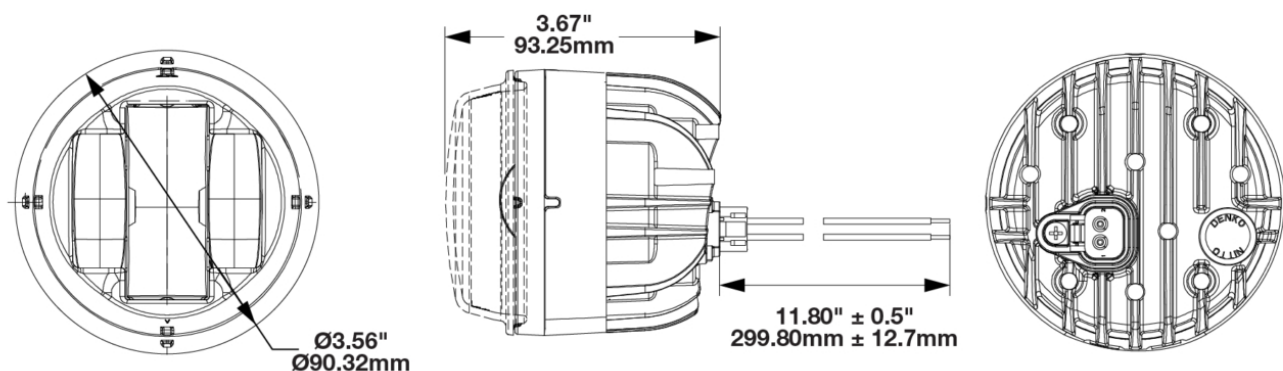
90mm LED Lights - Model 93

PRODUCT INFORMATION

Description	12-24V DOT/ECE Reg 113 LED Symmetrical Low Beam Headlight
Height	90.00 mm / 3.54 in
Width	90.00 mm / 3.54 in
Depth	95.00 mm / 3.74 in
Shape	Round
Outer Lens Material	Polycarbonate
Outer Lens Color	Clear
Housing Material	Die-Cast Aluminum
Housing Color	Black
Bezel Color	Black
Minimum Operating Temperature	-40 °C / -40 °F
Maximum Operating Temperature	65 °C / 149 °F
Connector or Wiring	Deutsch DT04-2P
Mating Connector	Deutsch DT06-2S
Product Weight	1.19 lbs / 0.54 kgs
Shipping Weight	1.37 lbs / 0.62 kgs



PRODUCT DIMENSIONS



90mm LED Lights - Model 93

ELECTRICAL SPECIFICATIONS

Input Voltage	12-24V DC
Operating Voltage	10-31V DC
Transient Spike Protection	150V Peak @ 1 HZ-100 Pulses
Red Wire	Positive
Black Wire	Negative
Current Draw	1.97A @ 12V DC (Low Beam) 0.98A @ 24V DC (Low Beam)

REGULATORY STANDARDS COMPLIANCE

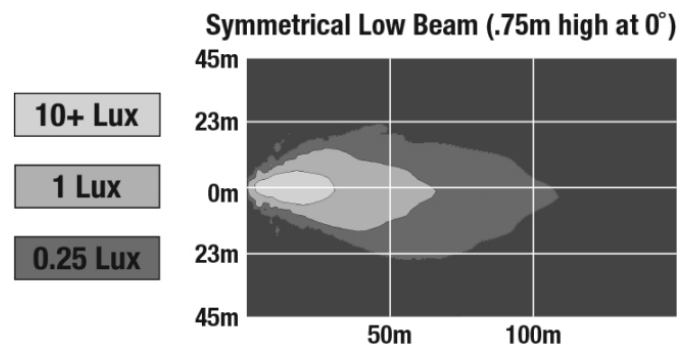


Buy America Standards
Eco Friendly
IEC IP69K

ECE Reg 113
FMVSS 108 Table XIX

PHOTOMETRIC SPECIFICATIONS

Raw Lumen Output	1,910
Effective Lumen Output	575
Candela Output	18,000
Nominal LED Color Temperature	5000 K
Beam Pattern(s)	Forward Lighting - Driving Forward Lighting - Low Beam (DOT)



90mm LED Lights - Model 93

APPLICATIONS



ADDITIONAL INFORMATION

This is a single light, including (1) lamp and mounting hardware.

Headlight must be securely mounted and properly aimed such that the beam pattern cut off line complies with all applicable regulations. If you are not familiar with the legal requirements for aiming your headlights, please see a professional service provider. We recommend that headlights are aimed with a headlight aiming system for proper alignment.

RELATED PRODUCTS



Part Number
0347941

12-24V SAE/ECE LED
Turn Signal with DRL
Function



Part Number
0553071

12-24V DOT/ECE LED
High Beam Headlight



Part Number
0553091

12-24V DOT/ECE Reg
112 LHT LED Low
Beam Headlight



Part Number
0553101

12-24V DOT/ECE Reg
112 RHT LED Low
Beam Headlight



Part Number
0554381

12-24V DOT/ECE LED
High Beam Headlight
with Front Position



Part Number
0556701

12-24V SAE/ECE LED
Fog Light