

Reflector LED Fog Lights - Model 6025

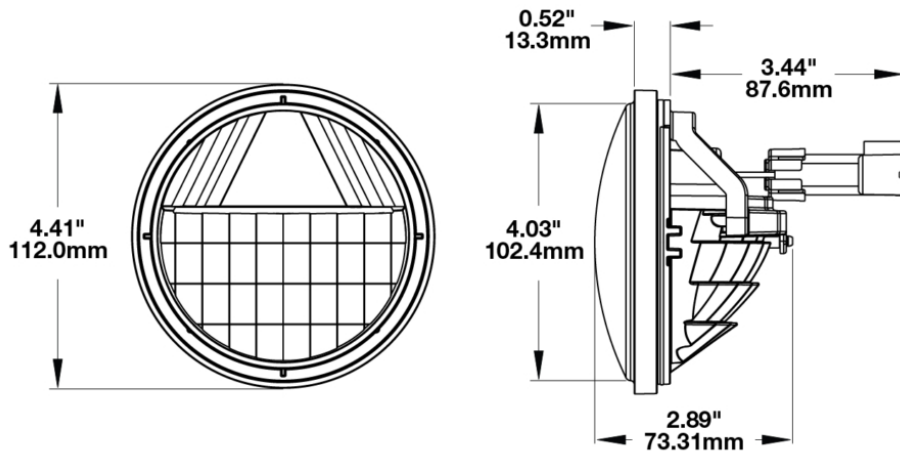
PRODUCT INFORMATION

Description	12V SAE/ECE RHT & LHT Reflector Fog Light
Height	114.00 mm / 4.49 in
Width	114.00 mm / 4.49 in
Depth	74.00 mm / 2.91 in
Shape	Round
Outer Lens Material	Polycarbonate
Outer Lens Color	Clear
Housing Material	Polycarbonate
Housing Color	Black
Retrofits	Bucket 4.5" Round Fog Lights (PAR36)
Minimum Operating Temperature	-40 °C / -40 °F
Maximum Operating Temperature	65 °C / 149 °F
Connector or Wiring	Packard 12059450-B
Mating Connector	Packard #12124817
Product Weight	0.48 lbs / 0.22 kgs
Shipping Weight	0.64 lbs / 0.29 kgs
Additional Information	2 bare leads for direct wiring.



Reflector LED Fog Lights - Model 6025

PRODUCT DIMENSIONS



ELECTRICAL SPECIFICATIONS

Input Voltage	12V DC
Operating Voltage	9-16V DC
Red Wire	Positive
Black Wire	Negative
Current Draw	.83A @ 10V DC 0.7A @ 12V DC

REGULATORY STANDARDS COMPLIANCE



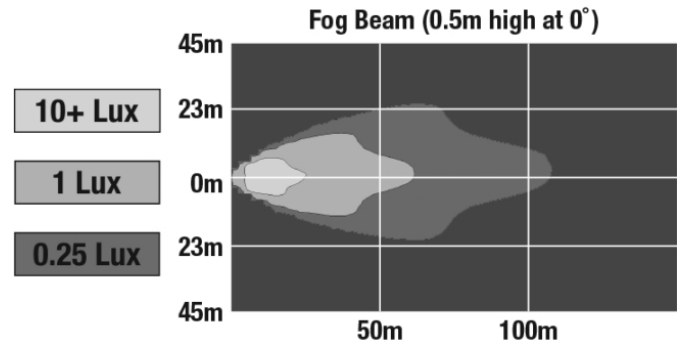
Buy America Standards
Eco Friendly
SAE J583

ECE Reg 19
IEC IP67
Tested to ECE Reg. 10
(Radiated Emissions only)

Reflector LED Fog Lights - Model 6025

PHOTOMETRIC SPECIFICATIONS

Raw Lumen Output	346
Effective Lumen Output	291
Candela Output	12,300
Nominal LED Color Temperature	5000 K
Beam Pattern(s)	Forward Lighting - Fog



APPLICATIONS



RELATED PRODUCTS



Part Number

0553023

12V SAE/ECE RHT &
LHT Reflector Fog Light
- 2 Light Kit