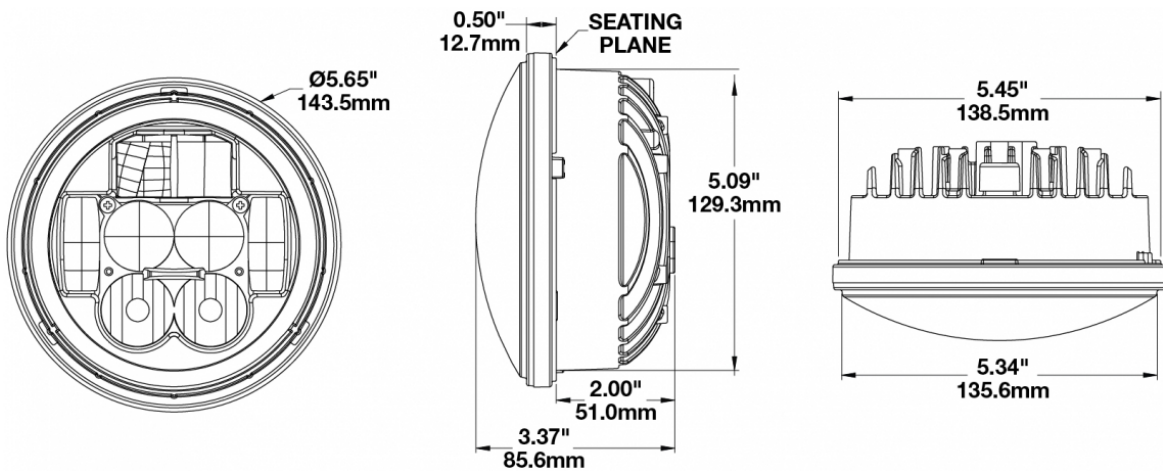




PRODUCT INFORMATION

Description	12-24V DOT/ECE LED RHT High & Low Beam Headlight with FP & DRL
Height	142.24 (mm) / 5.6 (in)
Width	142.24 (mm) / 5.6 (in)
Depth	86.36 (mm) / 3.4 (in)
Shape	Round
Outer Lens Material	Polycarbonate
Outer Lens Color	Clear
Housing Material	Die Cast Aluminum
Housing Color	Black
Bezel Color	N/A
Minimum Operating Temperature	-34 (°C) / -29.2 (°F)
Maximum Operating Temperature	49 (°C) / 120.2 (°F)
Connector or Wiring	Integral Connector in Housing simulating Delphi 12124107
Mating Connector	Delphi 12052848
Product Weight	1.76 (lbs) / 0.8 (kgs)
Shipping Weight	2.98 (lbs) / 1.35 (kgs)
Additional Information	Class B Light
Spec Sheet Printed	2016-09-16

PRODUCT DIMENSIONS



ELECTRICAL SPECIFICATIONS

Input Voltage	12-24 V DC
Operating Voltage	10-32 V DC
Transient Spike Protection	150V Peak @ 1 HZ-100 Pulses
Yellow Wire	Low Beam
White Wire	High Beam
Black Wire	Ground
Red Wire	Front Position
Purple Wire	DRL
Current Draw	2.20A @ 12V DC (Low Beam) 1.70A @ 14V DC (Low Beam) 1.10A @ 24V DC (Low Beam) 3.50A @ 12V DC (High Beam) 2.70A @ 14V DC (High Beam) 1.70A @ 24V DC (High Beam) 0.09A @ 12V DC (Front Position) 0.07A @ 14V DC (Front Position) 0.04A @ 24V DC (Front Position) 0.90A @ 12V DC (DRL) 0.68A @ 14V DC (DRL) 0.38A @ 24V DC (DRL)

REGULATORY STANDARDS COMPLIANCE

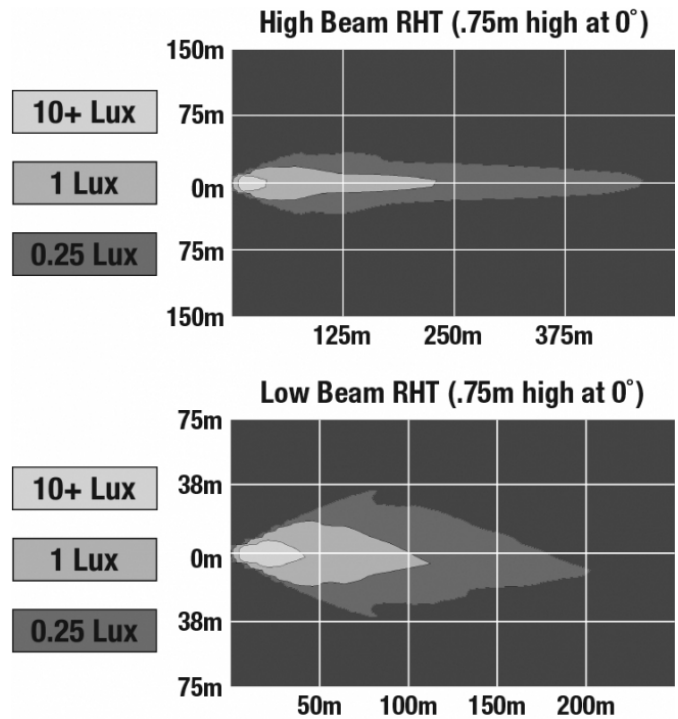


Buy America Standards
ECE Reg 7
Eco Friendly
FMVSS 108 Table XVIII
SAE J2087

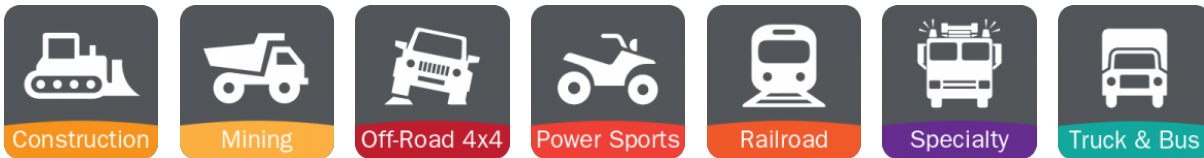
ECE Reg 112
ECE Reg 87
FMVSS 108 Table XIX
IEC IP67
SAE J222

PHOTOMETRIC SPECIFICATIONS

Raw Lumen Output	2,925 (High Beam); 2,025 (Low Beam)
Effective Lumen Output	1,000 (High Beam); 630 (Low Beam)
Candela Output	61,684 (High Beam); 19,162 (Low Beam)
Nominal LED Color Temperature	5000 (K)
Beam Pattern(s)	Forward Lighting - Daytime Running Light Forward Lighting - High Beam (DOT/ECE) Forward Lighting - Low Beam (DOT) Forward Lighting - Low Beam (ECE Right Hand) Signalization - Front Position



APPLICATIONS



ACCESSORIES



[Part Number 3157751](#)

**Double Ring Kit
Mounting Assembly for
LED Headlight Model
8630**



[Part Number 8200001](#)

**Single Ring Kit Mounting
Assembly for LED
Headlight Model 8630**

RELATED PRODUCTS



[Part Number 0549921](#)

**12-24V ECE LED LHT High
& Low Beam Headlight
with FP & DRL**



[Part Number 0550921](#)

**12-24V DOT LED High &
Low Beam Headlight**