

A Division of Thiessen Products, Inc.

INSTRUCTION SHEET FOR TOOL #899

SURFACE TEMPERATURE INDICATING STRIPS

This product was designed to help prevent overheating metal shafts, cases, and wheels in most cases. Steel or aluminum will distort or lose its hardness if overheated. These strips are used to prevent any damage to the integrity of the material you are working with.

**NOTE: PLEASE READ ALL INSTRUCTIONS COMPLETELY BEFORE PERFORMING ANY WORK!
IF YOU DO NOT KNOW WHAT YOU ARE DOING, DO NOT DO IT!**

ALWAYS WEAR SAFETY GLASSES OR OTHER FACE AND EYE PROTECTION SUCH AS FULL FACE SHIELD. JIMS® IS NOT RESPONSIBLE FOR DAMAGE, INJURY, OR YOUR WORK. JIMS® IS NOT RESPONSIBLE FOR THE QUALITY AND SAFETY OF YOUR WORK.

Make sure your work area is clean with no flammable items in the area and the room is well ventilated. Wear heat proof gloves when handling any hot metals and always have a fire extinguisher close by for safety sake.

These are some common uses for temperature indicating strips:

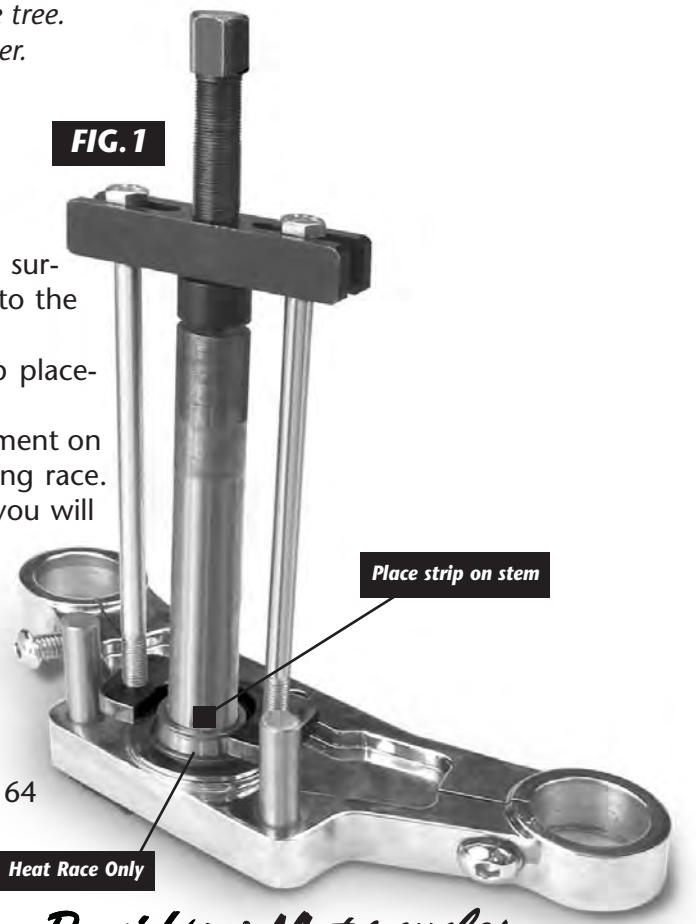
- Removing the main shaft race behind the clutch basket.
- Removing the lower bearing race off of the lower triple tree.
- Removing flywheel sprocket shaft bearing race or spacer.
- Removing a stubborn bearing from a wheel hub
- Removing main drive gear from a worn bearing.

Instructions for use:

1. Peel indicator strip from the release paper.
2. Apply to any clean, grease free steel or aluminum surface ensuring that the indicator strip has adhered to the surface.

Applying heat: An example of heat applied and strip placement is shown in **Fig 1**.

1. Apply heat to bearing race only. Notice strip placement on shaft is as close to race as possible without touching race. When applying heat, never direct heat at strip or you will get a false reading.
2. When heating up race, watch the strip to see if the center white block starts to turn to a black color. This means you are in the 210 degree heat range on the shaft and you need to stop heating and use puller tool to remove the race at this time. At that temperature, the race should come right off using the proper tool. Store strips in a cool place below 64 degrees Fahrenheit.



Performance Parts For Harley-Davidson Motorcycles

Looking for dependable motorcycle tools? Visit our website.