



A Division of Thiessen Products, Inc.

INSTRUCTION SHEET FOR TOOL No.740

JIMS VACUUM FED FORK FILLING TOOL

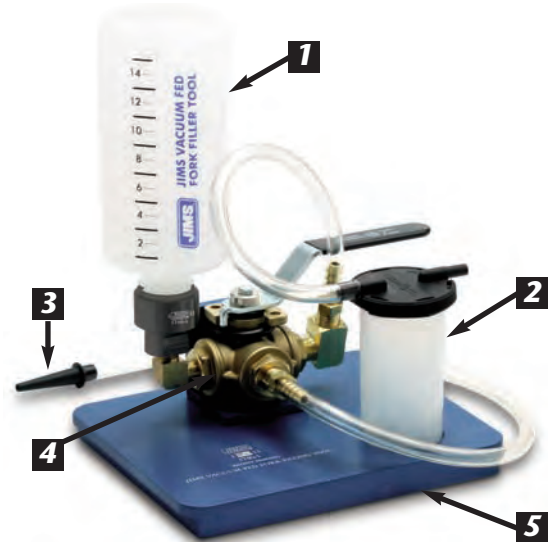
This time saving tool makes changing fork oil simple, especially on full fairing touring models.

Warning: Read all instructions before using this tool. If you are not sure of how to do the job, do not attempt. Take it to a qualified H-D repair shop.

Use safety glasses or a full face shield. Clean up any spilled fluids immediately. JIMS is not responsible for your safety, injury, damage, or the quality of your work.

Suggested Tools and Supplies

- Mityvac hand vacuum pump kit JIMS tool No.741
- Phillips screwdriver
- Allen Wrench
- New drain screw crush washers
- Grease
- Fork oil
- H-D Service Manual for year and Model of bike you are working on



PARTS IDENTIFICATION			
NO.	QTY.	DESCRIPTION	PART NO.
1	1	BOTTLE	740-3
2	1	RESERVOIR CUP ASSY	740-6
3	1	FILLER TIP	740-10
4	1	VALVE ASSY	740-5
5	1	MAGNETIC BASE	740-1
6	1	INSTRUCTION SHEET	740-IS

1. Remove fork oil drain plug from the fork slider and let the oil drain. Reinstall drain plug and pump fork up and down a few times. Remove drain plug and let oil drain again. Repeat until fork is completely drained. 2006 and later FLH models take longer to drain fork oil due to the damping valve assemblies.
2. Grease the tip of the tapered hose fitting and insert firmly into fork leg drain hole. **See Fig. 1**
3. Fill bottle of JIMS tool with the required amount of fork oil for your model.
4. With valve lever in the 12:00 position, **See Fig. 1 & 2** connect the Mityvac to the catch reservoir fitting marked "to pump". Pump until you have 25" of vacuum in the system as shown on gauge.
5. Make sure the system is holding vacuum by observing the gauge on your Mityvac. It should hold steady



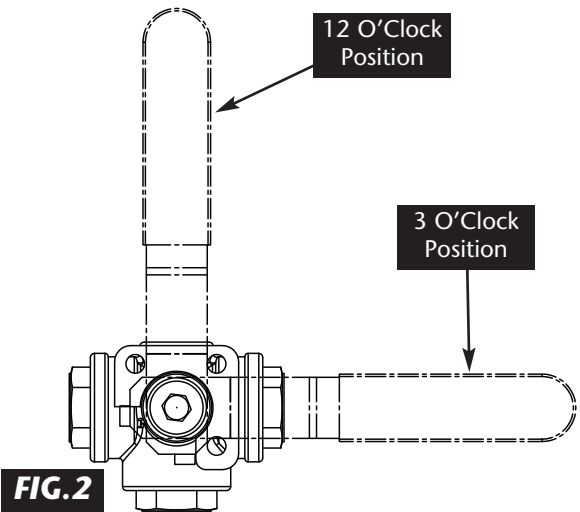
CAUTION: WEAR SAFETY GLASSES OVER YOUR EYES.
 SEE JIMS® CATALOG FOR HUNDREDS OF TOP QUALITY PROFESSIONAL TOOLS.
 THE LAST TOOLS YOU WILL EVER NEED TO BUY.

Performance Parts For Harley-Davidson Motorcycles

INSTRUCTION SHEET FOR TOOL No.740

at 25". If the pressure is not holding, check the fitting connection at fork slider drain hole to verify that it is tight and there is adequate grease to seal the connection. If still leaking, you may have a fork assembly that is not air tight. Check fork seal, O-ring and sealing washer on fork tube cap, and crush washer on the damper tube screw. On early models with air forks, a leak can come from the air line, Schrader valve, air fittings, or crush washers. **Note:** This tool will not work properly until leak is found and repaired.

- Open valve lever **slowly** toward 3:00 position and watch for the fork oil to just reach the fitting at the drain hole connection. Close valve by rotating the lever back to the 12:00 position.



- Double check the bottle for the proper fork oil level for your bike model. You may have to add a little bit to make up for air displaced in the line.
- Open valve **quickly** toward the 3:00 position. Fork oil will be drawn into the fork leg. When the required amount has been drawn into the fork leg, remove the fitting and install drain plug **quickly** so as not to lose any fork oil.
Note: You may get some fluid in the catch reservoir when opening valve.
- Repeat process for other fork.
- If all fluid is not drawn into fork, drain oil and repeat the entire process.

Note: If fork oil fails to draw or only partially draws into the fork leg assembly, you must be certain that the system is not losing vacuum. Check to be sure that the filler tip is firmly pressed into the drain hole and has an adequate amount grease around the connection. All seals, crush washers, air fittings, and o-rings must seal to allow vacuum to pull oil into the fork.

SEE OTHER JIMS FORK TOOLS IN OUR 2015 CATALOG

Fork Leg / Tube Holder



No.2251

Top Fork Nut Socket



No.2244

Touring Model Stem Nut Wrench



No.977

Performance Parts For Harley-Davidson Motorcycles