



## PARTS INCLUDED

Ref.	Part Number	Description	Qty
1)	00-200-01105	Aluminum Muffler Assembly	1
2)	00-200-01106	Slip-on Tube Assembly	1
3)	04-18-41817	Inner Mounting Spacer (Large)	1
4)	04-18-42590	Outer Mounting Spacer (Small)	1
5)	01-5210125070-27	M10-1.25x70mm Hex Flange Head Cap Screw	1
6)	07-41-40004	Short Swivel Spring	1

19-3018-123-02

SLIP-ON EXHAUST, SS/ALUMINUM

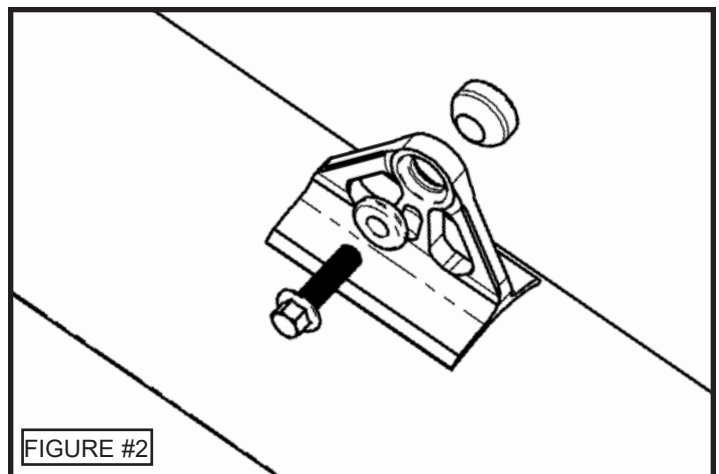
KAWASAKI NINJA 250  
2008

## TOOLS REQUIRED

Ref.	Description	Ref.	Description
1)	3/8" Drive Ratchet	4)	14mm Socket
2)	3" Extension	5)	5mm Allen Wrench
3)	12mm Socket	6)	High-Temp Silicone sealer

## INSTALLATION INSTRUCTIONS

- 1) Loosen the clamp behind the heat shield.
- 2) Remove the 5mm allen bolts for the front of the heat shield. (Figure #1)
- 3) With the heat shield removed, loosen the 12mm bolt at the base of the muffler assembly.
- 4) Remove muffler mounting bolt from stock peg mount. Retain the stock nut as it will be reused with the new system.
- 5) Remove the stock muffler assembly.
- 6) Apply High-Temp silicone sealer to the base of the Slip-on tube. Then slide the Slip-on tube over the stock headpipe.
- 7) Install the new muffler over the slip-on tube. Connect the two using the supplied swivel spring.
- 8) Bolt the muffler to the bike using the supplied bolt, with the smaller spacer mounted to the outside of the muffler bracket and the large spacer to the inside of the muffler bracket. Then screw the bolt into the stock nut. (Figure #2)



PERFORMANCE DELIVERED!

Learn more about motorcycle parts on our website.