

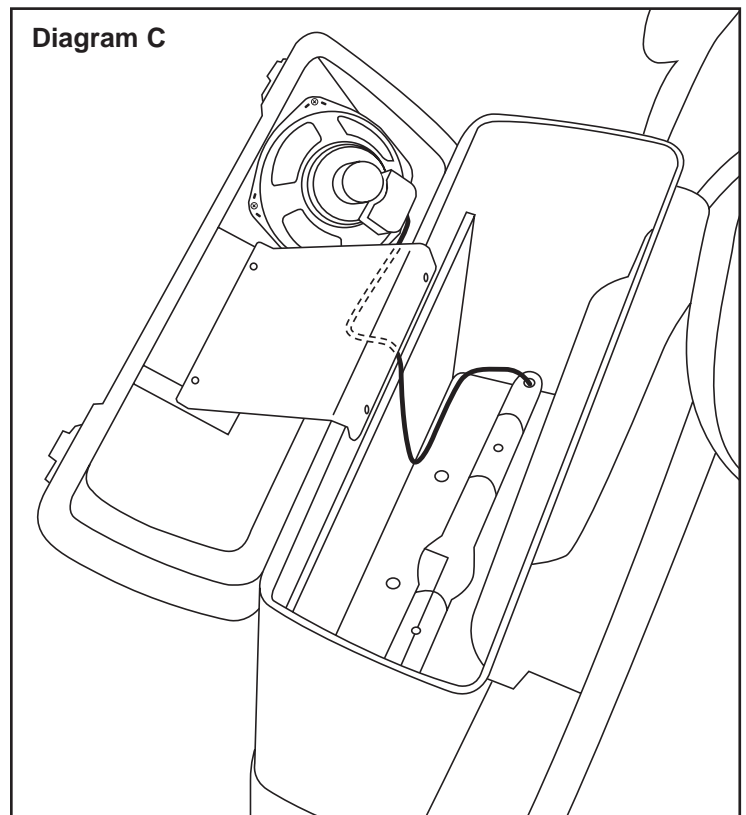
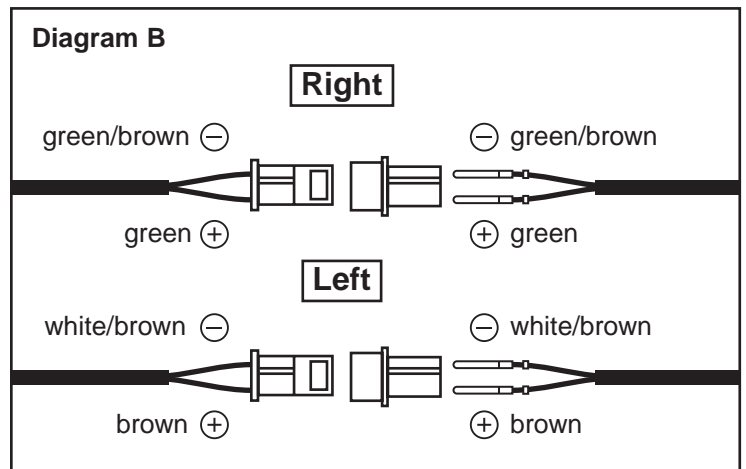
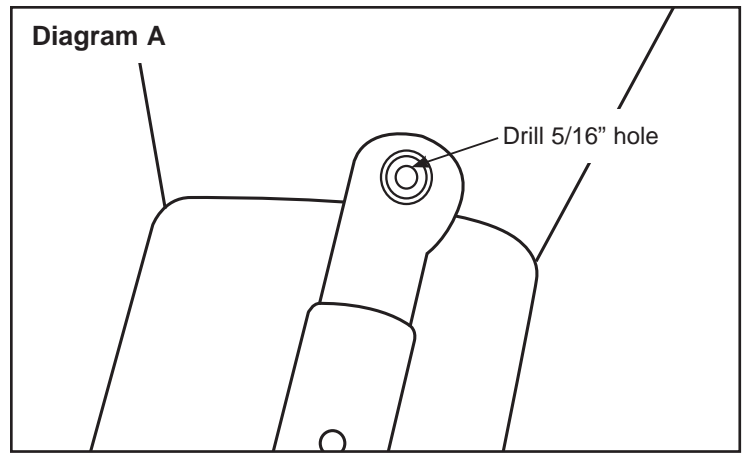
**ROKKER® XX Series
Saddlebag-Lid or Rear Trunk-
Pod Speaker Wire Harness kit
for 1998-2013 Harley®**

#JAWH-HSG06-SDB

**Installation
Instructions**

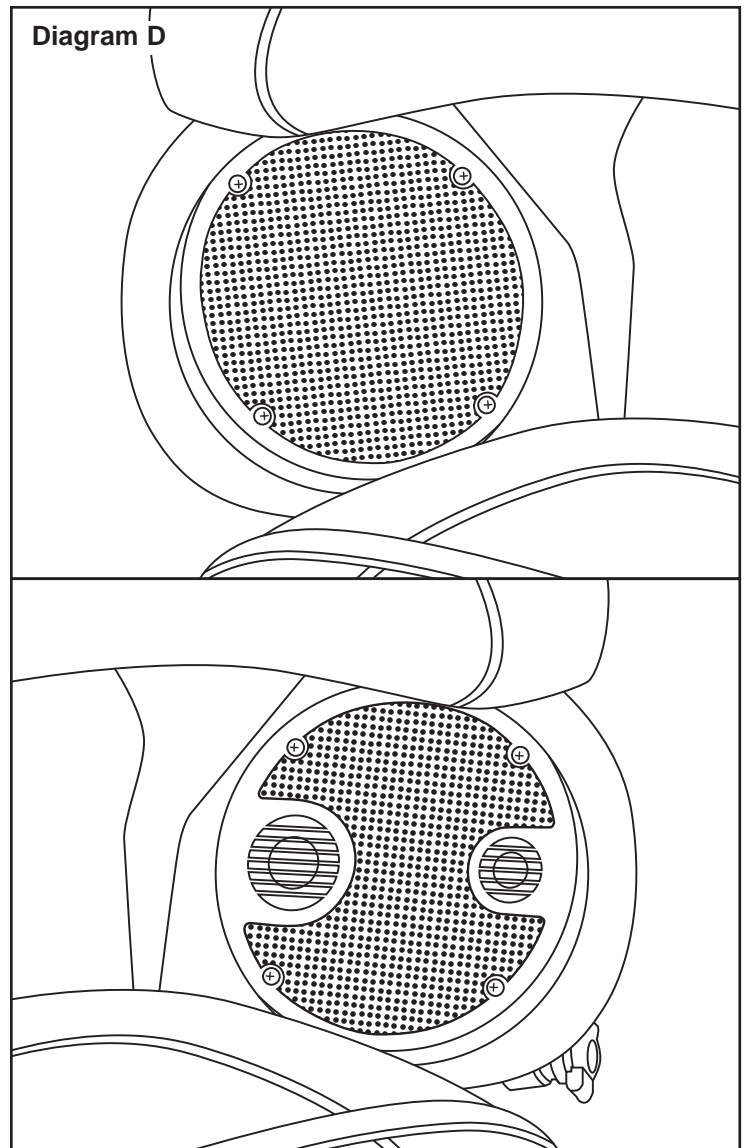
Wire Harness Installation Instructions For Saddlebag-Lid Speakers

1. Remove the outer fairing shell, the fuel tank, the seat and side covers.
2. Carefully drill a 5/16" diameter hole in the bottom of each saddlebag in the location shown. **Diagram A**
3. Install the provided rubber grommet into the hole. Then, from the inside of each saddlebag, route the speaker harness through the grommet and install the pins into the provided plastic connector onto the speaker harness. **IMPORTANT: BE SURE TO INSERT THE CORRECT WIRES INTO THE CORRECT LOCATION IN THE PLASTIC CONNECTOR. Diagram B**
4. Connect the wire terminal spades to the saddlebag-lid speaker and route the speaker harness underneath the saddlebag-lid tether strap and along the inside of the saddlebag as shown. **Diagram C**
5. Connect the forward section of the saddlebag lid speaker harness to the in-line wire plug and route the harness along the frame, under the fuel tank, into the fairing and connect to the rear speaker outputs of the radio or amplifier.
6. Secure the entire harness both sides using the tie straps provided.
7. Reinstall the fuel tank, seat, and side covers.



Wire Harness Installation Instructions For Rear Trunk-Pod Speakers

1. Remove the outer fairing shell, the fuel tank, and the seat.
2. Route the short harness with the speaker connection spades into the inside portion of each rear trunk-pod and connect to both left & right speakers. **Diagram D**
3. Carefully install the pins into the provided plastic connector onto the speaker harness. **IMPORTANT: BE SURE TO INSERT THE CORRECT WIRES INTO THE CORRECT LOCATION IN THE PLASTIC CONNECTOR. Diagram E**
4. Connect the forward section of the speaker harness to the in-line wire plug and route the harness along the frame, under the fuel tank, into the fairing and connect to the rear speaker outputs of the radio or amplifier.
5. Secure the entire harness both sides using the tie straps provided.
6. Reinstall the fuel tank, seat, and side covers.



Thank you for the confidence you have shown in J&M Corporation by purchasing one of our innovative products.

