

ROKKER® XXR
6.71" Fairing Speaker Upgrade
Kit for 2014-2019 Harley®
StreetGlide/Ultra

#HCRK-6712TW-XXR

Installation
Instructions

Product Overview

J&M's ROKKER XXR series 6.71" speakers designed as exact size component/replacements for the stock 6.5" Harley fairing speakers as installed on the 2014-2019 Harley StreetGlide, Ultra or Ultra Ltd.

Spec'd at 2 ohms impedance and 300 watts maximum input (175w RMS - 91db sensitivity), speakers provide the ultimate in raw audio power and include the new custom grills with built-in high-output tweeters.

Lightweight waterproof one-piece woven-fiber driver cone with super-rigid metal basket design.

High-density lite-weight Neodymium magnet structure, specially coated to maintain flux-strength integrity even at extreme operating temperatures.

High efficiency VENTED voice-coil for improved cooling when operating at high volume levels for extended periods.

Custom speaker grills with high-output tweeters for crystal clear sound at highway speeds.

Mounting hole pattern and spade electrical connections are exactly the same as the factory specification, this is a total plug-and-play no-modification solution complete with easy to follow installation instructions.

These are THE most powerful speakers you can buy for your Harley and they will perform extremely well when used with a medium to high-powered accessory amplifier.

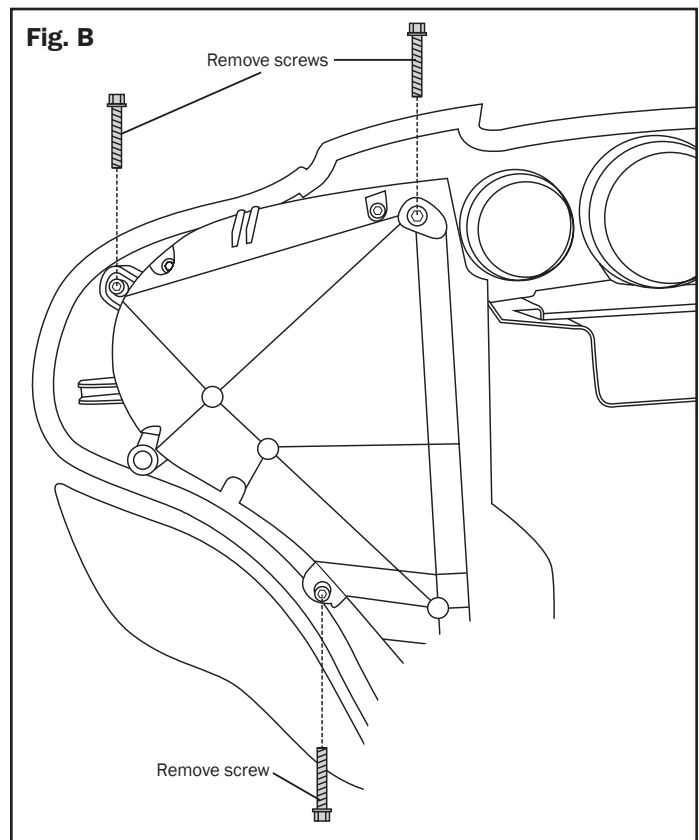
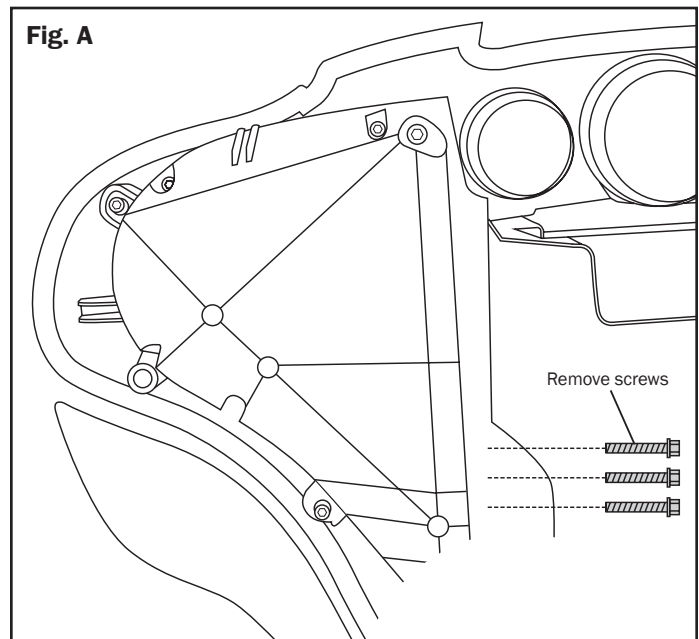
Installation and Instructions

1. Remove the windshield and outer fairing clamshell completely.

Important Note: If the bike is equipped with the Harley CB radio module, ensure that the CB module is removed before removing the applicable speaker pod assembly.

RIGHT SPEAKER

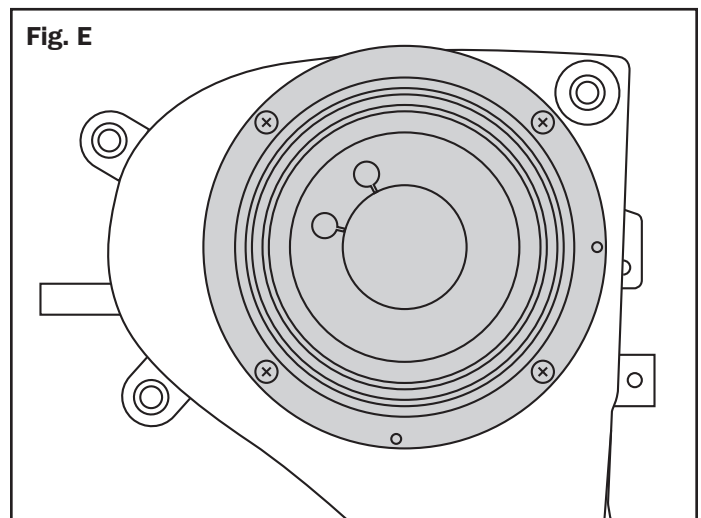
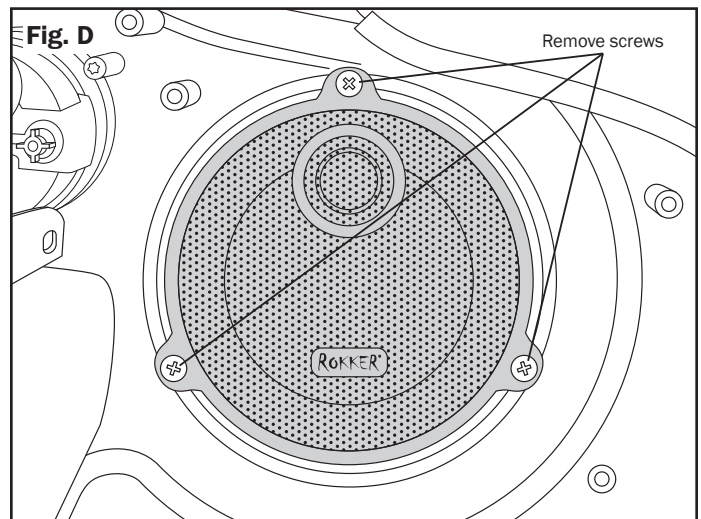
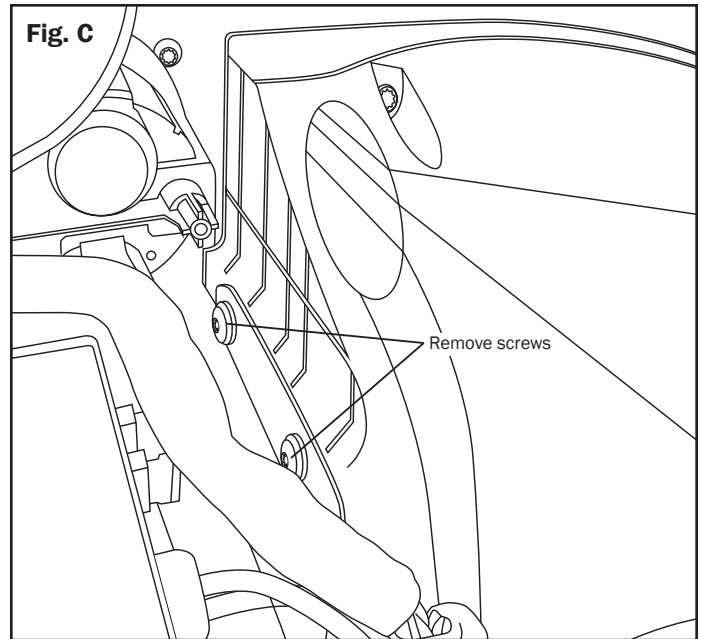
2. Remove the three 7/16 attachment screws from the inner bottom edge of the speaker pod. **(Figure A)**
3. Remove three 3/16 Allen head screws on the outside edges of the speaker pod. **(Figure B)**
4. Remove the two 5/32 Allen head screws from top edge of metal mounting tray. **(Figure C)**
5. Unplug the wire connection for the cigarette lighter socket from the speaker pod.
6. Remove the pod from the fairing.
7. Remove the speaker from the pod by removing the 4 retaining screws.
8. Unplug the speaker wires from the speaker and set aside.
9. Remove the stock grill from the inner fairing by removing the 3 attachment screws. **VERY IMPORTANT:** Discard these screws as they will not be used again. **(Figure D)**



10. Install the new 'J&M grills using the (3) #12 X ½" countersunk self-tapping screws provided, with the grill-mounted tweeter in the upright position. **VERY IMPORTANT:** Do Not use the stock Harley screws to attach the new 'J&M grills, or the speaker pods will not reinstall properly.
11. Install the new 6.71" ROKKER XXR speaker using the original speaker attachment screws; Ensure that the speaker is placed into the pod with the tweeter-wire exiting to the upper, outer corner. **(Figure E)**
12. Plug the tweeter wire from the main speaker into the corresponding plug on the backside of the grill. Then re-install the speaker pod assembly back into the fairing, paying close attention to pull the EXTRA tweeter wire length back out between the back side of the grill and front of the main speaker, so that this extra wire does not rattle against the main speaker cone when playing.
13. Repeat steps 2 through 12 for the opposite side speaker.

Important Note: If the bike is equipped with the Harley CB radio module, ensure that the CB module is removed before removing the applicable speaker pod assembly.

14. Test each speaker for proper operation before reassembling the fairing.



Thank you for the confidence you have shown in J&M Corporation by purchasing one of our innovative products.

