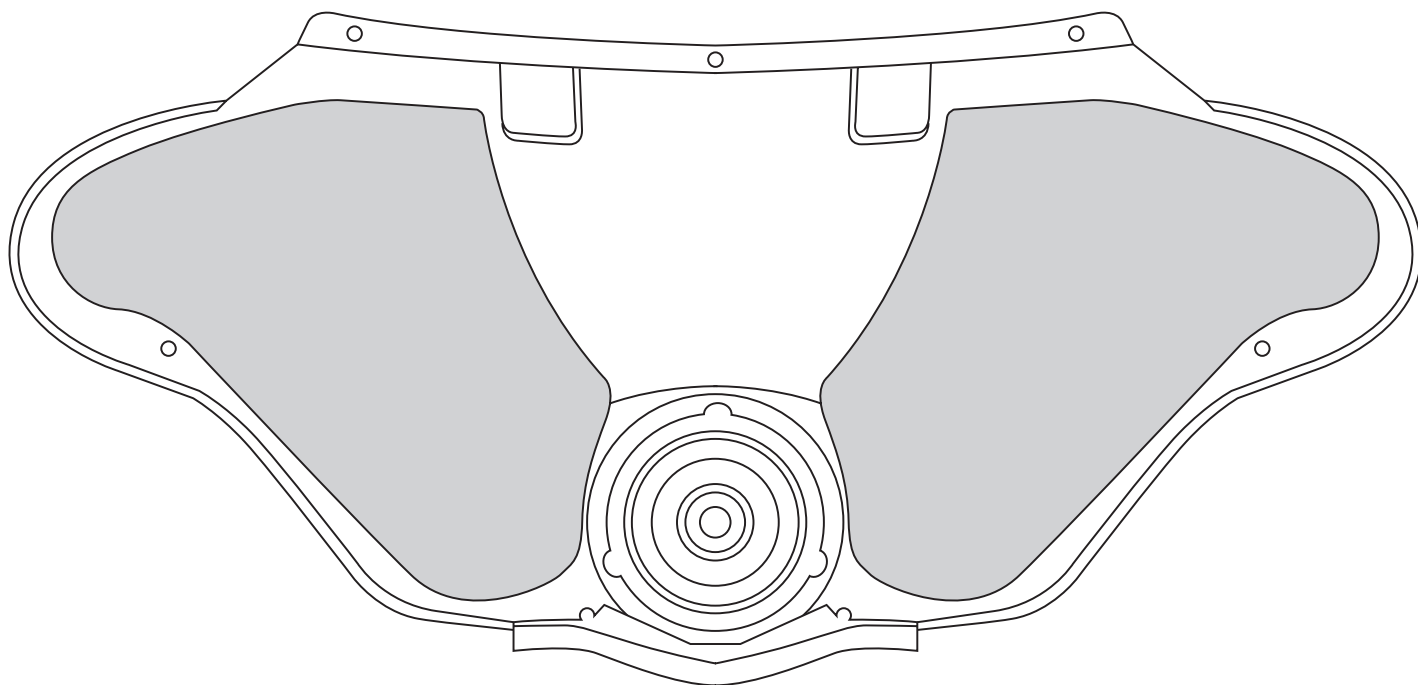


**Inside Fairing Acoustic Speaker
Pads for 1989-2013 Harley
Davidson® Motorcycles with
Classic (Bat Wing) Fairing**

#FSAP-HDCL

**Installation
and
Instructions**



Classic (Bat Wing) Fairing

Installation and Instructions

1. Remove the windshield and outer fairing shell.
2. Clean and dry thoroughly the inside of the outer fairing shell where the J&M acoustic panels will be applied.
3. Determine the proper positioning of both the left and right acoustic panels in the fairing shell. Then peel the paper from the adhesive backing and apply each panel in the proper position. **(See Diagram)**
4. Replace the outer fairing shell and windshield.

Thank you for the confidence you have shown in J&M Corporation by purchasing one of our innovative products.

