

MADE IN

USA



PERFORMANCE EXHAUSTS & EQUIPMENT



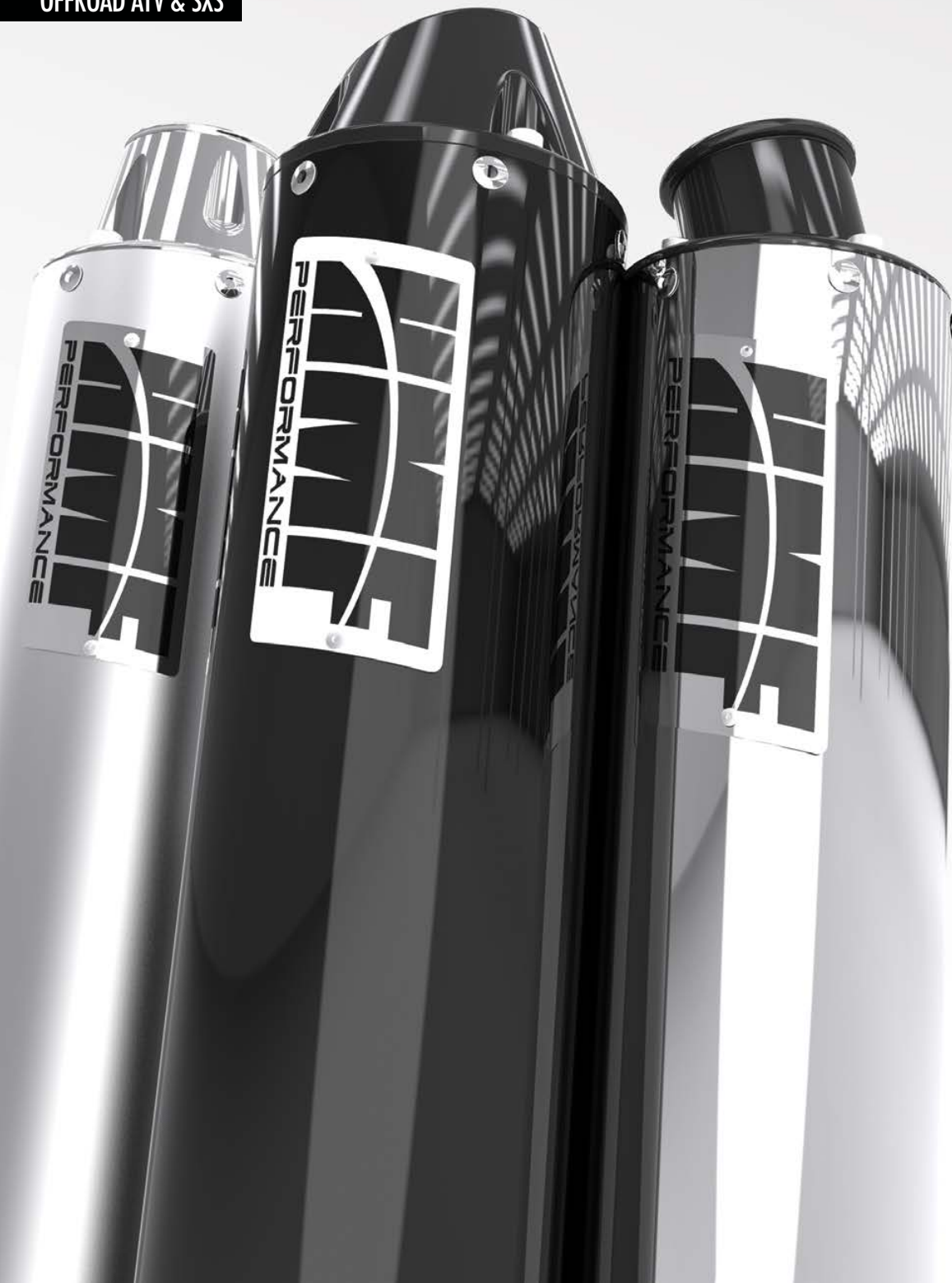


“It has always been,
and always will be,
about increasing performance.”

Hans Luenger, Owner

4	PERFORMANCE	24	SWAMP
6	CUSTOM COLOR OPTIONS	28	COMPETITION
8	BLACKOUT	32	EXHAUST ACCESSORIES
10	PERFORMANCE: OFF ROAD	34	TUNING ACCESSORIES
14	PERFORMANCE: PAVEMENT	36	IQ EQUIPMENT
18	TITAN		





PERFORMANCE

THE ORIGINAL OFF ROAD EXHAUST SERIES



CAN AM RENEGADE 1000: DUAL FULL SYSTEM

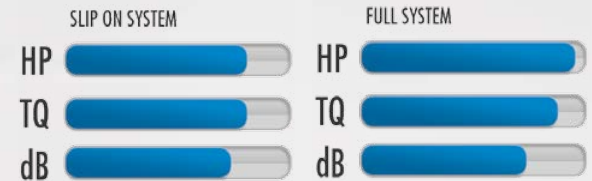
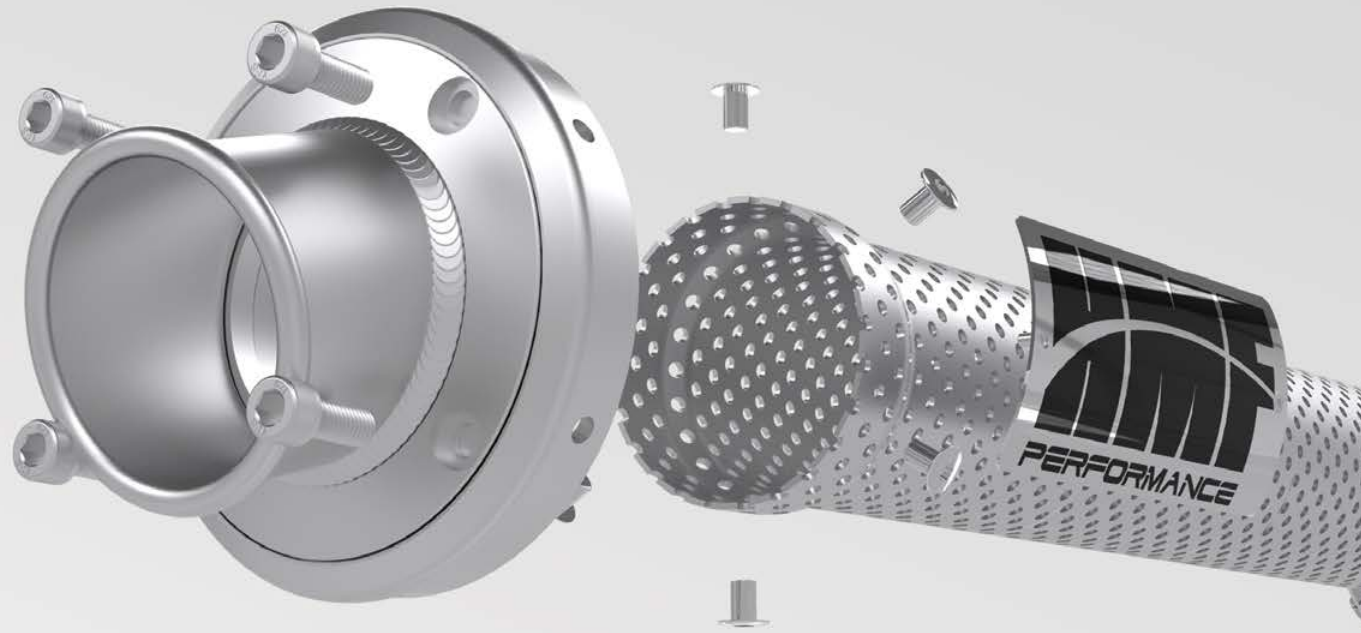
The Performance Series exhaust is the foundation that HMF was built on. The specially designed, unrestricted core allows the exhaust to increase power throughout the power curve. While our signature sound lets them know it's an HMF, our endless color combinations let them know it's "your" pipe.

Arctic Cat | Can Am | Honda | Kawasaki | KTM | Kymco | Polaris | Suzuki | Yamaha

EQUAL POWER DISTRIBUTION

Featuring a 2-1/8" unrestricted core, the Performance Series core has a special hole pattern that allows the exhaust system to increase power evenly throughout the RPM range.

The system itself is assembled on an durable 6063-T6 aluminum alloy shell, with magnesium and silicon as the alloying elements. A high-temp powder coat can be applied for a completely custom look.



T6061
ALUMINUM

4"
4" DIA. SHELL

lb
LESS WEIGHT


COLOR OPTIONS

GET YOUR CUSTOM ON

A SERIOUS SET OF COLOR OPTIONS

HMF is the leader in custom exhaust and end cap colors. Depending on the vehicle you're riding, you can select from 3 different end cap styles, in 5 different finishes. The exhaust shell itself is also available in brushed or polished aluminum, 7 powder coated colors, or 3 carbon fiber meshes.

TURN DOWN

FINISH	PART NO
BRUSHED	6916006
POLISHED	6916706
BLACK	6916106
BLUE	6916406
RED	6916606

VECTOR

FINISH	PART NO
BRUSHED	6926006
POLISHED	6926706
BLACK	6926106
BLUE	6926406
RED	6926606





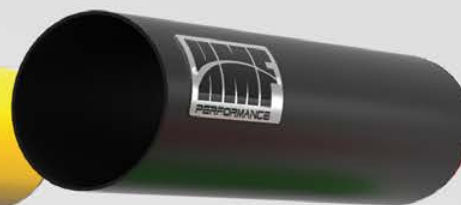
Euro Round

Euro Horizontal

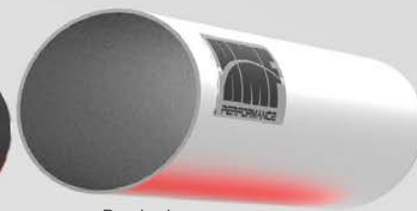
Euro Vertical



Yellow



Black



Brushed



Blue



Green



Red



Polished



Orange



Candy Red



Yellow Carbon



Red Carbon



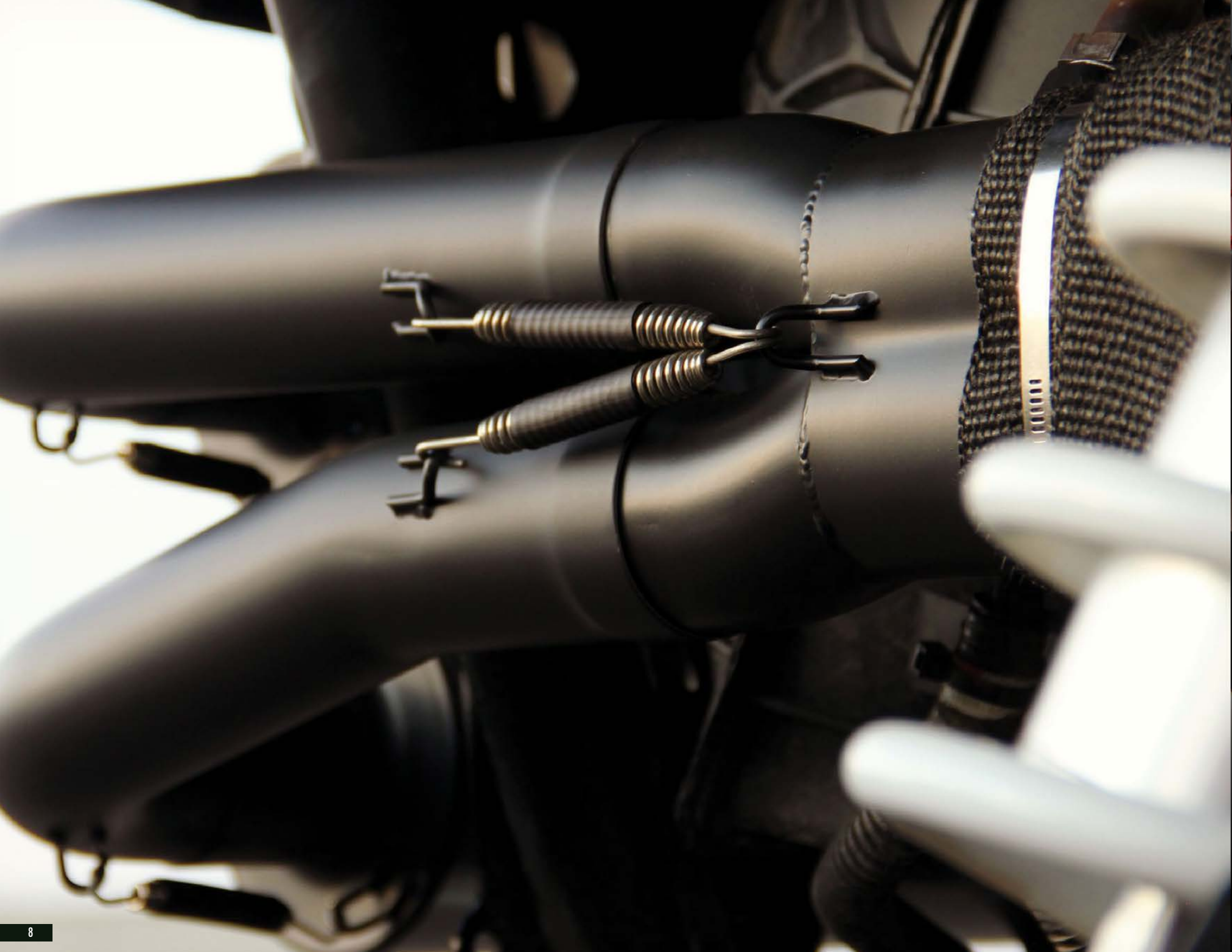
Black Carbon

EURO

SHAPE	FINISH	PART NO
ROUND	POLISHED	6996707
ROUND	BLACK	6996107
ROUND	BLUE	6996407
ROUND	RED	6996607

SHAPE	FINISH	PART NO
VERTICAL	POLISHED	6996708
VERTICAL	BLACK	6996108
VERTICAL	BLUE	6996408
VERTICAL	RED:	6996608

SHAPE	FINISH	PART NO
HORIZONTAL	POLISHED	6996706
HORIZONTAL	BLACK	6996106
HORIZONTAL	BLUE	6996406
HORIZONTAL	RED	6996606



BLACKOUT

CERAKOTED™ TO WITHSTAND EXTREME CONDITIONS

IT'S NOT ABOUT US

With a completely different exhaust we thought that it was only appropriate to develop a new name badge. This new but simple, elegant and subtle badge has our logo but doesn't shove it in your face like a lot of other brands. This new badge adds a great touch to an already outstanding new exhaust setup with an outstanding level of contrast.

IT CAN'T ALL BE BLACK

Keeping a nice design contrast, the shell of the Blackout is a gun metal grey that compliments the flat black end cap and header. The life of your Performance or Titan Series will be extended when you get it "blacked out". As a result your exhaust should have less intense exposure to the elements, protecting you for any application or use.

TURN UP THE HEAT TO 1200°F

With our Blackout exhaust the head pipe, inlet and end cap will be covered with a high temperature ceramic coating. Capable of withstanding up to 1200 degrees Fahrenheit, this process produces a ceramic based finish that increases impact strength and hardness while increasing resistance to abrasion/wear, corrosion, and chemicals.

MUFFLER COLOR

- 60 BRUSHED
 - 61 BLACK
 - 63 YELLOW
 - 64 BLUE
 - 65 GREEN
 - 66 RED
 - 67 POLISHED
 - 68 ORANGE
 - 69 CANDY RED
 - 70 CF BLACK
 - 71 CF YELLOW
 - 72 CF RED
 - 74 STAINLESS
 - 77 BLACK - CERAKOTE
 - 87 BLACKOUT - S/O
 - 88 BLACKOUT - FULL
- END CAP STYLE**
- TD = Turn Down
 - VT = Vector
 - 71 TD BRUSHED
 - 72 TD BLACK
 - 73 TD BLUE
 - 74 TD RED
 - 75 TD POLISHED
 - 77 VT BRUSHED
 - 78 VT BLACK
 - 79 VT BLUE
 - 80 VT RED
 - 81 VT POLISHED
 - 83 EURO BLACK
 - 84 EURO BLUE
 - 85 EURO RED
 - 86 EURO POLISHED
 - 87 BILLET - RECESSED
 - 88 BILLET
 - 89 MINI
 - 90 NONE
 - 91 STAINLESS - TD
 - 92 BLACKOUT - EURO
 - 93 BLACKOUT - BILLET
 - 94 BLACKOUT - SS TD
 - 95 BLACKOUT - BILLET RC
 - 96 SNORKEL

ARCTIC CAT

MODEL	YEAR	SYSTEM	S	MOUNT	PART PREFIX	MSRP
700 EFI	07-08	S/O	R	Side	01124360-	
400/500	02-03	S/O	R	Clamp	01121367-	
400/500/650/700H1/1000	04-14	S/O	R	Spring	01122368-	
650 V-Twin	04-06	S/O	R	Side	01123360-	
DVX 400	04-08	Full	R	Side	01125460-	
DVX 400	04-08	S/O	R	Side	01125360-	
Thundercat 1000	08-14	S/O	R	Side	01126360-	
Wildcat 1000	12-14	Dual S/O	R	Side	01230560-	
Wildcat Trail	14-15	S/O	R	Side	01231360-	



CAN AM COMMANDER: DUAL 3/4 SYSTEM

CAN AM

MODEL	YEAR	SYSTEM	S	MOUNT	PART PREFIX	
Commander 1000	11-13	Dual 3/4	R	Outer	01632269-	
Commander 1000	14-15	Dual 3/4	R	Outer	01652269-	
Commander 800	11-13	Dual 3/4	R	Outer	01650269-	
Commander 800	14-15	Dual 3/4	R	Outer	01653269-	
DS450	08-15	Full	R	Side	01421460-	
DS450	08-15	S/O	R	Side	01421360-	
DS650	00-07	S/O	R	Side	01422360-	
DS90	13-14	S/O	R	Side	01442360-	
G1000	12-14	Big Core	R	Side	01455960-	
G1000	12-14	Full	R	Side	01455460-	
G1000 MAX	12-14	Big Core	R	Side	01456960-	
G1000 MAX	12-14	Full	R	Side	01456460-	
Maverick/MAX/XDS	13-15	Dual 3/4	R	Side	01643260-	



CAN AM MAVERICK XDS TURBO: DUAL SLIP ON

CAN AM MAVERICK: DUAL 3/4 SYSTEM

MODEL	YEAR	SYSTEM	S	MOUNT	PART PREFIX	
Maverick/MAX/XDS	13-15	Dual S/O	R	Side	01643560-	
Maverick XDS Turbo	15	Big Core S/O	R	Center	01657063-	
Maverick XDS Turbo	15	Dual S/O	R	Center	01657563-	
Maverick XDS Turbo	15	Big Core 3/4	R	Center	01657963-	
Maverick XDS Turbo	15	Dual 3/4	R	Center	01657263-	
Outlander 1000	12-16	Full	R	Side	01437460-	
Outlander 1000	12-16	S/O	R	Side	01437360-	
Outlander 1000 MAX/XMR	13-15	Full	R	Side	01447460-	
Outlander 1000 MAX/XMR	13-15	S/O	R	Side	01447360-	
Outlander 400	09-15	S/O	R	Side	01441360-	
Outlander 400 Max	09-15	S/O	R	Side	01451360-	
Outlander 500/650/800	06-07	Full	R	Spring	01423468-	
Outlander 500/650/800	06-07	S/O	R	Spring	01423368-	
Outlander 500/650/800	08-11	Full	R	Clamp	01424467-	
Outlander 500/650/800	08-11	Full	R	Spring	01424468-	
Outlander 500/650/800	08-11	S/O	R	Clamp	01424367-	
Outlander 500/650/800	08-11	S/O	R	Spring	01424368-	
Outlander 500/650/800	12-15	Full	R	Side	01440460-	
Outlander 500/650/800	12-15	S/O	R	Side	01440360-	
Outlander 500/650/800 MAX	06-07	Full	R	Spring	01425468-	
Outlander 500/650/800 MAX	06-07	S/O	R	Spring	01425368-	
Outlander 500/650/800 MAX	08	Full	R	Clamp	01426467-	
Outlander 500/650/800 MAX	08	Full	R	Spring	01426468-	
Outlander 500/650/800 MAX	08	S/O	R	Clamp	01426367-	
Outlander 500/650/800 MAX	08	S/O	R	Spring	01426368-	
Outlander 500/650/800 MAX	09-12	Full	R	Clamp	01445467-	



CAN AM OUTLANDER 400: SLIP ON SYSTEM



CAN AM OUTLANDER 800 MAX: SLIP ON SYSTEM

CAN AM

MODEL	YEAR	SYSTEM	S	MOUNT	PART PREFIX
Outlander 500/650/800 MAX	09-12	S/O	R	Clamp	01445367-
Outlander 500/650/800 MAX	12-15	Full	R	Side	01448460-
Outlander 500/650/800 MAX	12-15	S/O	R	Side	01448360-
Outlander 800 XMR	11-12	Full	R	Clamp	01446467-
Outlander 800 XMR	11-12	S/O	R	Clamp	01446367-
Outlander 800 XMR	15	Full	R	Clamp	01440460-
Outlander 800 XMR	15	S/O	R	Clamp	01440360-
Outlander 850	16	Full	R	Side	01440460-
Outlander 850	16	S/O	R	Side	01440360-
Outlander L	15-16	Full	R	Center	01459463-
Outlander L	15-16	S/O	R	Center	01459363-
Renegade 1000	12-16	Dual Full	R	Seat	01438663-
Renegade 1000	12-16	Dual S/O	R	Seat	01438563-
Renegade 500/800	07-11	Full	R	Side	01428460-
Renegade 500/800	07-11	S/O	R	Side	01428360-
Renegade 500/800	12-15	Dual Full	R	Seat	01439663-
Renegade 500/800	12-15	Dual S/O	R	Seat	01439563-

HONDA

MODEL	YEAR	SYSTEM	S	MOUNT	PART PREFIX
Foreman 450	02-04	S/O	R	Side	01927360-
Foreman 450	98-01	S/O	R	Side	01926360-
Foreman 500	05	S/O	R	Side	01928360-
Foreman 500	06-11	S/O	R	Side	01929360-
Foreman 500	12-13	S/O	R	Side	01964360-
Foreman 500	14-16	Full	R	Side	01967460-
Rancher 350	00-06	S/O	R	Side	01930360-
Rancher 400	04-07	S/O	R	Side	01931360-
Rancher 420	07-08	S/O	R	Side	01932360-
Rancher 420/IRS	09-13	S/O	R	Side	01933360-
Rancher 420	14-16	Full	R	Side	01966460-
Recon 250	97-14	S/O	R	Side	01961360-
Rincon 650	03-05	S/O	R	Side	01934360-
Rincon 680	06-16	S/O	R	Side	01935360-
Rubicon 500	01-05	S/O	R	Side	01936360-
Rubicon 500	06-14	S/O	R	Side	01937360-
Rubicon 500	15-16	Full	R	Side	01969460-
Ruckus	03-14	Full	R	Side	02047460-
Ruckus	03-14	Full	R	Side	02047460-

HONDA

MODEL	YEAR	SYSTEM	S	MOUNT	PART PREFIX
Ruckus	03-14	Full	R	Side	02047460-
Ruckus	03-14	Full	R	Side	02047460-
TRX 250X	87-92	S/O	R	Side	01922360-
TRX 250X/EX	11-14	Full	R	Side	01923460-
TRX 300	93-12	Full	R	Side	01924460-
TRX 300	93-12	S/O	R	Side	01924360-
TRX 400	99-14	Full	R	Side	01925460-
TRX 400	99-14	S/O	R	Side	01925360-
TRX 450R	04-05	Full	E	Side	01938470-
TRX 450R	04-05	Full	R	Side	01938460-
TRX 450R	04-05	MX	E	Side	01938770-
TRX 450R	04-05	MX	R	Side	01938760-
TRX 450R	04-05	S/O	E	Side	01938370-
TRX 450R	04-05	S/O	R	Side	01938360-
TRX 450R	06-14	Full	E	Side	01939470-
TRX 450R	06-14	Full	R	Side	01939460-
TRX 450R	06-14	MX	E	Side	01939770-
TRX 450R	06-14	MX	R	Side	01939760-
TRX 450R	06-14	S/O	E	Side	01939370-
TRX 450R	06-14	S/O	R	Side	01939360-
TRX 700XX	08-09	Full	R	Side	01940460-
TRX 700XX	08-09	S/O	R	Side	01940360-
TRX 90	06-14	Full	R	Side	01921460-



KAWASAKI BRUTE FORCE 750: SLIP ON SYSTEM

KAWASAKI

MODEL	YEAR	SYSTEM	S	MOUNT	PART PREFIX
Brute Force 650	05-13	Full	R	Side	02621460-
Brute Force 650	05-13	S/O	R	Side	02621360-
Brute Force 650i	05-11	Full	R	Side	02622460-

KAWASAKI

MODEL	YEAR	SYSTEM	S	MOUNT	PART PREFIX
Brute Force 650i	05-11	S/O	R	Side	02622360-
Brute Force 650i	12-13	Full	R	Side	02648460-
Brute Force 650i	12-13	S/O	R	Side	02648360-
Brute Force 750	05-11	Full	R	Side	02623460-
Brute Force 750	05-11	S/O	R	Side	02623360-
Brute Force 750	12-14	Full	R	Side	02648460-
Brute Force 750	12-14	S/O	R	Side	02648360-
Brute Force 750	15-16	3/4 Sys	R	Side	02652160-
Brute Force 750	15-16	Full	R	Side	02652460-
KFX 400	03-06	Full	R	Side	02624460-
KFX 400	03-06	S/O	R	Side	02624360-
KFX 450R	08-14	Full	R	Side	02625460-
KFX 450R	08-14	S/O	R	Side	02625360-
KFX 700	04-10	Dual Full	R	Side	02626660-
KFX 700	04-10	S/O	R	Side	02626360-
Prairie 360	03-12	S/O	R	Side	02627360-
Prairie 650	02-03	Full	R	Side	02629460-
Prairie 650	02-03	S/O	R	Side	02629360-
Prairie 700	04-06	Full	R	Side	02630460-
Prairie 700	04-06	S/O	R	Side	02630360-
Teryx	09-13	Dual S/O	R	Side	02932560-



KAWASAKI KFX 450: FULL SYSTEM

KTM

MODEL	YEAR	SYSTEM	S	MOUNT	PART PREFIX
450/505 SX	09-13	Full	E	Side	03022470-
450/505 SX	09-13	S/O	E	Side	03022370-
450/525 XC	09-13	Full	E	Side	03021470-
450/525 XC	09-13	S/O	E	Side	03021370-
990 Adventure	07-08	Dual S/O	R	Side	04524560-

KYMCO

MODEL	YEAR	SYSTEM	S	MOUNT	PART PREFIX
Mongoose 300	06-09	Full	R	Side	03121460-
Mongoose 300	06-09	Full	R	Side	03321460-

MUFFLER COLOR

- 60 BRUSHED
 - 61 BLACK
 - 63 YELLOW
 - 64 BLUE
 - 65 GREEN
 - 66 RED
 - 67 POLISHED
 - 68 ORANGE
 - 69 CANDY RED
 - 70 CF BLACK
 - 71 CF YELLOW
 - 72 CF RED
 - 74 STAINLESS
 - 77 BLACK - CERAKOTE
 - 87 BLACKOUT - S/O
 - 88 BLACKOUT - FULL
- END CAP STYLE**
- TD = Turn Down
 - VT = Vector
 - 71 TD BRUSHED
 - 72 TD BLACK
 - 73 TD BLUE
 - 74 TD RED
 - 75 TD POLISHED
 - 77 VT BRUSHED
 - 78 VT BLACK
 - 79 VT BLUE
 - 80 VT RED
 - 81 VT POLISHED
 - 83 EURO BLACK
 - 84 EURO BLUE
 - 85 EURO RED
 - 86 EURO POLISHED
 - 87 BILLET - RECESSED
 - 88 BILLET
 - 89 MINI
 - 90 NONE
 - 91 STAINLESS - TD
 - 92 BLACKOUT - EURO
 - 93 BLACKOUT - BILLET
 - 94 BLACKOUT - SS TD
 - 95 BLACKOUT - BILLET RC
 - 96 SNORKEL

POLARIS

MODEL	YEAR	SYSTEM	S	MOUNT	PART PREFIX
Outlaw 450/525: SRA	08-10	S/O	E	Seat	03425373-
Outlaw 450/525: SRA	08-10	S/O	R	Side	03425360-
Outlaw 500	06-07	Full	E	Seat	03423473-
Outlaw 500	06-07	S/O	E	Seat	03423373-
Outlaw 525: IRS	07-11	S/O	E	Seat	03424373-
Outlaw 90	07-14	S/O	R	Side	03422360-
Predator	03-07	Full	R	Side	03421460-
Predator	03-07	S/O	R	Side	03421360-
RZR®170	10-14	Full	R	Side	03551460-
RZR®800	08-10	Dual S/O	R	Side	03552560-
RZR®900 S/4/XC/Trail	15-16	Dual Full	R	Center	03554663-
RZR®S 1000	16	Dual Full	R	Center	03559663-
RZR®XP 1000	14	Dual Full	R	Side	03550660-
RZR®XP 1000	15-16	Dual Full	R	Side	03555660-
RZR®XP 4 1000	14	Dual Full	R	Side	03551660-
RZR®XP 4 1000	15-16	Dual Full	R	Side	03556660-
RZR®XP 900	11-14	Dual Full	R	Center	03539663-
RZR®XP 900	11-14	Dual Full	R	Side	03539660-
RZR®XP/4 Turbo EPS	16	Dual S/O	R	Center	03560563-



POLARIS RZR® XP 1000: DUAL FULL SYSTEM



POLARIS RZR® S 1000: DUAL FULL SYSTEM



SUZUKI LT-R 450: FULL SYSTEM

SUZUKI

MODEL	YEAR	SYSTEM	S	MOUNT	PART PREFIX
Eiger	02-07	S/O	R	Side	03621360-
King Quad 400	08-12	S/O	R	Side	03622360-
King Quad 450/500	09-13	S/O	R	Side	03623360-
King Quad 700/750	08-15	S/O	R	Side	03624360-
LT-R 450	06-09	Full	E	Seat	03625473-
LT-R 450	06-09	MX	E	Seat	03625773-
LT-R 450	06-09	S/O	E	Seat	03625373-
LIZ 250	04-09	S/O	R	Side	03627360-
LIZ 400	03-14	Full	R	Side	03626460-
LIZ 400	03-14	S/O	R	Side	03626360-
Vinson	02-07	S/O	R	Side	03628360-



YAMAHA GRIZZLY 700: SLIP ON SYSTEM

YAMAHA

MODEL	YEAR	SYSTEM	S	MOUNT	PART PREFIX
Big Bear 400	00-12	S/O	R	Side	04121360-
Bruin 350	04-06	S/O	R	Side	04122360-
Grizzly 350	07-11	S/O	R	Side	04123360-
Grizzly 400/450	07-14	S/O	R	Side	04125360-
Grizzly 550	08-14	S/O	R	Side	04126360-
Grizzly 600	98-01	S/O	R	Side	04127360-
Grizzly 660	02-08	Full	R	Side	04128460-
Grizzly 660	02-08	S/O	R	Side	04128360-
Grizzly 700	07-16	S/O	R	Side	04129360-
Kodiak 400	00-02	S/O	R	Side	04130360-
Kodiak 400/450	04-06	S/O	R	Side	04131360-

MODEL	YEAR	SYSTEM	S	MOUNT	PART PREFIX
Kodiak 700	16	S/O	R	Side	04174360-
Raptor 125	11-14	Full	R	Side	04167460-
Raptor 125	11-14	S/O	R	Side	04167360-
Raptor 250	08-14	Full	R	Side	04133460-
Raptor 250	08-14	S/O	R	Side	04133360-
Raptor 350	05-14	S/O	R	Side	04134360-
Raptor 660	01-05	Full	R	Side	04135460-
Raptor 660	01-05	S/O	R	Side	04135360-
Raptor 700	06-14	Full	R	Side	04136460-
Raptor 700	06-14	S/O	R	Side	04136360-
Raptor 700	15-16	Full	R	Side	04172460-
Raptor 700	15-16	S/O	R	Side	04172360-
Raptor 90	09-14	Full	R	Side	04132460-
Rhino 660	04-07	Dual Full	E	Side	04442670-
Warrior	87-04	S/O	R	Side	04137360-
Wolverine 350	06-09	S/O	R	Side	04139360-
Wolverine 350	94-05	S/O	R	Side	04138360-
Wolverine 450	06-10	S/O	R	Side	04144360-
YFZ 450	04-13	Full	E	Side	04140470-
YFZ 450	04-13	Full	R	Side	04140460-
YFZ 450	04-13	S/O	E	Side	04140370-
YFZ 450	04-13	S/O	R	Side	04140360-
YFZ 450R-X	09-16	Full	E	Side	04141470-
YFZ 450R-X	09-16	Full	R	Side	04141460-
YFZ 450R-X	09-16	S/O	E	Side	04141370-
YFZ 450R-X	09-16	S/O	R	Side	04141360-
YXZ 1000R	16	Full	E	Center	04475473-
YXZ 1000R	16	S/O	E	Center	04475373-



SUZUKI KING QUAD 750: SLIP ON SYSTEM



YAMAHA RAPTOR 700: FULL SYSTEM



YAMAHA YXZ 1000R: FULL SYSTEM

MOTORCYCLES & SCOOTERS



PAVEMENT

EXHAUSTS WITH AN INCREDIBLE SOUND

HMF has been developing street exhaust systems for decades. The signature HMF sound screams down the pavement and gives the motorcycle an insane amount of horse power. Available in every HMF color option, the Performance Series is truly a one-of-a-kind exhaust with an attitude.



BMW K1300S: SLIP ON SYSTEM

BMW

MODEL	YEAR	SYSTEM	S	MOUNT	NO.PREFIX
K1300S	09-14	S/O	E	Low	04721372-
S1000RR	09-14	Full	E	Low	04722472-



CAN AM SPYDER F3: SLIP ON SYSTEM

CAN AM

MODEL	YEAR	SYSTEM	S	MOUNT	NO.PREFIX
RX 1190	14	3/4 SYS	E	Side	01322170-
Spyder RS	08-12	S/O	E	Low	01529372-
Spyder RS	13-14	S/O	E	Low	01546372-
Spyder STS	14	S/O	E	Low	01554372-
Spyder F3	15	S/O	E	Low	01558372-



BUELL 1125: SLIP ON SYSTEM

BUELL

MODEL	YEAR	SYSTEM	S	MOUNT	NO.PREFIX
Buell 1125	08-10	S/O	E	Low	01321372-



DUCATI SCRAMBLER: SLIP ON SYSTEM

DUCATI

MODEL	YEAR	SYSTEM	S	MOUNT	NO.PREFIX
848/1098/1198	08-13	Dual S/O	E	High	01721571-
Monster 1100(S)	08-10	S/O	R	High	01722361-
Monster 1100(S)	08-10	Dual S/O	R	High	01722561-
Monster 1200	14	S/O	E	Side	01723360-
Scrambler	16	S/O	E	Side	01724370-
Scrambler	16	S/O	R	Side	01724360-

MUFFLER COLOR

- BRUSHED 60
- BLACK 61
- YELLOW 63
- BLUE 64
- GREEN 65
- RED 66
- POLISHED 67
- ORANGE 68
- CANDY RED 69
- CF BLACK 70
- CF YELLOW 71
- CF RED 72
- STAINLESS 74
- BLACKOUT - S/O 87
- BLACKOUT - FULL 88

END CAP STYLE

- TD = Turn Down*
- VT = Vector*
- TD BRUSHED 71
- TD BLACK 72
- TD BLUE 73
- TD RED 74
- TD POLISHED 75
- VT BRUSHED 77
- VT BLACK 78
- VT BLUE 79
- VT RED 80
- VT POLISHED 81
- EURO BLACK 83
- EURO BLUE 84
- EURO RED 85
- EURO POLISHED 86
- SWAMP 88
- MINI 89
- EURO BLACKOUT 92
- SWAMP BLACKOUT 93

MUFFLER COLOR

- 60 BRUSHED
- 61 BLACK
- 63 YELLOW
- 64 BLUE
- 65 GREEN
- 66 RED
- 67 POLISHED
- 68 ORANGE
- 69 CANDY RED
- 70 CF BLACK
- 71 CF YELLOW
- 72 CF RED
- 74 STAINLESS
- 77 BLACK - CERAKOTE
- 87 BLACKOUT - S/O
- 88 BLACKOUT - FULL

END CAP STYLE

TD = Turn Down
VT = Vector

- 71 TD BRUSHED
- 72 TD BLACK
- 73 TD BLUE
- 74 TD RED
- 75 TD POLISHED
- 77 VT BRUSHED
- 78 VT BLACK
- 79 VT BLUE
- 80 VT RED
- 81 VT POLISHED
- 83 EURO BLACK
- 84 EURO BLUE
- 85 EURO RED
- 86 EURO POLISHED
- 87 BILLET - RECESSED
- 88 BILLET
- 89 MINI
- 90 NONE
- 91 STAINLESS - TD
- 92 BLACKOUT - EURO
- 93 BLACKOUT - BILLET
- 94 BLACKOUT - SS TD
- 95 BLACKOUT - BILLET RC
- 96 SNORKEL



HARLEY TOURING MODEL: SLIP ON SYSTEM

HARLEY

MODEL	YEAR	SYSTEM	S	MOUNT	NO.PREFIX
Touring Models	08-10	S/O	R	Low	01821362-



HONDA CBR 250: SLIP ON SYSTEM



HONDA CBR 500: SLIP ON SYSTEM

HONDA

MODEL	YEAR	SYSTEM	S	MOUNT	NO.PREFIX
CBR 1000	05-07	S/O	E	Seat	02045373-
CBR 1000	08-14	S/O	E	Low	02046372-
CBR 250R	11-13	S/O	E	Low	02060372-
CBR 250R	11-13	Full	E	Low	02060472-
CBR 500	13-14	S/O	E	Side	02065370-
CBR 600	05-06	S/O	E	Seat	02042373-
CBR 600	07-14	S/O	E	Seat	02043373-
CBR 600/1000	03-04	S/O	E	Seat	02041373-
Grom	14	S/O	R	High	02066361-
Grom	14	Full	R	Low	02066462-
Ruckus	03-14	Full	R	Side	02047460-



HONDA GROM: MINI FULL SYSTEM

KAWASAKI

MODEL	YEAR	SYSTEM	S	MOUNT	NO.PREFIX
Ninja 250	08-13	S/O	E	Low	02741372-
Ninja 300	13-14	S/O	E	Low	02750372-
ZX-10	04-05	S/O	R	Low	02736362-
ZX-10	04-05	S/O	E	Low	02736372-
ZX-10	06-07	S/O	E	High	02737371-
ZX-10	08-10	S/O	R	Low	02738362-
ZX-10	08-10	S/O	E	Low	02738372-
ZX-10	11-14	S/O	R	Low	02749362-
ZX-10	11-14	S/O	E	Low	02749372-



KAWASAKI NINJA 250: SLIP ON SYSTEM

MODEL	YEAR	SYSTEM	S	MOUNT	NO.PREFIX	BASE MSRP
ZX-14	06-07	Dual S/O	R	Low	02733562-	
ZX-14	06-11	Shogun	R	Low	02735962-	
ZX-14	06-11	Full	R	Low	02735462-	
ZX-14	08-14	Dual S/O	R	Low	02734562-	
ZX-6	03-04	S/O	E	Low	02739372-	
ZX-6	08-12	S/O	E	Low	02740372-	



KAWASAKI NINJA 300: SLIP ON SYSTEM



SUZUKI HAYABUSA: DUAL FULL SYSTEM



TRIUMPH TIGER EXPLORER: SLIP ON SYSTEM

SUZUKI

MODEL	YEAR	SYSTEM	S	MOUNT	NO. PREFIX
DRZ400: Street	00-04	S/O	R	Side	03847360-
GSXR 1000	01-04	S/O	R	Low	03735362-
GSXR 1000	01-04	S/O	R	High	03735361-
GSXR 1000	01-04	S/O	E	Low	03735372-
GSXR 1000	05-06	S/O	R	Low	03736362-
GSXR 1000	05-06	S/O	E	Low	03736372-
GSXR 1000	07-08	S/O	R	Low	03737362-
GSXR 1000	07-08	S/O	E	Low	03737372-
GSXR 1000	09-11	S/O	R	Low	03738362-
GSXR 1000	09-11	S/O	E	Low	03738372-
GSXR 1000	12-13	S/O	E	Low	03751372-
GSXR 600	04-05	S/O	E	Bolt-On	03729374-
GSXR 600	06-07	S/O	E	Under-Body	03730376-
GSXR 600	08-10	S/O	R	Low	03731362-
GSXR 600	08-10	S/O	E	Low	03731372-
GSXR 600/750	11-13	S/O	E	Low	03752372-
GSXR 750	04-05	S/O	E	Bolt-On	03732374-

MODEL	YEAR	SYSTEM	S	MOUNT	NO. PREFIX	BASE MSRP
GSXR 750	06-07	S/O	E	Under-Body	03733376-	
GSXR 750	08-09	S/O	R	Low	03734362-	
GSXR 750	08-09	S/O	E	Low	03734372-	
Hayabusa	02-07	Full	R	Low	03741462-	
Hayabusa	02-07	Full	R	High	03741461-	
Hayabusa	02-07	Full	E	Low	03741472-	
Hayabusa	02-07	Dual S/O	R	Low	03741562-	
Hayabusa	02-07	Dual S/O	R	High	03741561-	
Hayabusa	02-07	Dual S/O	E	Low	03741572-	
Hayabusa	02-07	Big Bird	R	Low	03741862-	
Hayabusa	08-15	Full	R	Low	03740462-	
Hayabusa	08-15	Dual S/O	R	Low	03740562-	
Hayabusa	08-15	Big Bird	R	Low	03740862-	
Hayabusa	99-01	Full	R	Low	03739462-	
Hayabusa	99-01	Full	R	High	03739461-	
Hayabusa	99-01	Full	E	Low	03739472-	
Hayabusa	99-01	Big Bird	R	Low	03739862-	
SV 650	03-09	Full	R	Low	03742462-	
SV 650	03-09	Full	R	High	03742461-	
SV 650	03-09	Full	E	Low	03742472-	

TRIUMPH

MODEL	YEAR	SYSTEM	S	MOUNT	NO. PREFIX
Tiger Explorer	13-15	S/O	E	Side	04821370-



YAMAHA R1: DUAL SLIP ON SYSTEM

YAMAHA

MODEL	YEAR	SYSTEM	S	MOUNT	NO. PREFIX
R1	02-03	S/O	R	Low	04246362-
R1	02-03	S/O	R	High	04246361-
R1	02-03	S/O	E	Low	04246372-
R1	04-06	Dual S/O	E	Seat	04247573-
R1	07-08	Dual S/O	E	Seat	04248573-
R1	09-14	Dual S/O	E	Seat	04249573-
R1	98-01	S/O	R	Low	04245362-
R1	98-01	S/O	R	High	04245361-
R1	98-01	S/O	E	Low	04245372-
R6	03-05	S/O	R	Low	04260362-
R6	03-05	S/O	R	High	04260361-
R6	03-05	S/O	E	Low	04260372-
R6	08-15	S/O	R	Shorty	04261365-
R6	99-02	S/O	R	Low	04259362-
R6	99-02	S/O	R	High	04259361-
R6	99-02	S/O	E	Low	04259372-
Zuma	09-11	Full	R	Side	04265460-



SUZUKI GSX-R1000: SLIP ON SYSTEM



SUZUKI GSX-R1000: SLIP ON SYSTEM



TITAN

(Formerly Swamp Series)

STAINLESS STEEL POWER



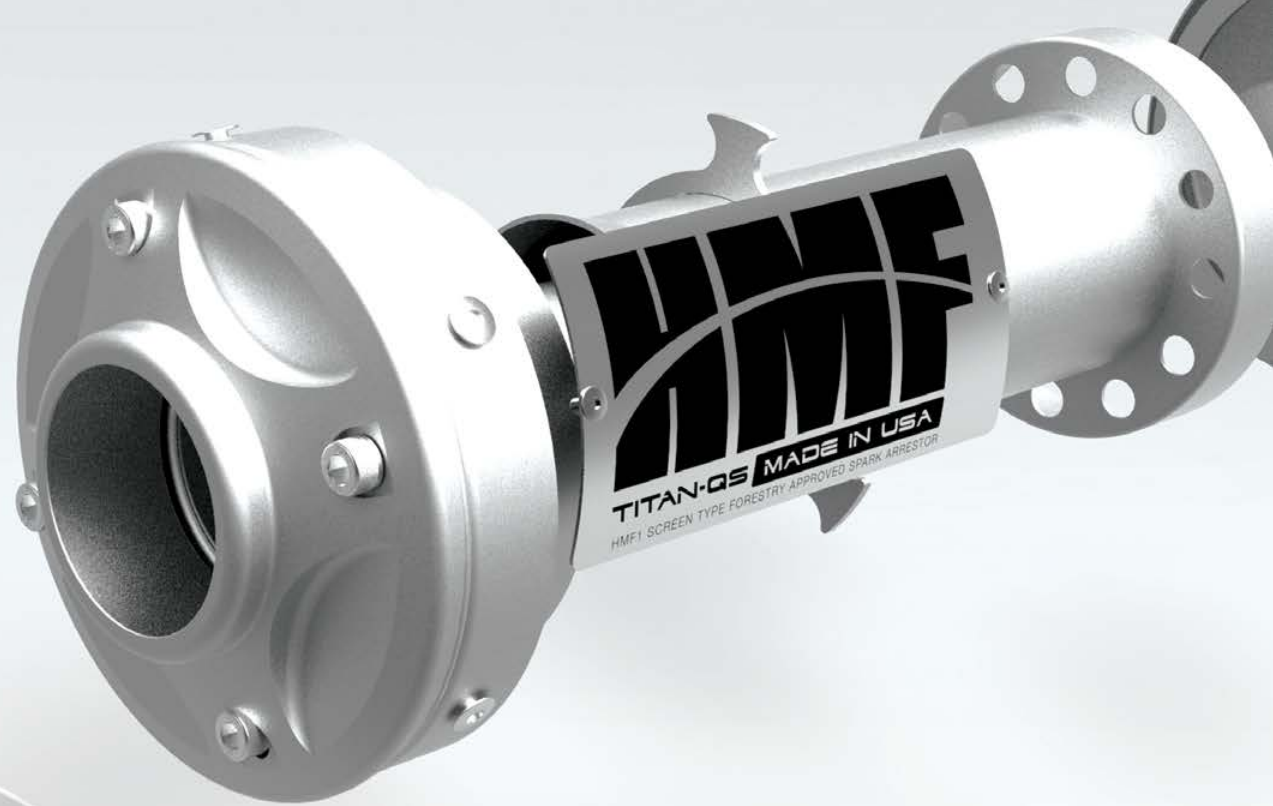
POLARIS RZR XP TURBO EPS: DUAL SLIP ON SYSTEM

The Titan Series (*formerly Swamp*) sets the standard for power, sound, and durability. Our larger diameter exhaust allows us to maximize power production, while minimizing decibel output. For those who want a workhorse exhaust that still barks, we offer the Titan-XL with a loud and aggressive growl.

CHOOSE BETWEEN A QUIET OR LOUD INTERNAL CORE

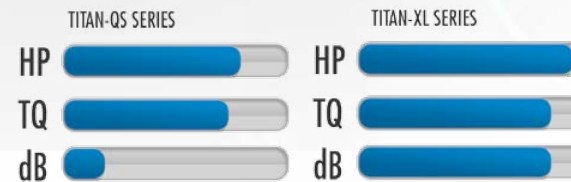
The true beauty of the Titan Series lies in the choice of core. The Titan-QS features a mechanical core design that produces incredible horse power while keeping the sound levels to a minimum. The Titan-XL is the opposite where it's completely unrestricted for maximum volume.

Each has a 304 stainless steel shell that does not readily corrode, rust or stain with water as ordinary steel does. This tough exterior shell gives the Titan Series durability that cannot be matched by any other exhaust system on the market.



SERIOUSLY, LOOK AT THIS END CAP

The large exhaust shell requires an end cap design that can match the power and durability it produces. Made from aluminum, the Billet End Cap offers a mechanical design style that allows use of the HMF exhaust components.



- 
5" DIA. SHELL
- 304**
STAINLESS STEEL
- 
LESS WEIGHT
- 
DYNAMIC VOLUME



ARCTIC CAT WILDCAT 1000: FULL SYSTEM



CAN AM OUTLANDER 1000: SLIP ON SYSTEM



CAN AM OUTLANDER L: SLIP ON SYSTEM

ARCTIC CAT

MODEL	YEAR	SYS	MOUNT	TITAN-QS	TITAN-XL
400/500/650/700/1000	04-14	S/O	Spring	511223687488	711223687488
Prowler 1000	09-13	S/O	Side	512283607488	712283607488
Prowler 700H1	08-10	S/O	Side	512273607488	712273607488
Thundercat 1000	08-14	S/O	Side	511263607488	711263607488
Wildcat 1000	12-14	Full	Side	512304607488	712304607488
Wildcat Trail	14-15	S/O	Side	512313606071	712313606071

CAN AM

MODEL	YEAR	SYS	MOUNT	TITAN-QS	TITAN-XL
Commander 1000	11-13	S/O	Center	516323637488	716323637488
Commander 1000	14-15	S/O	Center	516523637488	716523637488
Commander 800	11-13	S/O	Center	516503637488	716503637488
Commander 800	14-15	S/O	Center	516533637488	716533637488
Outlander 1000	12-16	Full	Side	514374607488	714374607488
Outlander 1000	12-16	S/O	Side	514373607488	714373607488
Outlander 1000 MAX/ XMR	12-15	Full	Side	514474607488	714474607488
Outlander 1000 MAX/ XMR	12-15	S/O	Side	514473607488	714473607488
Outlander 400	09-15	S/O	Side	514413607488	714413607488
Outlander 400 Max	09-15	S/O	Side	514513607488	714513607488
Outlander 500/650/650XMR/800	12-15	Full	Side	514404607488	714404607488
Outlander 500/650/650XMR/800	12-15	S/O	Seat	514403637488	714403637488
Outlander 500/650/800	06-07	Full	Spring	514234687488	714234687488
Outlander 500/650/800	06-07	S/O	Spring	514233687488	714233687488
Outlander 500/650/800	08-12	Full	Clamp	514244677488	714244677488
Outlander 500/650/800	08-12	Full	Spring	514244687488	714244687488
Outlander 500/650/800	08-12	S/O	Clamp	514243677488	714243677488
Outlander 500/650/800	08-12	S/O	Spring	514243687488	714243687488
Outlander 500/650/800 MAX	08	Full	Clamp	514264677488	714264677488
Outlander 500/650/800 MAX	08	S/O	Clamp	514263677488	714263677488
Outlander 500/650/800 MAX	09-12	Full	Clamp	514454677488	714454677488
Outlander 500/650/800 MAX	09-12	S/O	Clamp	514453677488	714453677488
Outlander 500/650/800 MAX	13-15	Full	Side	514484607488	714484607488
Outlander 500/650/800 MAX	13-15	S/O	Side	514483607488	714483607488

MODEL	YEAR	SYS	MOUNT	TITAN-QS	TITAN-XL
Outlander 800 XMR	11-12	Full	Clamp	514464677488	714464677488
Outlander 800 XMR	11-12	S/O	Clamp	514463677488	714463677488
Outlander 800 XMR	15	Full	Clamp	514404607488	714404607488
Outlander 800 XMR	15	S/O	Clamp	514403607488	714403607488
Outlander 850	16	Full	Clamp	514404607488	714404607488
Outlander 850	16	S/O	Clamp	514403607488	714403607488
Outlander L	16	Full	Center	514594637488	714594637488
Outlander L	16	S/O	Center	514593637488	714593637488
Renegade 1000	12-16	Full	Seat	514384637488	714384637488
Renegade 1000	12-16	S/O	Seat	514383637488	714383637488
Renegade 500/800	07-11	Full	Side	514284607488	714284607488
Renegade 500/800	07-11	S/O	Side	514283607488	714283607488
Renegade 500/800	12-15	Full	Seat	514394637488	714394637488
Renegade 500/800	12-15	S/O	Seat	514393637488	714393637488

HONDA

MODEL	YEAR	SYS	MOUNT	TITAN-QS	TITAN-XL
Foreman 450	02-04	S/O	Side	519273607488	719273607488
Foreman 500	05	S/O	Side	519283607488	719283607488
Foreman 500	06-11	S/O	Side	519293607488	719293607488
Foreman 500	12-13	S/O	Side	519643607488	719643607488
Foreman 500	14-16	Full	Side	519674607488	719674607488
Pioneer	14	S/O	Side	522683607488	722683607488
Rancher 420	07-08	S/O	Side	519323607488	719323607488
Rancher 420/IRS	09-13	S/O	Side	519333607488	719333607488
Rancher 420	14-16	Full	Side	519664607488	719664607488
Rincon 650	03-05	S/O	Side	519343607488	719343607488
Rincon 680	06-16	S/O	Side	519353607488	719353607488
Rubicon 500	01-05	S/O	Side	519363607488	719363607488
Rubicon 500	06-14	S/O	Side	519373607488	719373607488
Rubicon 500	15-16	Full	Side	519694607488	719694607488



HONDA RANCHER 420: FULL SYSTEM



POWER YOU CAN USE

Each day the work you do and the tools you use reflect who you are, reliable and strong. Using the HMF Titan Series will allow your tools to reach the high standard needed to finish tomorrow's job today.





KAWASAKI BRUTE FORCE 750: SLIP ON SYSTEM

KAWASAKI

MODEL	YEAR	SYS	MOUNT	TITAN-QS	TITAN-XL
Brute Force 650i	05-11	Full	Side	526224607488	726224607488
Brute Force 650i	05-11	S/O	Side	526223607488	726223607488
Brute Force 750	05-11	Full	Side	526234607488	726234607488
Brute Force 750	05-11	S/O	Side	526233607488	726233607488
Brute Force 650i/750	12-14	Full	Side	526484607488	726484607488
Brute Force 650i/750	12-14	S/O	Side	526483607488	726483607488
Brute Force 750	15-16	3/4 Sys	Side	526521607488	726521607488
Brute Force 750	15-16	Full	Side	526524607488	726524607488
Mule 610	08-14	Full	Side	529314607488	729314607488
Teryx	09-13	Full	Side	529324607488	729324607488
Teryx	09-13	S/O	Side	529323607488	729323607488
Teryx / Teryx 4	11-16	S/O	Side	529513607488	729513607488

POLARIS

MODEL	YEAR	SYS	MOUNT	TITAN-QS	TITAN-XL
Ace	14-15	Full	Center	535524637488	735524637488
Ranger 800 Mid Size	13-14	S/O	Side	535493607488	735493607488
Ranger 800 XP EFI	10-14	S/O	Side	535303607488	735303607488
Ranger 900	13-15	S/O	Side	535473607488	735473607488
RZR® 4 800	10	Full	Side	535384607488	735384607488
RZR®570	12	Full	Side	535454607488	735454607488
RZR®570	12	S/O	Side	535453607488	735453607488
RZR®570	13-15	Full	Side	535484607488	735484607488
RZR®570	13-15	S/O	Side	535483607488	735483607488
RZR®800	08-10	Full	Side	535324607488	735324607488
RZR®S 900	15-16	S/O	Center	535543637488	735543637488
RZR®S 800	08-10	Full	Side	535404607488	735404607488
RZR®S 800	11-14	Full	Side	535444607488	735444607488

MODEL	YEAR	SYS	MOUNT	TITAN-QS	TITAN-XL
RZR®XP 900	11-14	S/O	Side	535393607488	735393607488
RZR®XP 1000	14	Dual Full	Center	535506637487	735506637487
RZR®XP 1000	15-16	Dual Full	Center	535556637487	735556637487
RZR®XP 4 1000	14	Dual Full	Center	535516637487	735516637487
RZR®XP 4 1000	15-16	Dual Full	Center	535566637487	735566637487
RZR®S 1000	16	S/O	Center	535593637488	735593637488
RZR®XP/4 Turbo EPS	16	Dual S/O	Center	535605637487	735605637487
Scrambler 1000	14-15	Full	Side	534534607488	734534607488
Scrambler 850 XP	12-15	Full	Side	534494607488	734494607488
Sportsman 1000	15-16	Full	Center	534554637488	734554637488
Sportsman 400/500	02-14	S/O	Side	534413607488	734413607488
Sportsman 570	14-16	S/O	Side	534513607488	734513607488
Sportsman 600/700/800	10-14	S/O	Side	534263607488	734263607488
Sportsman 800 X2	06-09	S/O	Side	534433607488	734433607488
Sportsman 550/850 X2	10	S/O	Side	534293607488	734293607488
Sportsman 550/850 XP	08-09	S/O	Side	534273607488	734273607488
Sportsman 550/850 XP	10-15	S/O	Side	534283607488	734283607488
Sportsman ETX	15	S/O	Side	534583607488	734583607488

SUZUKI

MODEL	YEAR	SYS	MOUNT	TITAN-QS	TITAN-XL
King Quad 700/750	08-15	S/O	Side	536243607488	736243607488

YAMAHA

MODEL	YEAR	SYS	MOUNT	TITAN-QS	TITAN-XL
Grizzly 550	08-14	S/O	Side	541263607488	741263607488
Grizzly 660	02-08	Full	Side	541284607488	741284607488
Grizzly 660	02-08	S/O	Side	541283607488	741283607488
Grizzly 700	07-16	S/O	Side	541293607488	741293607488
Kodiak 700	16	S/O	Side	541743607488	741743607488
Rhino 700	08-13	S/O	Side	544433607488	744433607488
Viking	14-15	S/O	Side	544713607488	744713607488
YZX 1000R	16	Full	Center	544754637488	744754637488
YZX 1000R	16	S/O	Center	544753637488	744753637488



YAMAHA KODIAK 700: SLIP ON SYSTEM



POLARIS RZR TURBO EPS: DUAL SLIP ON SYSTEM: BLACKOUT



POLARIS SCRAMBLER 850: FULL SYSTEM



YAMAHA YZX 1000R: SLIP ON SYSTEM

SWAMP

TITAN POWER WITH SNORKEL REACH



HONDA RUBICON: SLIP ON EXHAUST & SNORKEL

Take the durable, stainless steel power from our Titan Series and strap a snorkel on it. The Swamp Series is an exhaust system that's designed for riders to go deep water mudding without completely destroying their engine and exhaust. The tig welded inlet keeps water out, and the snorkel system keeps you breathing.

Take a stand, deep in the mud.

Arctic Cat | Can Am | Honda | Kawasaki | Polaris | Suzuki | Yamaha

SNORKEL SYSTEM ATTACHED

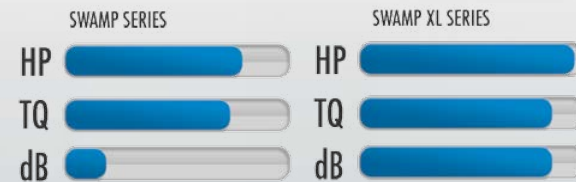
The HMF Swamp Snorkel is a specially designed snorkel system for your quad. Made of 304 Stainless Steel, the snorkel system attaches to your Titan exhaust making it a Swamp exhaust. If you're a serious "mudder" looking to tackle the muddy waters, the HMF Swamp Snorkel system will help you get the job done without breaking your bike.

CHOOSE YOUR SOUND LEVEL

Just like the Titan, the Swamp Series is available in two core options. The Swamp features a mechanical core design that produces incredible horse power while keeping the sound levels to a minimum and the Swamp XL is the opposite where it's completely unrestricted for maximum volume.



* Swamp Series exhausts are only available with snorkels




5" DIA. SHELL

304
STAINLESS STEEL


LESS WEIGHT


DYNAMIC VOLUME



ARCTIC CAT

MODEL	YEAR	SYSTEM	MOUNT	SWAMP	SWAMP-XL
400/500/650/700/1000	06-14	S/O	Spring	211223687496	311223687496
Thundercat 1000	08-14	S/O	Side	211263607496	311263607496

CAN AM

MODEL	YEAR	SYSTEM	MOUNT	SWAMP	SWAMP-XL
Outlander 1000	12-15	Full	Side	214374607496	314374607496
Outlander 1000	12-15	S/O	Side	214373607496	314373607496
Outlander 1000 MAX/XMR	13-15	Full	Side	214474607496	314474607496
Outlander 1000 MAX/XMR	13-15	S/O	Side	214473607496	314473607496
Outlander 500/650/650XMR/800	12-15	Full	Side	214404607496	314404607496
Outlander 500/650/800	06-07	Full	Spring	214234687496	314234687496
Outlander 500/650/800	06-07	S/O	Spring	214233687496	314233687496
Outlander 500/650/800	08-11	Full	Clamp	214244677496	314244677496
Outlander 500/650/800	08-11	Full	Spring	214244687496	314244687496
Outlander 500/650/800	08-11	S/O	Clamp	214243677496	314243677496
Outlander 500/650/800	08-11	S/O	Spring	214243687496	314243687496
Outlander 500/650/800	12-15	S/O	Side	214403607496	314403607496
Outlander 500/650/800 MAX	08	Full	Clamp	214264677496	314264677496
Outlander 500/650/800 MAX	08	S/O	Clamp	214263677496	314263677496
Outlander 500/650/800 MAX	09-12	Full	Clamp	214454677496	314454677496
Outlander 500/650/800 MAX	09-12	S/O	Clamp	214453677496	314453677496
Outlander 500/650/800 MAX	13-15	Full	Side	214484607496	314484607496
Outlander 500/650/800 MAX	13-15	S/O	Side	214483607496	314483607496
Outlander 800 XMR	11-12,15	Full	Clamp	214464677496	314464677496
Outlander 800 XMR	11-12,15	S/O	Clamp	214463677496	314463677496
Renegade 1000	12-15	Full	Seat	214384637496	314384637496
Renegade 1000	12-15	S/O	Seat	214383637496	314383637496
Renegade 500/800	07-11	Full	Side	214284607496	314284607496
Renegade 500/800	07-11	S/O	Side	214283607496	314283607496
Renegade 500/800	12-15	Full	Seat	214394637496	314394637496
Renegade 500/800	12-15	Full	Side	214284607496	314284607496
Renegade 500/800	12-15	S/O	Seat	214393637496	314393637496
Renegade 500/800	12-15	S/O	Side	214283607496	314283607496

HONDA

MODEL	YEAR	SYSTEM	MOUNT	SWAMP	SWAMP-XL
Foreman 450	02-04	S/O	Side	219273607496	319273607496
Foreman 500	05	S/O	Side	219283607496	319283607496
Foreman 500	06-11	S/O	Side	219293607496	319293607496
Foreman 500	12-13	S/O	Side	219643607496	319643607496

MODEL	YEAR	SYSTEM	MOUNT	SWAMP	SWAMP-XL
Foreman 500	14-15	Full	Side	219674607496	319674607496
Rancher 420	07-08	S/O	Side	219323607496	319323607496
Rancher 420	09-13	S/O	Side	219333607496	319333607496
Rancher 420	14-16	Full	Side	219664607496	319664607496
Rincon 650	03-05	S/O	Side	219343607496	319343607496
Rincon 680	06-15	S/O	Side	219353607496	319353607496
Rubicon 500	01-05	S/O	Side	219363607496	319363607496
Rubicon 500	06-14	S/O	Side	219373607496	319373607496
Rubicon 500	15	Full	Side	219694607496	319694607496

KAWASAKI

MODEL	YEAR	SYSTEM	MOUNT	SWAMP	SWAMP-XL
Brute Force 650i	05-13	Full	Side	226224607496	326224607496
Brute Force 650i	05-13	S/O	Side	226223607496	326223607496
Brute Force 750	05-11	Full	Side	226234607496	326234607496
Brute Force 750	05-11	S/O	Side	226233607496	326233607496
Brute Force 750	12-14	Full	Side	226484607496	326484607496
Brute Force 750	12-14	S/O	Side	226483607496	326483607496
Brute Force 750	15	3/4	Side	226521607496	326521607496
Brute Force 750	15	Full	Side	226524607496	326524607496

POLARIS

MODEL	YEAR	SYSTEM	MOUNT	SWAMP	SWAMP-XL
Sportsman 400/500	02-14	S/O	Side	234413607496	334413607496
Sportsman 550/850 XP	10-15	S/O	Side	234283607496	334283607496
Sportsman 600/MV/700/800	10-14	S/O	Side	234263607496	334263607496
Sportsman 800 X2	06-09	S/O	Side	234433607496	334433607496
Sportsman 850 X2	10	S/O	Side	234293607496	334293607496
Sportsman 850 XP	08-09	S/O	Side	234273607496	334273607496

SUZUKI

MODEL	YEAR	SYSTEM	MOUNT	SWAMP	SWAMP-XL
King Quad 700/750	05-14	S/O	Side	236243607496	336243607496

YAMAHA

MODEL	YEAR	SYSTEM	MOUNT	SWAMP	SWAMP-XL
Grizzly 660	02-08	Full	Side	241284607496	341284607496
Grizzly 660	02-08	S/O	Side	241283607496	341283607496
Grizzly 700	07-16	S/O	Side	241293607496	341293607496



COMPETITION

DYNAMIC HORSE POWER AND SOUND



YAMAHA YFZ 450: FULL SYSTEM

The HMF Competition Series exhaust was designed and tested for sport ATVs. Our specialty TriMax Core technology allows us to stretch the power of a straight through core across the full RPM range. Combine this with our three stage inserts and you have the ability to change the power and sound of your ride on the fly.



4" DIA. SHELL

T6061

ALUMINUM



LESS WEIGHT



TRIMAX CORE

Arctic Cat | Can Am | Honda | Kawasaki | KTM | Kymco | Polaris | Suzuki | Yamaha



IT'S ACTUALLY A TRIANGLE

This is the secret to the Competition's unique power increase. The Trimax Core has a triangular shaped portion that unleashes large horse power and torque gains in specific race fields of the RPM range.

HANG ON TO THESE LITTLE GUYS

The Competition Series features three removable inserts that change the power and sound levels of the exhaust. With a simple insert change, you can dictate the type of power and sound you need, when you need it.

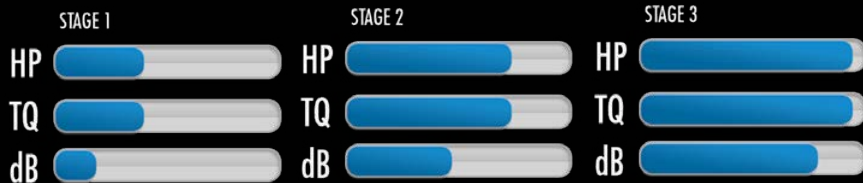




PHOTO ATV WORLD MAGAZINE

ARCTIC CAT

MODEL	YR	SYS	S	MOUNT	PART NO.
DVX 400	04-08	Full	R	Side	111254606186
DVX 400	04-08	S/O	R	Side	111253606186

CAN AM

MODEL	YR	SYS	S	MOUNT	PART NO.
DS450	08-14	Full	R	Side	114214606186
DS450	08-14	S/O	R	Side	114213606186
DS650	00-07	S/O	R	Side	114223606186

HONDA

MODEL	YR	SYS	S	MOUNT	PART NO.
TRX 250X	87-92	S/O	R	Side	119223606186
TRX 250X/EX	11-14	Full	R	Side	119234606186
TRX 300	93-12	Full	R	Side	119244606186
TRX 300	93-12	S/O	R	Side	119243606186
TRX 400	99-14	Full	R	Side	119254606186
TRX 400	99-14	S/O	R	Side	119253606186
TRX 450R	04-05	Full	E	Side	119384706186
TRX 450R	04-05	Full	R	Side	119384606186
TRX 450R	04-05	MX	E	Side	119387706186
TRX 450R	04-05	MX	R	Side	119387606186
TRX 450R	04-05	S/O	E	Side	119383706186
TRX 450R	04-05	S/O	R	Side	119383606186
TRX 450R	06-14	Full	E	Side	119394706186
TRX 450R	06-14	Full	R	Side	119394606186
TRX 450R	06-14	MX	E	Side	119397706186
TRX 450R	06-14	MX	R	Side	119397606186
TRX 450R	06-14	S/O	E	Side	119393706186
TRX 450R	06-14	S/O	R	Side	119393606186
TRX 700XX	08-09	Full	R	Side	119404606186
TRX 700XX	08-09	S/O	R	Side	119403606186

KAWASAKI

MODEL	YR	SYS	S	MOUNT	PART NO.
KFX 400	03-06	Full	R	Side	126244606186
KFX 400	03-06	S/O	R	Side	126243606186
KFX 450R	08-13	Full	R	Side	126254606186
KFX 450R	08-13	S/O	R	Side	126253606186
KFX 700	04-10	Dual Full	R	Side	126266606186
KFX 700	04-10	S/O	R	Side	126263606186

KTM

MODEL	YR	SYS	S	MOUNT	PART NO.
450/505 SX	09-13	Full	E	Seat	130224736186
450/505 SX	09-13	S/O	E	Seat	130223736186
450/525 XC	08-13	Full	E	Seat	130214736186
450/525 XC	08-13	S/O	E	Seat	130213736186

MODEL	YR	SYS	S	MOUNT	PART NO.
990 Adventure	04-09	S/O	E	Side	145253706186
990 Adventure	07-08	Dual S/O	R	Side	145245606186

KYMCO

MODEL	YR	SYS	S	MOUNT	PART NO.
Mongoose 300	06-09	Full	R	Side	131214606186

POLARIS

MODEL	YR	SYS	S	MOUNT	PART NO.
Outlaw 450/525: SRA	08-10	S/O	E	Seat	134253736186
Outlaw 450/525: SRA	08-10	S/O	R	Side	134253606186
Outlaw 500	06-07	Full	E	Seat	134234736186
Outlaw 500	06-07	S/O	E	Seat	134233736186
Outlaw 525: IRS	07-11	S/O	E	Seat	134243736186
Predator	03-07	Full	R	Side	134214606186
Predator	03-07	S/O	R	Side	134213606186

SUZUKI

MODEL	YR	SYS	S	MOUNT	PART NO.
LT-R 450	06-10	Full	E	Seat	136254736186
LT-R 450	06-10	MX	E	Seat	136257736186
LT-R 450	06-10	S/O	E	Seat	136253736186
LTZ 250	04-09	S/O	R	Side	136273606186
LTZ 400	03-14	Full	R	Side	136264606186
LTZ 400	03-14	S/O	R	Side	136263606186

YAMAHA

MODEL	YR	SYS	S	MOUNT	PART NO.
Raptor 125	11-14	Full	R	Side	141674606186
Raptor 125	11-14	S/O	R	Side	141673606186
Raptor 250	08-14	Full	R	Side	141334606186
Raptor 250	08-14	S/O	R	Side	141333606186
Raptor 350	05-13	S/O	R	Side	141343606186
Raptor 660	01-05	Full	R	Side	141354606186
Raptor 660	01-05	S/O	R	Side	141353606186
Raptor 700	06-14	Full	R	Side	141364606186
Raptor 700	06-14	S/O	R	Side	141363606186
Raptor 700	15-16	Full	R	Side	141724606186
Raptor 700	15-16	S/O	R	Side	141723606186
Warrior	87-04	S/O	R	Side	141373606186
YFZ 450	04-13	Full	E	Side	141404706186
YFZ 450	04-13	Full	R	Side	141404606186
YFZ 450	04-13	S/O	E	Side	141403706186
YFZ 450	04-13	S/O	R	Side	141403606186
YFZ 450R-X	09-16	Full	E	Side	141414706186
YFZ 450R-X	09-16	Full	R	Side	141414606186
YFZ 450R-X	09-16	S/O	E	Side	141413706186
YFZ 450R-X	09-16	S/O	R	Side	141413606186 \$349.95



YAMAHA RAPTOR 125: COMPETITION FULL SYSTEM



YAMAHA YFZ 450: COMPETITION FULL SYSTEM

EXHAUST ACCESSORIES



HEAD PIPES

MANUFACTURER	MODEL	YEAR	PART NO.
Arctic Cat	DVX 400	03-10	6112509
Kawasaki	KFX 400	03-06	6262409
Polaris	Predator	03-07	6342109
Polaris	Outlaw 500	06-07	6342309
Suzuki	LT-R 450	06-10	6362509
Suzuki	LT-Z 400	03-14	6362609
Yamaha	Grizzly 600	02-08	6412809
Yamaha	Raptor 660	01-05	6413509
Yamaha	Raptor 700	06-13	6413609
Yamaha	YFZ 450	04-14	6414009
Yamaha	YFZ 450 R	09-13	6414109



QUIET CORE & SPARK ARRESTOR

The HMF Quiet Core is an insert made of 1010 Steel that decreases sound levels approximately 3-6 dB.

Fits most exhaust series

PART	MSRP	PART NO.
QUIET CORE	\$29.95	6946006
SPARK ARRESTER	\$19.95	6956006
QUIET CORE & SPARK ARRESTER	\$48.95	QCSP2



EXHAUST NAMEPLATES

Nameplates can get damaged or lose their luster over the lifespan of an exhaust. We offer replacement nameplates for every HMF exhaust series.

NAMEPLATE	PART NO.
Performance	6986001
Performance - Red	6986012
Performance - Street	6986008
Performance - Street - Red	6986002
Performance - Street - Blue	6986003
QRS	6986004
Gorilla	6986005
Penland	6986006
Swamp	6986011
Swamp XL	6986007
Ecosystem	6986009
Mini	6986010
Titan-QS	6986014
Titan-XL	6986015



The O2 Weld-In Bungs from HMF work with high-end after-market exhaust systems. These bungs are made from Stainless Steel and fit standard bosch O2 sensors.

O2 BUNG: 18mm

PART NO.
6957005

O2 BUNG: 12mm

PART NO.
6957006



TORQUE RANGE MODIFIER

The Torque Range Modifier (TRM) is an insert that broadens the available torque range of the machine allowing for better "hook up" in certain conditions.

PART NO.
6966006

SWAMP SNORKEL

The HMF Swamp Snorkel is a specially designed snorkel system for your quad. Made of 304 Stainless Steel, the snorkel system attaches to your Titan exhaust with all the provided hardware. If you're a serious "mudder" looking to tackle the muddy waters, the HMF Swamp Snorkel system will help you get the job done without breaking your bike.



MAN.	MODEL	YEAR	PART NO.
Arctic Cat	650H1/TRV	06-09	611220000301
Arctic Cat	THUNDER CAT 1000	08-12	611220000301
Can Am	OUTLANDER 650	06-11	614300000301
Can Am	OUTLANDER 800	06-11	614310000301
Can Am	OUTLANDER 800	12	614400000301
Can Am	OUTLANDER 1000	12	614370000301
Can Am	RENEGADE 800	06-11	614280000301
Can Am	RENEGADE 800	12	614390000301
Can Am	RENEGADE 1000	12	614380000301
Honda	FOREMAN 450	98-04	619260000301
Honda	FOREMAN 500	05	619280000301
Honda	FOREMAN 500	06-11	619290000301
Honda	FOREMAN 500	12	619640000301
Honda	RANCHER 420	07-11	619320000301

MAN.	MODEL	YEAR	PART NO.
Honda	RINCON 650	03-05	619340000301
Honda	RINCON 680	06-11	619350000301
Honda	RUBICON 500	01-05	619360000301
Honda	RUBICON 500	06-11	619370000301
Kawasaki	BRUTE FORCE 650i	06-10	626220000301
Kawasaki	BRUTE FORCE 750	05-11	626230000301
Polaris	SPORTSMAN 650-700-800	03-12	634260000301
Polaris	SPORTSMAN 550/850	08-09	634370000301
Polaris	SPORTSMAN 550/850	10-12	634460000301
Polaris	SPORTSMAN 400-500	02-11	634410000301
Suzuki	KING QUAD 700/750	01-12	636240000301
Yamaha	GRIZZLY 660	02-08	641280000301
Yamaha	GRIZZLY 700	07-09	641290000301



12" EXTENSION

The snorkel extension is used to help users take their quads 12 inches deeper in the mud.

MATERIAL	PART NO.
BRUSHED	600120000301



BILLET END CAP

Made out of Stainless Steel, the Billet End Cap acts as a replacement for a Titan or Swamp end Cap.

MATERIAL	PART NO.
BRUSHED	6937406



BILLET - TURN DOWN

The Billet Turn Down connects to the HMF Titan/Swamp Series End Cap and redirects the sound away from the rider.

MATERIAL	PART NO.
BRUSHED	6938006



END CAP SCREW KIT

The End Cap Screw Kit is intended to replace the current allen screws on your HMF Performance, Competition, Titan or Swamp End Cap.

MATERIAL	PART NO.
PERFORMANCE/COMPETITION	6999999
TITAN/SWAMP	6999995



GEN 3/3.5 OPTIMIZER

This GEN 3.5 fuel controller allows you to choose the stage of tuning you require through the available tuning modes.

MAN.	MODEL	YEAR	PART NO.
Arctic Cat	700 EFI	07-08	611242360001
Arctic Cat	Prowler 700 H1	08-10	612272360001
Can Am	Commander	11-13	616322360001
Can Am	Maverick	13-15	616432360001
Can Am	Maverick MAX	13-15	616432360001
Can Am	Spyder	08-12	615292360001
Can-Am	DS 450	08-12	614212360001
Can-Am	Outlander 400	09-13	614412360001
Can-Am	Outlander L	15-16	614592360001
Can-Am	Outlander 500	07-13	614232360001
Can-Am	Outlander 650	06-09	614232360001
Can-Am	Outlander 650	10-12	614342360001
Can-Am	Outlander 800	06-08	614232360001
Can-Am	Outlander 800	09-11	614352360001
Can-Am	Outlander 850	16	614402360008
Can-Am	Outlander-Renegade 800-1000	16	614402360006
Can-Am	Outlander-Renegade 800-1000	12-14	614402360001
Can-Am	Outlander-Renegade 800-1000	15	614402360005
Can-Am	Renegade 500/800	07-08	614442360001
Can-Am	Renegade 500/800	09-11	614282360001
Can-Am	Renegade 800	09-11	614282360001
Honda	CBR 250R	11-13	620602360001
Honda	CBR 500	13	620652360001
Honda	Foreman 500	12-13	619642360001
Honda	Foreman 500	14	619672360001

MAN.	MODEL	YEAR	PART NO.
Honda	Grom	14	620662360001
Honda	Rancher 420	07-08	619322360001
Honda	Rancher 420: IRS	09-14	619332360001
Honda	Rancher 420: SRA	14-15	619662360001
Honda	Rincon 680	06-14	619352360001
Honda	Rincon 680	15	619352360006
Honda	Rubicon 500	15	619692360001
Honda	TRX700XX	08-09	619402360001
Husqvarna	SM450R	2008	624212360001
Kawasaki	Brute Force 750	08-11	626462360001
Kawasaki	Brute Force 750	12-14	626482360001
Kawasaki	Brute Force 750	15	626522360001
Kawasaki	KFX 450R	08-13	626252360001
Kawasaki	Teryx	09-13	626472360001
Kawasaki	Teryx 4	11-14	629512360001
Polaris	Ace	14	635522360001
Polaris	Ace 570	15	635572360001
Polaris	Ranger 800 (EFI and mid-size)	11-14	635492360001
Polaris	Ranger 800 EFI 4x4	10	635302360001
Polaris	Ranger 900	13-14	635472360001
Polaris	RZR®S 570	12-15	635452360001
Polaris	RZR®S 1000	16	639592360001
Polaris	RZR®S 800	11-14	635442360001
Polaris	RZR®S 900	15	635542360001
Polaris	RZR®S 900	16	639592360001
Polaris	RZR®XP 1000	14	639502360001
Polaris	RZR®XP 1000	15-16	639552360001
Polaris	RZR®XP 900	11-14	639302360001
Polaris	Scrambler 1000	14-15	634532360001
Polaris	Scrambler 850	12-15	634492360001
Polaris	Sportsman 1000	15	634552360001
Polaris	Sportsman 550	09-12	634272360001
Polaris	Sportsman 570	14-16	634512360001
Polaris	Sportsman 800	02-12	634362360001
Polaris	Sportsman 800 X2	06-09	634362360001
Polaris	Sportsman 850	09-10	634282360001
Polaris	Sportsman 850	12-15	634462360001
Polaris	Sportsman ETX	15	634582360001
Suzuki	King Quad 450/500	09-12	636232360001
Suzuki	King Quad 700	05-09	636242360001
Suzuki	King Quad 750	08-14	636502360001
Suzuki	LT-Z 400	09-14	636492370001
Yamaha	Grizzly 550	08-14	641262360001

MAN.	MODEL	YEAR	PART NO.
Yamaha	Grizzly 700	07-13	641292360001
Yamaha	Grizzly 700	14-15	641292360009
Yamaha	Grizzly 700	16	641292360008
Yamaha	Kodiak 700	15-16	641742360001
Yamaha	Raptor 700	06-14	641362360001
Yamaha	Raptor 700	15	641722360001
Yamaha	Rhino 700	08-12	641432360001
Yamaha	Wolverine R-Spec	16	644732360001
Yamaha	WR 250R	08-14	643562360001
Yamaha	YZF 450R	09-14	641412360001
Yamaha	YZX 1000R	16	644752360001



ECU FLASH

Designed specifically with HMF Exhaust Systems, the HMF ECU Flash erases the machine's manufacturer presets and replaces it with a new Engine Control Map (ECM), and is available with your Stock ECU Unit.

MAN.	MODEL	UNIT	YEAR	PART NO.
Polaris	RZR®XP Turbo EPS	Stock	16	635602360025
Polaris	RZR®XP Turbo EPS	New	16	635602360035
Can Am	Maverick	Stock	13-15	616432360025
Can Am	Maverick XDS Turbo	Stock	15	616572360025
Polaris	Ranger XP 900	Stock	12-15	635472360025
Polaris	RZR S 900	Stock	15-16	639552360025
Polaris	RZR XP 1000	Stock	15-16	639502360025

AFR+ GEN 4 CONTROLLER

The AFR+ combines an EFI controller with a wideband O2 sensor and AFR gauge to provide a user instant fuel trimming ability and feedback about their vehicle's state of tune.

MAN.	MODEL	YEAR	PART NO.
Arctic Cat	Prowler 1000	09-12	612282360005
Arctic Cat	Wildcat Trail	12	612312360005
Can Am	Commander	11-14	616522360005
Can Am	Maverick	13-14	616432360005
Can Am	Maverick MAX	13-14	616492360005
Polaris	RZR®S 1000	16	639552360005
Polaris	RZR®S 900	15	639502360005
Polaris	RZR®S 900	16	639552360005
Polaris	RZR®XP 1000	14	639502360005
Polaris	RZR®XP 1000	15-16	639552360005
Polaris	RZR®XP 4 1000	14	639512360005
Polaris	RZR®XP 4 1000	15-16	639562360005
Polaris	RZR®XP Turbo EPS	16	635602360005
Polaris	RZR®XP 4 Turbo EPS	16	635602360004
Polaris	RZR®XP 900	11-14	639302360005
Yamaha	Rhino 700	08-13	644432360005
Yamaha	Viking	14	644712360005
Yamaha	YZX 1000R	16	644752360005



BASIC JET KIT

The Basic Jet Kit from HMF includes all the required tuning jets to properly tune your machine with an HMF Exhaust system.

MAN	MODEL	YEAR	PART NO.
Arctic Cat	650 H1: TRV	07-09	\$29.95 611222360001
Arctic Cat	650 V-TWIN	04-06	611232360001
Arctic Cat	DVX 400	04-08	611252360001
Can Am	DS650	00-07	614222360001
Can Am	DS90	13-14	614422360001
Honda	Foreman 450	98-04	619272360001
Honda	Foreman 500	05-06	619282360001
Honda	Foreman 500	07-11	619592360001
Honda	Honda TRX 250X	87-92	619222360001
Honda	Rancher 350	00-06	619302360001
Honda	Rancher 400	04-07	619312360001
Honda	Recon 250	97-14	619632360001
Honda	Rincon 650	03-05	619342360001
Honda	Rubicon 500	01-04	619362360001
Honda	Rubicon 500	05-06	619372360001
Honda	Rubicon 500	07-14	619372360001
Honda	TRX 250EX	01-10	619232360001
Honda	TRX 300	93-12	619242360001
Honda	TRX 400	99-14	619252360001
Honda	TRX250X	11-14	619232360001
Honda	TRX450R	04-05	619382360001
Honda	TRX450R	06	619392360001
Honda	TRX450R	07-14	619562360001
Kawasaki	Brute Force 650	05-13	626212360001
Kawasaki	Brute Force 650i	05-13	626222360001
Kawasaki	Brute Force 750	05-07	626232360001

MAN	MODEL	YEAR	PART NO.
Kawasaki	KFX 400	03-06	626242360001
Kawasaki	KFX 700	04-09	626262360001
Kawasaki	Prairie 360	03-13	626272360001
Kawasaki	Prairie 650	02-03	626282360001
Kawasaki	Prairie 700	04-06	626302360001
Kawasaki	Teryx	08	626322360001
KTM	ATV 450/505 SX	09-13	630222360001
KTM	ATV 450/525 XC	08-13	630212360001
Polaris	Outlaw 450/525: SRA	08-10	634242360001
Polaris	Outlaw 500	06-07	634232360001
Polaris	Outlaw 525: IRS	07-11	634242360001
Polaris	Predator	03-07	634212360001
Polaris	Sportsman 400	04-11	634412360001
Polaris	Sportsman 500	02-11	634422360001
Suzuki	Eiger	02-07	636212360001
Suzuki	King Quad 400	08-10	636222360001
Suzuki	LT-Z 250	04-09	636272360001
Suzuki	LT-Z 400	03-08	636262360001
Suzuki	Vinson	02-07	636282360001
Yamaha	Big Bear 400	00-12	641212360001
Yamaha	Bruin 350	04-06	641222360001
Yamaha	Grizzly 350	07-11	641222360001
Yamaha	Grizzly 400	07-08	641242360001
Yamaha	Grizzly 450	07-14	641242360001
Yamaha	Grizzly 600	98-01	641272360001
Yamaha	Grizzly 660	02-08	641282360001
Yamaha	Kodiak 400	00-06	641302360001
Yamaha	Kodiak 450	03-06	641312360001
Yamaha	Raptor 125	11-14	641672360001
Yamaha	Raptor 250	08-14	641332360001
Yamaha	Raptor 660	01-08	641352360001
Yamaha	Rhino 660	04-07	641422360001
Yamaha	Warrior	87-04	641372360001
Yamaha	Wolverine 350	94-09	641392360001
Yamaha	Wolverine 450	06-10	641442360001
Yamaha	YFZ 450	04-09	641402360001
Yamaha	YFZ 450	12-13	641702360001
Yamaha	Kodiak 400	04-06	641692360001
Yamaha	Kodiak 450	03-04	641312360001
Yamaha	Kodiak 450	05-06	641662360001

MAN	MODEL	YEAR	PART NO.
Yamaha	Raptor 125	11	641672360001
Yamaha	Raptor 250	08-10	641332360001
Yamaha	Raptor 660	01-05	641352360001
Yamaha	Rhino 660	04-07	641422360001
Yamaha	Warrior	87-04	641372360001
Yamaha	Wolverine 350	06-09	641392360001
Yamaha	Wolverine 350	94-05	641382360001
Yamaha	Wolverine 450	06-10	641442360001
Yamaha	WR 450F	03-05	643572360001
Yamaha	YFZ 450	04-10	641402360001
Yamaha	YFZ 450	12	641702360001
Yamaha	YZ 250F	03-04	643502360001
Yamaha	YZ 250F	05	643512360001
Yamaha	YZ 250F	06-10	643522360001
Yamaha	YZ 426F	98-02	643532360001
Yamaha	YZ 450F	03-06	643622360001

SUZUKI LT-R 450 MAP KEY

The HMF Map Key is designed specifically for the Suzuki LT-R450, and will tune the machine to the correct specifications for an HMF exhaust system.

MAN.	MODEL	YEAR	PART NO.
Suzuki	LT-R 450	06-10	636252360001



PE28 CARB ENGINE KIT

The Keihin PE28 Carburetor from HMF is designed to be used with the HMF Raptor 125 Full Exhaust System, Gaskets, Uni Filter, WISECO #4752M05400 Piston, and HotCams #4019-1 Camshaft . It features a modified Keihin PE28 Carburetor with a custom cable for use with the stock thumb throttle.

MAN.	MODEL	YEAR	PART NO.
Yamaha	Raptor 125	11	641672360006



Defender U4 Front Bumper



IQ EQUIPMENT

INTELLIGENTLY DESIGNED FOR SUPERIOR QUALITY

The same manufacturing philosophy that HMF has used for decades in exhaust systems, has been transformed into the new IQ Defense Equipment lineup. Built from the highest quality materials, the IQ lineup is designed to protect your vehicle while you concentrate on the ride. Our advanced manufacturing techniques are used on all IQ products, leading the way into the future of defense equipment.

Arctic Cat | Can Am | Honda | Polaris | Suzuki | Yamaha



ATV BUMPERS



UTV BUMPERS



NERF & HEEL GUARDS



ACCESSORIES



ARCTIC CAT TRAIL

DEFENDER | FRONT BUMPER

FITS: 2014-2015

BLACK	9123112661
GREEN	9123112665

CAN AM COMMANDER

DEFENDER | FRONT BUMPER

FITS: 2011-2016 Commander 800 & 1000

BLACK	9163212661
YELLOW	9163212663



MAVERICK XDS

DEFENDER | REAR BUMPER

FITS: 2015-2016

BLACK	9165712661
RED	9165712666
VENOM GREEN	9165712675

MAVERICK XDS

DEFENDER | FRONT BUMPER

FITS: 2013-2016 Maverick DPS, XC, X XC, X MR, X DS, Max X DS

Maverick Turbo, X DS Turbo, X RS Turbo, Max Turbo, Max X DS Turbo, Max X RS Turbo

BLACK	9164312661
VENOM GREEN	9164312675
YELLOW	9164312663
RED	9164312666

HONDA TRX 450R

DEFENDER | FRONT BUMPER

FITS: 2004-2014



CAN AM RENEGADE

DEFENDER | FRONT BUMPER

FITS: 2012-2016 Renegade 800 & 1000

BLACK 9143912461



MX

XC

MX 9193912461

XC 9193912661

HONDA TRX 450R

DEFENDER | REAR BUMPER



2004-2005	9193812561
2006-2013	9193912561

HONDA TRX 450R

NERF GUARD | COMBO SET



NERF & HEEL COMBO	9193912161
HEEL GUARDS ONLY	9193912361
FOOT PEGS ONLY	9193987961



POLARIS ACE 570

DEFENDER | FRONT BUMPER

FITS: 2015-2016

BLACK	9355712461
BLUE	9355712464
RED	9355712466
WHITE	9355712483



POLARIS RZR® 570

DEFENDER | FRONT BUMPER

FITS: 2012-2016

BLACK	9354812461	
-------	------------	--



POLARIS RZR® 800

DEFENDER | FRONT BUMPER

FITS: 2008-2014

BLACK	9354412461	
-------	------------	--

POLARIS RZR® S 900

DEFENDER | FRONT BUMPER

FITS: 2015-2016

HD	BLACK	9355012661
HD	BLUE	9355012664
HD	RED	9355012666
HD	ORANGE	9355012668
HD	VENOM	9355012675
HD	WHITE	9355012683
U4	BLACK	9355012461
U4	BLUE	9355012464
U4	RED	9355012466
U4	ORANGE	9355012468
U4	VENOM	9355012475
U4	WHITE	9355012483



Defender HD Front Bumper



POLARIS RZR[®] S 900

DEFENDER | REAR BUMPER

FITS: 2014-2016

BLACK	9355412961	
BLUE	9355412964	
RED	9355412966	
ORANGE	9355412968	
VENOM	9355412975	
WHITE	9355412983	

POLARIS RZR[®] S 1000

DEFENDER | REAR BUMPER

FITS: 2016

BLACK	9355412961	
BLUE	9355412964	
RED	9355412966	
ORANGE	9355412968	
VENOM	9355412975	
WHITE	9355412983	



POLARIS RZR® XP 1000

DEFENDER | FRONT BUMPER

FITS: 2014-2016

HD	BLACK	9355012661	U4	BLACK	9355012461
HD	BLUE	9355012664	U4	BLUE	9355012464
HD	RED	9355012666	U4	RED	9355012466
HD	ORANGE	9355012668	U4	ORANGE	9355012468
HD	VENOM	9355012675	U4	VENOM	9355012475
HD	WHITE	9355012683	U4	WHITE	9355012483

POLARIS RZR® XP 1000

DEFENDER | REAR BUMPER

FITS: 2014-2016

Black	9355512961
Blue	9355512964
Orange	9355512968
Red	9355512966
Venom Green	9355512975
White	9355512983

SUZUKI LT-R 450

DEFENDER | FRONT BUMPER

FITS: 2006-2009



MX	9362512461
XC	9362512661

SUZUKI LT-R 450

HEEL GUARDS | SET

FITS: 2006-2009



HEEL GUARDS	9362512361
FOOT PEGS ONLY	9362587961

YAMAHA RAPTOR 125/250

DEFENDER | FRONT BUMPER

FITS: 2011-2014



RAPTOR 125	MX	9416712461
RAPTOR 125	XC	9416712661
RAPTOR 250	MX	9413312461
RAPTOR 250	XC	9413312661



YAMAHA RAPTOR 125/250

NERF GUARD | COMBO SET

FITS: 2011-2014

RAPTOR 125	NERF & HEEL	9416712161
RAPTOR 125	NERF BARS	9416712261
RAPTOR 125	HEEL GUARDS	9416712361
RAPTOR 250	NERF & HEEL	9413312161
RAPTOR 250	NERF BARS	9413312261
RAPTOR 250	HEEL GUARDS	9413312361



YAMAHA RAPTOR 700

DEFENDER | FRONT BUMPER

FITS: 2015-2016

MX	9417286961
XC	9417216961



DEFENDER | REAR BUMPER

RAPTOR 125	9416712561
RAPTOR 250	9413312561



LIGHT BLOCKS | HEADLIGHT

RAPTOR 125	9416764161
RAPTOR 250	9413364161

YAMAHA YFZ 450

DEFENDER | FRONT BUMPER

FITS: 2004-2014



MX

XC

MX	9414012461
XC	9414012661

YAMAHA YFZ 450

NERF GUARD | COMBO SET

FITS: 2004-2014



NERF & HEEL COMBO	9414012161
HEEL GUARDS ONLY	9414012361
FOOT PEGS ONLY	9414087961

YAMAHA YFZ 450

DEFENDER | REAR BUMPER

FITS: 2004-2014



9414012561	
------------	--

YAMAHA YFZ 450R/X

DEFENDER | FRONT BUMPER

FITS: 2009-2014



MX	9414112461	
XC	9414112661	

YAMAHA YFZ 450R/X

NERF GUARD | COMBO SET

FITS: 2009-2014



NERF & HEEL COMBO	9414112161	
HEEL GUARDS ONLY	9414112361	
FOOT PEGS ONLY	9414187961	

YAMAHA YFZ 450R/X

DEFENDER | REAR BUMPER

FITS: 2009-2014



9414112561	
------------	--

YAMAHA YFZ 450R/X

LIGHT BLOCKS

FITS: 2009-2014



LIGHT BLOCK | HEADLIGHT

YFZ 450R	9414164161	
YFZ 450	9414064161	



LIGHT BLOCK | TAILLIGHT

9414164261	
------------	--

CARBON.CANISTERS

If any HMF Engineering Inc. Carbon Fiber canister starts to discolor or blemish in any way, arrangements must be made immediately to return the canister for inspection. Do not wait to cause further damage to the canister and void the warranty. This policy will be STRICTLY enforced due to the cost of the carbon fiber can. Damage to the carbon fiber canister may occur from rear or side impact to the muffler. HMF Engineering Inc. is not responsible for damage caused by impact or improper installation. If the canister is damaged it can be replaced for a fee. Proper care of your canister should ensure an extra long life from your carbon fiber canister.

* Cleaning Fee will be charged for any exhaust shipped dirty, filled with mud, etc.





DISCLAIMER

HMF exhausts, EFI controller, air filter, and jet kits are intended for use in closed-course competition only. HMF exhausts, EFI controller, air filter, jet kits are not intended for use in California and do not meet California, Federal, EPA, CARB on/off-road noise or emission standards. Modifications which exceed California, Federal, EPA, CARB noise or emission standards on non "closed-course competition and off-road racing use only" vehicles is prohibited by Federal Law.

FOOTNOTE

2006 and newer Motorcycles with head/tail lights OEM from the manufacturer and every all terrain vehicle, even those intended for off-road closed-course competition use, are considered California, Federal, EPA, CARB noise or emission-controlled vehicles.

Vehicle emission control information is noted in the owner's manual and on the machine air box lid and exhaust muffler.

Any modifications which exceed the CALIFORNIA FEDERAL EPA CARB noise or emission standard is prohibited by FEDERAL LAW.

EXHAUST.MAINTENANCE

Cleaning

The canister of your new HMF Exhaust can be cleaned with a mild soap and water. Cleaning it every time after you ride will help maintain the luster of your

exhaust. Restoring your inlet and head pipe can be done with a Scotch Brite pad. Use a light rubbing compound on the shell to restore shine.

Repacking (ATV/MX)

Riding style and the frequency you ride greatly effects the life of the packing.

Severe Riding (Weekly racers, Daily riders):

Check your packing after 15 hrs. of riding.

Moderate Riding (2-3 days/week riding):

Check your packing after 25 hrs. of riding.

Light riding (Average weekend rider):

Check your packing after 35 hrs. of riding.

You can check your packing by knocking along the side of your exhaust canister and listening for hollow spots. Change in sound and discoloration of the exhaust shell means it's time to repack.