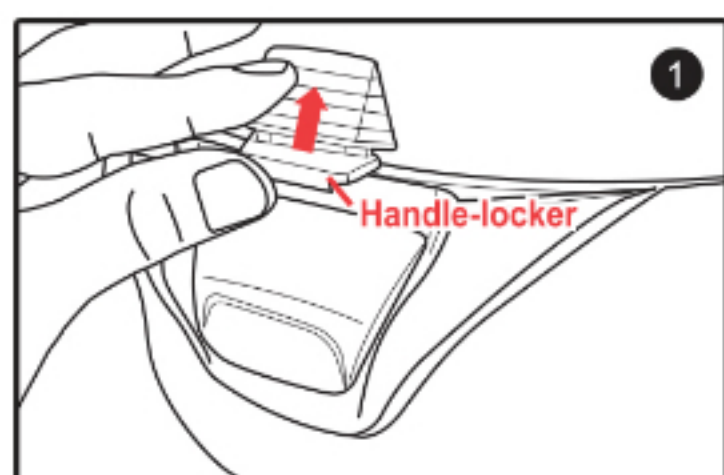


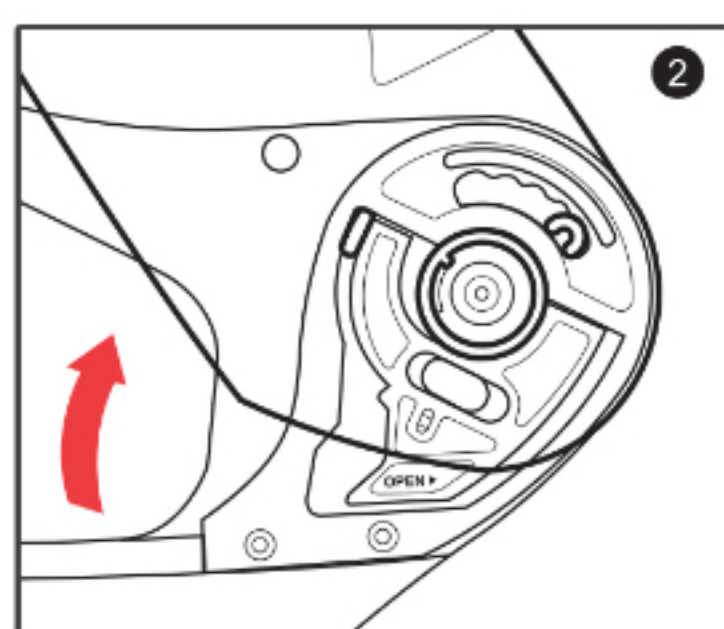
HJ-25 SHIELD REMOVAL AND INSTALLATION

Helmet Model: RPHA MAX

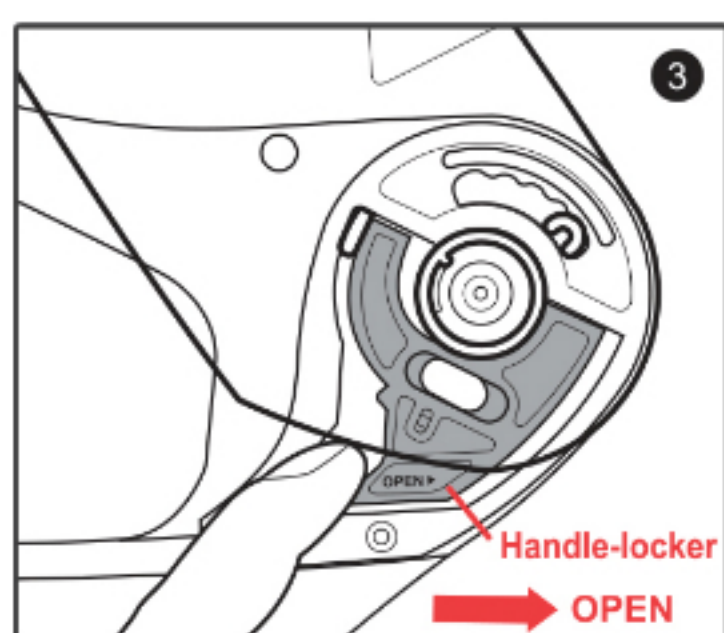
Removal



1. Lift up the handle-locker

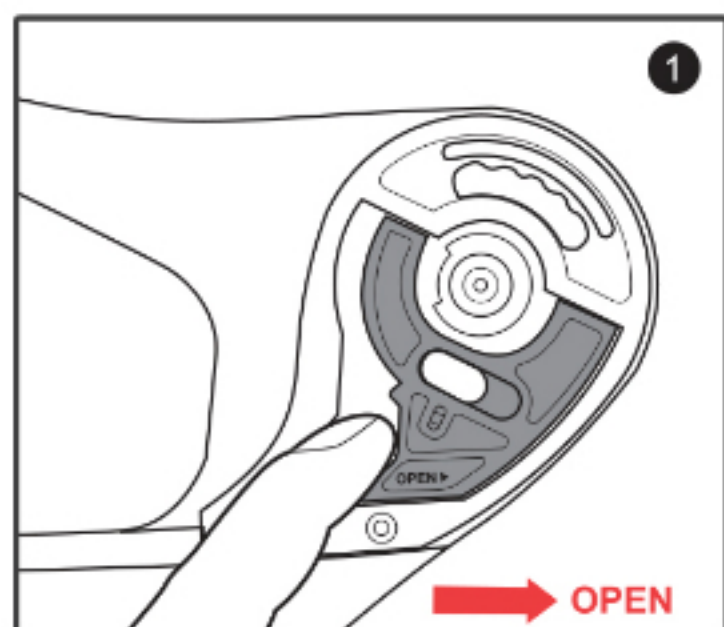


2. Open shield to the maximum open position.

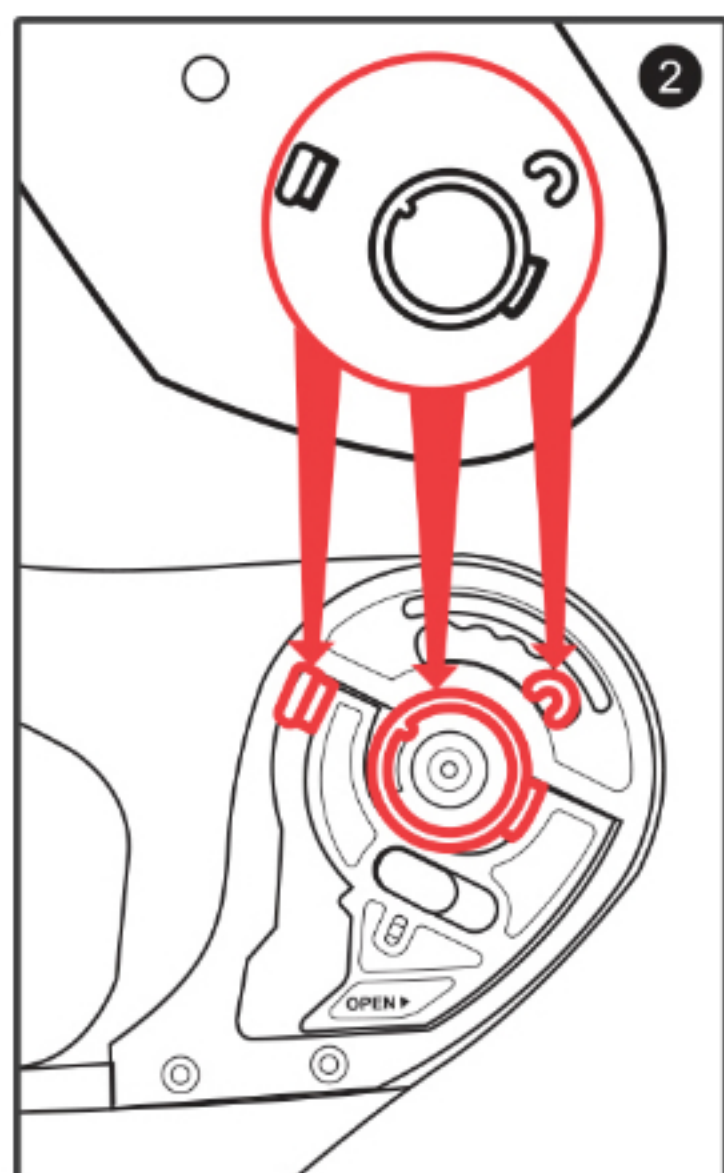


3. Push the handle-locker to the open position. The shield will be automatically released out of base ratchet mechanism.

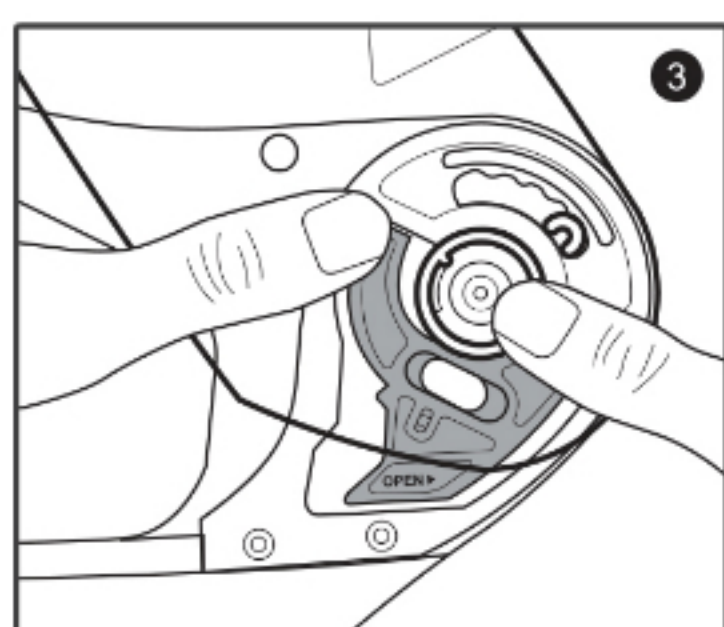
Installation



1. Ensure that the handle-locker is in the open position.



2. Align and insert the top of the shield guide into the plate-gear guide.



3. With the guides properly aligned, press the lower section of the shield into the plate-gear mechanism. The locking tab should pop into position, locking the shield into place.