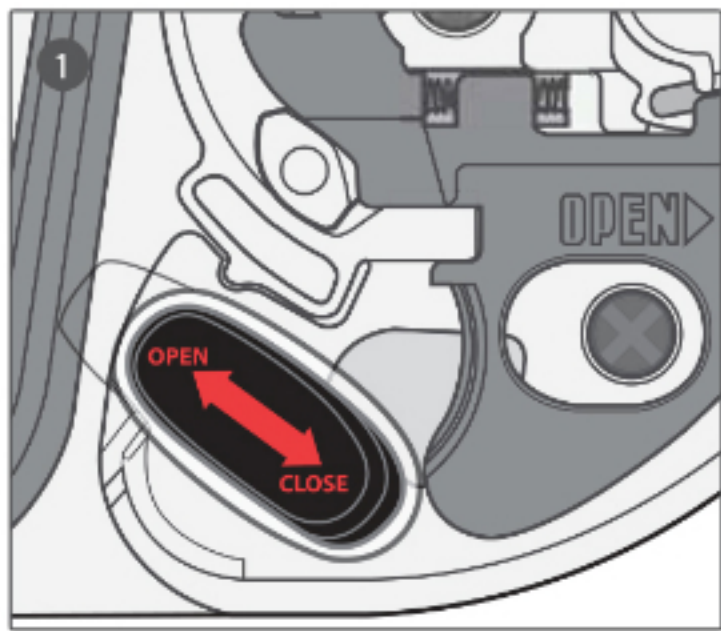


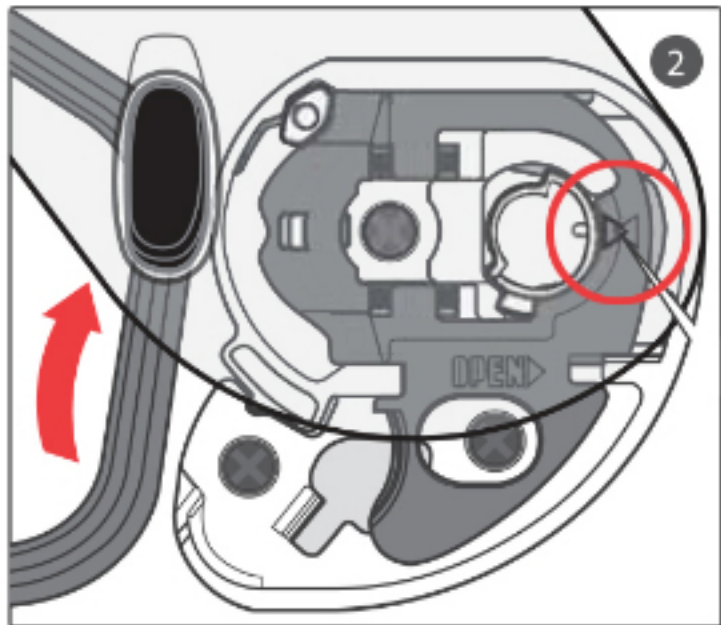
HJ-09 SHIELD REMOVAL AND INSTALLATION

Helmet Model: AC-12, CL-15, CL-16, CL-SP, CS-R2, CS-R3, FS-10, FS-15, S-16, CL-17, CL-17 PLUS

Removal

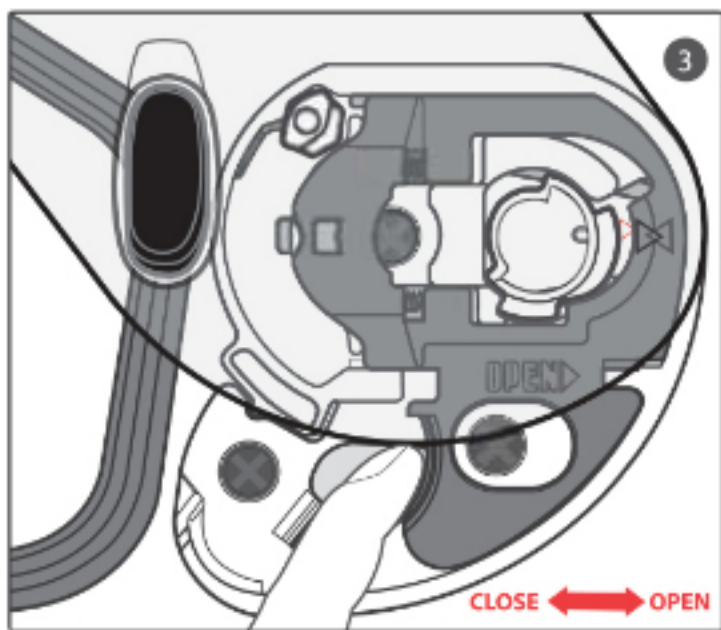


1. Move the shield retention button to the open position.

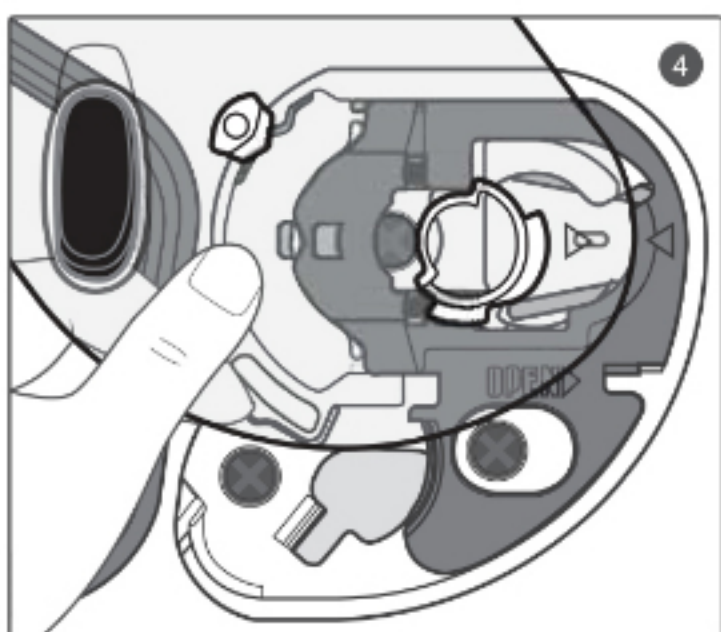


2. Open shield to the maximum open position.

When the shield is opened to its maximum open position, the arrow on the shield should line up with the arrow on the handle-locker.

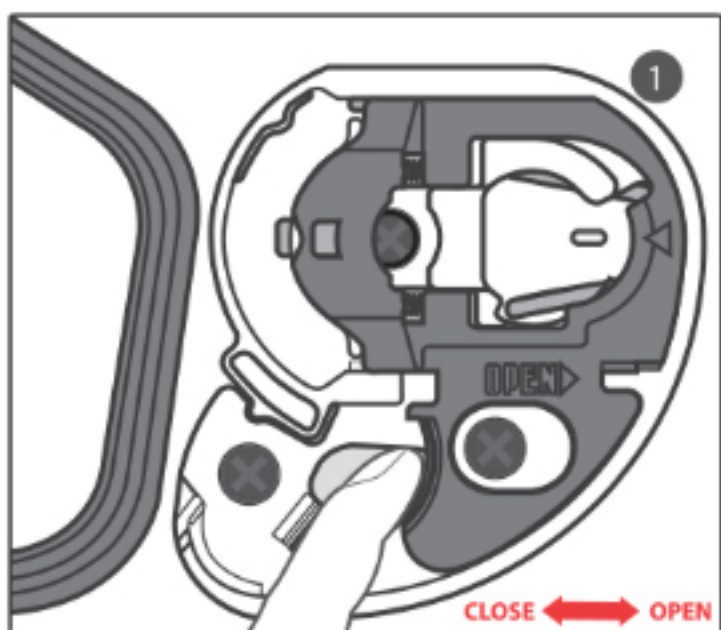


3. Move the handle-locker to the open position.

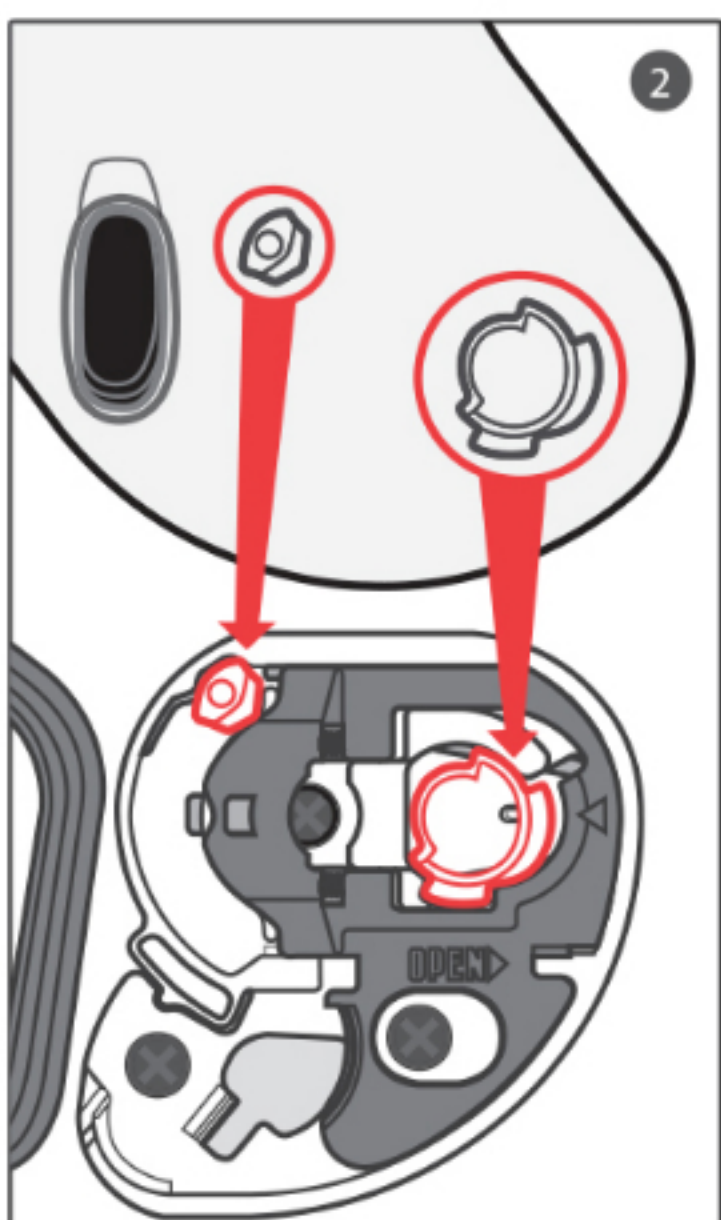


4. The shield will be automatically released out of base ratchet mechanism.

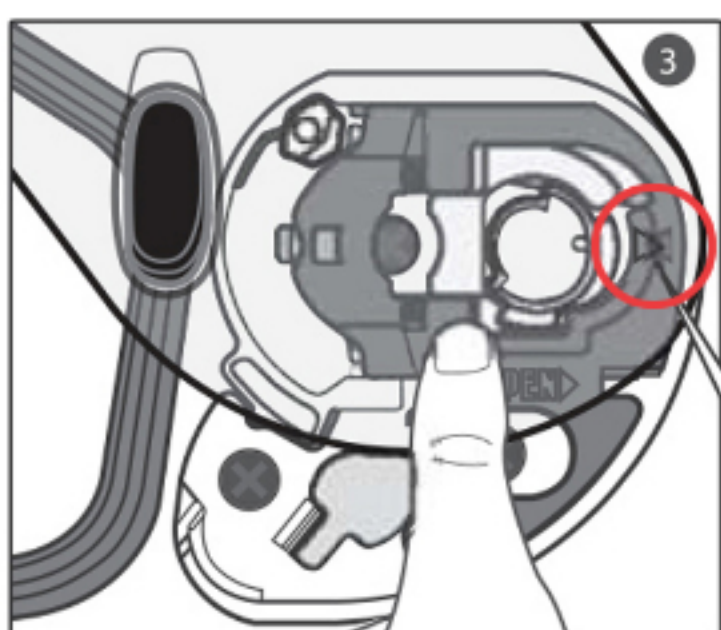
Installation



1. Ensure that the handle-locker is in the open position.



2. Align and insert the top of the shield guide into the plate-gear guide.



3. With the guides properly aligned, press the lower section of the shield into the plate-gear mechanism. The locking tab should pop into position, locking the shield into place.