



HJC VINA LIMITED COMPANY

Made In Vietnam

Rev. 00



CS-2N

MANUAL

WARNING

For your safety, it is important that you completely read the owner's manual and all warning labels.

Important Safety Information 3
Selecting the Right Helmet 3-4
Specifications 4
Using Your Helmet Correctly 5-6
 Inspect Your Helmet 5
 Fasten the Retention System 5-6
Maintaining Your Helmet Correctly 6-7
 Shell Cleaning 6
 Interior Cleaning 6
 Vent Cleaning 6
 Ear Flap Removal and Installation 7
 Visor Removal 7
 Visor Installation 7
 Replacement Parts 7
 Helmet Modifications 7
Storing Your Helmet Correctly 8
Helmet Replacement 8
Warranty 8

⚠ Important Safety Information

⚠ WARNING

The instructions in this manual are designed to help you select the right helmet, wear it properly, take care of it, and know when to replace it. Failure to follow these instructions may increase your risk of serious injury or death in an accident.

In order to get the most protection possible from your helmet, you should always do the following:

- Wear your helmet when you ride;
- Handle your helmet carefully to avoid accidental damage; and
- Ride safely – do not take risks because you are wearing a helmet.

Although your HJC helmet is designed to reduce or prevent some injuries when worn, no helmet can protect you from all possible or foreseeable impacts. For example, your helmet cannot protect you from spinal or neck injuries. In addition, there is no guarantee that your helmet will prevent injuries to the area of your head that is covered.

⚠ Selecting the Right Helmet

⚠ WARNING This helmet does not provide as much coverage or protection as a full face helmet. You can get more protection by purchasing a helmet with greater head coverage.

⚠ WARNING Never buy a used helmet or borrow someone else's helmet. Over time the protective foam in helmets will adjust to the contours of a user's head. A used or borrowed helmet may not offer as much protection as a new helmet.

⚠ WARNING Wearing the wrong size helmet can increase your risk of serious injury or death in an accident. A helmet that is too large for your head may be dislodged or knocked off in an accident. To select the right size helmet for your head, follow these instructions:

1. **Measure your head.** Wrap a tape measure around your head about one inch (2,5 cm) above your eyebrows.
2. **Use the sizing chart** to select the helmet size that corresponds most closely to your head measurement. If your head size falls between two helmet sizes, try on the larger helmet first and then the smaller size.

Sizing Chart

	XS	S	M	L	XL	XXL
Hat Size	6 5/8 - 6 3/4	6 7/8 - 7	7 1/8 - 7 1/4	7 3/8 - 7 1/2	7 5/8 - 7 3/4	7 7/8 - 8
Centimeter	53-54	55-56	57-58	59-60	61-62	63-64
Inch	20 7/8 - 21 1/4	21 5/8 - 22	22 1/2 - 22 7/8	23 1/4 - 23 5/8	24 - 24 3/8	24 3/4 - 25 1/4

3. **Try on the helmet** by grasping both chin straps to pull the helmet completely onto your head, ensuring that the top of your head is in contact with the top of the helmet interior.

4. **Check for a proper fit.** To make sure your helmet is the right size, check that:

- The helmet inner lining fits snugly around your head.
- The top pad presses firmly on your head.
- The cheek pads contact your cheeks.
- There is no space around your brow under the inner lining. Test this by trying to insert your fingers.

If the helmet does not fit snugly, try on a smaller size.

5. **Check your field of vision when trying on a helmet.** Some helmets may obstruct or block your vision when looking left, right, up, or down.

⚠ WARNING Always make sure you can see well enough to safely operate your motorcycle.

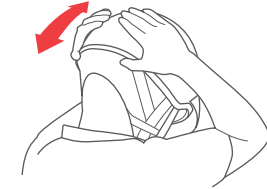
6. **Test the helmet fit** by placing your hands on each side of the helmet. While holding your head as motionless as possible, try rotating your helmet from left to right then up and down. If you can feel the helmet padding sliding on your head, it is too big, try a size smaller. You should feel the helmet move the skin on your head and face as you try to move the helmet.



7. **Fasten the retention system (chin strap)** as tight as possible under your jaw without causing pain. There must be no slack in the strap, and the strap must be tight up against your jaw. See page 5-6.

8. **Test the retention system (chin strap)**

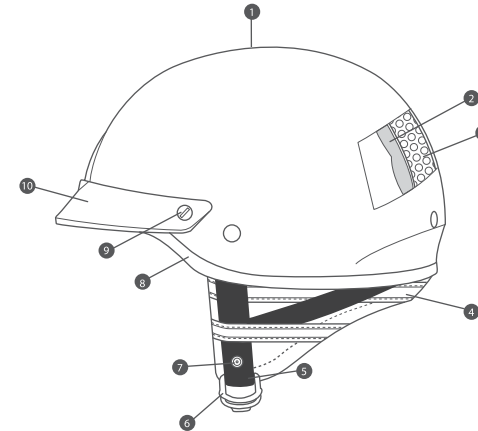
- Put your hands on the back of the helmet and try to push the helmet off by rotating it forward.
- Put your hands on the front of the helmet above your forehead (or on the chin guard) and try to push the helmet off by rotating backward.



⚠ WARNING If helmet comes off, try another size or another model or brand.

Repeat steps 3 through 8 until you find a helmet that fits your head snugly and securely.

⚠ Specifications



- | | | | |
|--------------------------|-------------------|---------------------|---------|
| ① Outer Shell | ④ Ear Flap | ⑦ Chin Strap Snap | ⑩ Visor |
| ② Comfort Liner | ⑤ Chin Strap | ⑧ Rubber Edge Trim | |
| ③ Impact Absorbent Liner | ⑥ Double "D" Ring | ⑨ Visor Side Screws | |

Using Your Helmet Correctly

WARNING To reduce the risk of serious injury or death and to help prevent damage to your helmet:

- **Never adjust your helmet accessories while riding** – Only make helmet adjustments when stopped.
 - **Never drop your helmet** – Dropping your helmet may crack the shell or damage the protective foam. The damage may not be visible. Your helmet is only designed for ONE impact. Refer to "Helmet Replacement" (p. 8) for more information on what to do after helmet has been dropped.
 - **Never wear anything between your head and your helmet** – This may reduce the effectiveness of your helmet.
 - **Never hang or hook your helmet on anything including mirror stalks or sissy bars** – Doing so may cause damage to the helmet protective foam or liner.
 - **Never use insect repellent on or around your helmet** – Insect repellent may damage your helmet's visor, shell, protective foam, or other components.
 - **Never expose helmet to gasoline or gasoline fumes** – Gasoline may damage your helmet's visor, shell, protective foam, or other components.
- If you have any questions on what other substances may damage your helmet, please contact us.
- **Always wear eye protection** – Always wear eye protection when riding.
 - **Always be alert for sounds** – Your helmet may impair your hearing. However, your helmet is not a form of hearing protection.
 - **Always store your helmet in its helmet bag** when not in use to help reduce accidental surface damage.

WARNING To reduce the risk of serious injury or death, always use your helmet correctly.

Inspect your helmet

To ensure that your helmet is in the best condition to maximize your protection, always inspect your helmet for damage before riding:

- **Check for helmet damage.** If your helmet is damaged or cracked, stop using it immediately. See "Helmet Replacement" (p. 8) section for further information. If your helmet has been dropped, you may not be able to see the damage.
- **Check for worn or damaged parts.** Plastic components may wear out over time. If you find worn or damaged parts, replace them or purchase a new helmet. See "Replacement Parts" (p. 7) for information on parts replacement.

WARNING If parts fall off while riding, your vision may be blocked which could cause an accident.

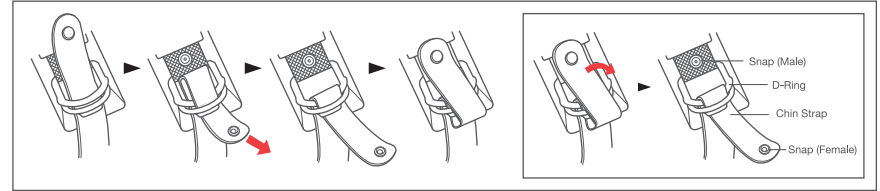
- **Check the retention system (chin strap) for damage.** If it is frayed or ripped, replace the helmet.

Fasten the Retention System

Fasten the retention system (chin strap) as tight as possible under your jaw without causing pain. There must be no slack in the strap, and the strap must be snug up against your jaw. If the retention system is not tight, your helmet may become dislodged or knocked off in an accident.

WARNING Do not rely on the snap to secure the helmet. The snap is provided only to prevent the strap from flapping in the air. Fasten the retention system only in the following manner:

Double "D" Ring



Maintaining Your Helmet Correctly

Shell Cleaning

WARNING Only use approved methods to clean the helmet. Using other unapproved chemicals or methods may damage the helmet shell or lining. A damaged helmet may increase your risk of serious injury or death in an accident.

Glossy Finish. HJC recommends cleaning your helmet with products designed for automotive cleaning and polishing. All HJC helmets are finished with an automotive type base coat/clear coat finish. Rubbing compounds can be used for deep cleaning to remove many scratches and scuffs. Follow the product's instructions diligently. Over polishing with rubbing compounds can cause light abrasions which may dull the finish of your helmet. Stickers and decals will leave adhesive residue when removed. To remove the adhesive residue, use alcohol swabs. Be certain to immediately wipe away the excess liquid and clean the area with soap and water once the adhesive residue is removed. Do not use excessive pressure while rubbing when attempting to remove the adhesive residue, instead use multiple light treatments.

Non-Glossy Finish. For our flat finish (non-glossy) helmets, we recommend using warm water and mild soap. Use multiple treatments for heavier dirt. Do not use excessive pressure or rubbing compounds while cleaning the surface as a "glossy" effect could be created, ruining the flat finish appearance.

Interior Cleaning

Although we recommend changing a helmet every 3 to 5 years, the accumulation of sweat, humidity, and dirt can deteriorate the fabric and stitching and this may cause odor. To wash HJC removable pads, HJC recommends regular machine washing and air drying. For non-removable interiors, HJC recommends using bacteria and mildew eliminating products such as "Helmet Fresh".

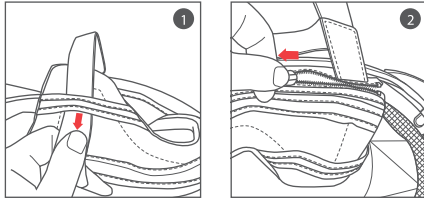
Vent Cleaning

Dirt and debris can find its way into the venting of your HJC helmet. Compressed air cans used for cleaning computer keyboards may be used to blow the debris from the ventilation system. It is recommended that you remove any removable pads before doing this process.

Ear Flap Removal and Installation

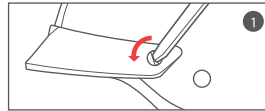
1. Pull the chin straps (both sides) free from the ear flap.
2. While holding the velcro parts separate (one at a time), simply unzip the ear curtain and pull it away from the helmet.

Do reverse for reinstallation.



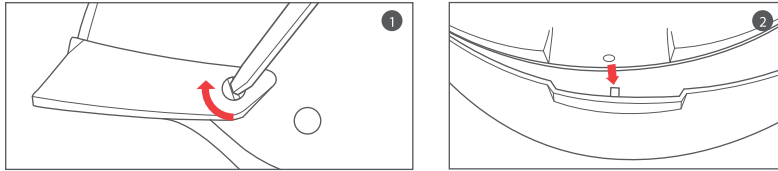
Visor Removal

1. Unscrew the visor side screw.
2. Repeat on other side and the visor will be released automatically.



Visor Installation

1. Install the visor side screw at one side.
2. Insert the visor center post into the center hole.
3. Install the visor side screw at the other side.



Replacement Parts

WARNING Use of replacement parts not manufactured by HJC may increase your risk of serious injury or death in an accident. Only use HJC parts that are specifically designed to work with this helmet.

Do Not Modify Your Helmet

WARNING Your HJC helmet is designed to meet DOT standard. Contact HJC America for more information about DOT standard. Modifying your helmet may increase your risk of serious injury or death in an accident. Do not modify your HJC helmet. Modifications include the following:

- drilling holes;
- cutting shell, liner, or strap;
- modifying the retention system, including adding a chin cup;
- removing parts;
- painting; and
- attaching accessories that are not manufactured by HJC for this helmet.

If you have questions about modifications, please contact HJC America, Inc. See back cover for contact information.

Shop for quality HJC Helmets products on our website.

Storing Your Helmet Correctly

WARNING An improperly stored helmet can become damaged and may increase your risk of serious injury or death in an accident. You should:

- Store helmet in a cool and dry place,
- Keep helmet away from pets and other animals,
- Keep helmet away from heat in excess of 122°F and do not set on or near hot surfaces.

Helmet Replacement

WARNING Although your HJC Helmet is constructed with the best materials available to offer a long-lasting product, it will eventually need to be replaced. Immediately replace your helmet if:

- It has suffered an impact. Your helmet is only designed for ONE impact. An impact may fracture the outer shell or compress the impact absorbing liner. You may not be able to detect this damage. Any impact in a crash or a drop from as low as 4 feet is enough to damage your helmet.
- The shell, lining, or retention system is damaged. The helmet shell, the impact absorbing lining, and the retention system must be in good condition to provide you with the most protection.

Even if your helmet has not been damaged, it needs to be replaced every 3 to 5 years depending on how much you use it. Over time, UV rays and adhesive and component aging will damage your helmet. Wearing a damaged helmet may increase your risk of serious injury or death in an accident.

If you are unsure if you need to replace your helmet, contact HJC America before using your helmet again.

Helmet Disposal

WARNING If you buy a new helmet, destroy the old one to ensure it cannot be reused. Do not sell or give away your old helmet, even if it has not been damaged. Over time the protective foam in the helmet will adjust to the contours of your head. If someone else uses this helmet it will not provide them with as much protection.

Learn more about motorcycle helmets we have.