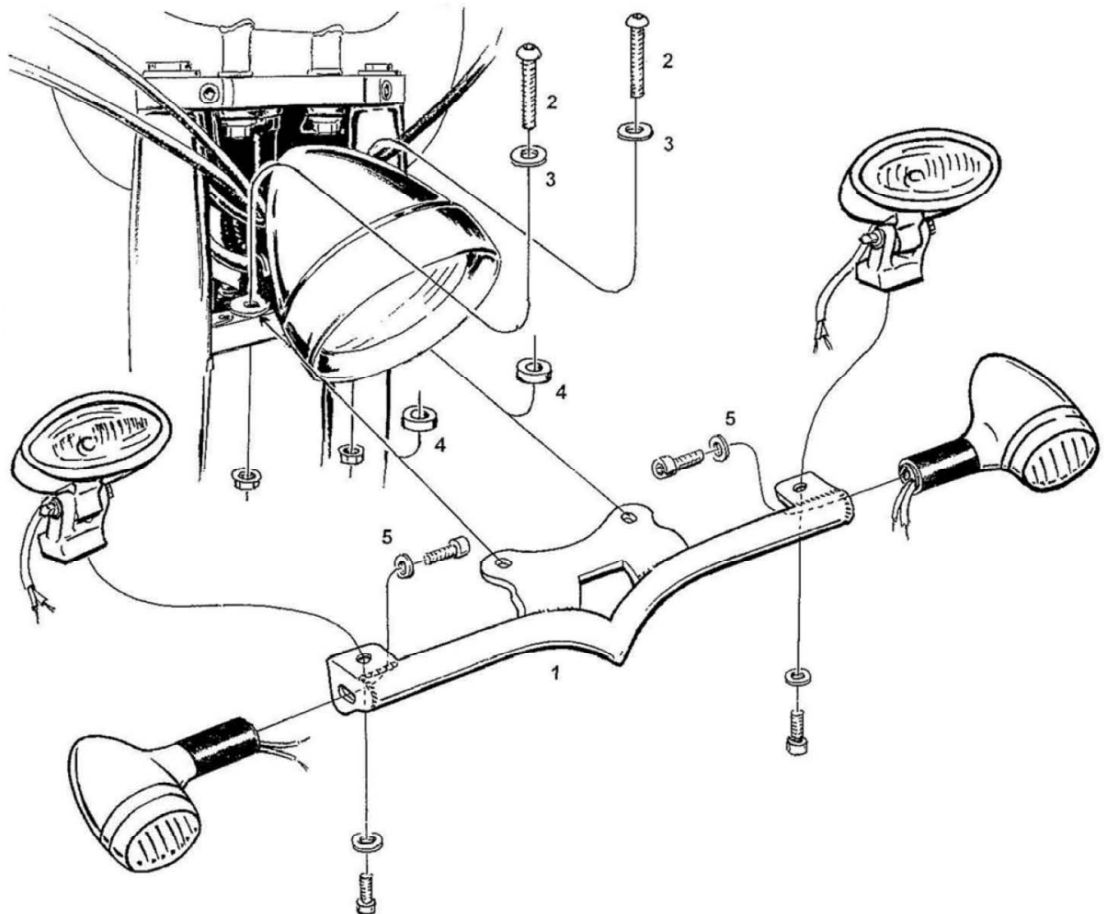
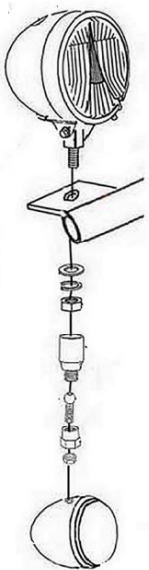


Components

1	Spotlight bracket	1x
2	Bolt M8 x 55mm	2x
3	Washer M8	2x
4	Spacer Ø20 x 5mm	2x
5	Washer M6	2x



Optional:
 68-1011 / 1021
 Turnsignal-Kit
 Turnsignal: 68-7011



Please check all fixings and mounting points before assembly as listed on the mounting instruction sheet.

This accessory should be mounted by a professional mechanic only. Motolux International B.V. / Highway Hawk can not be held responsible for improper installation.

© MotoLux Specialties B.V.
 Bameveld - The Netherlands