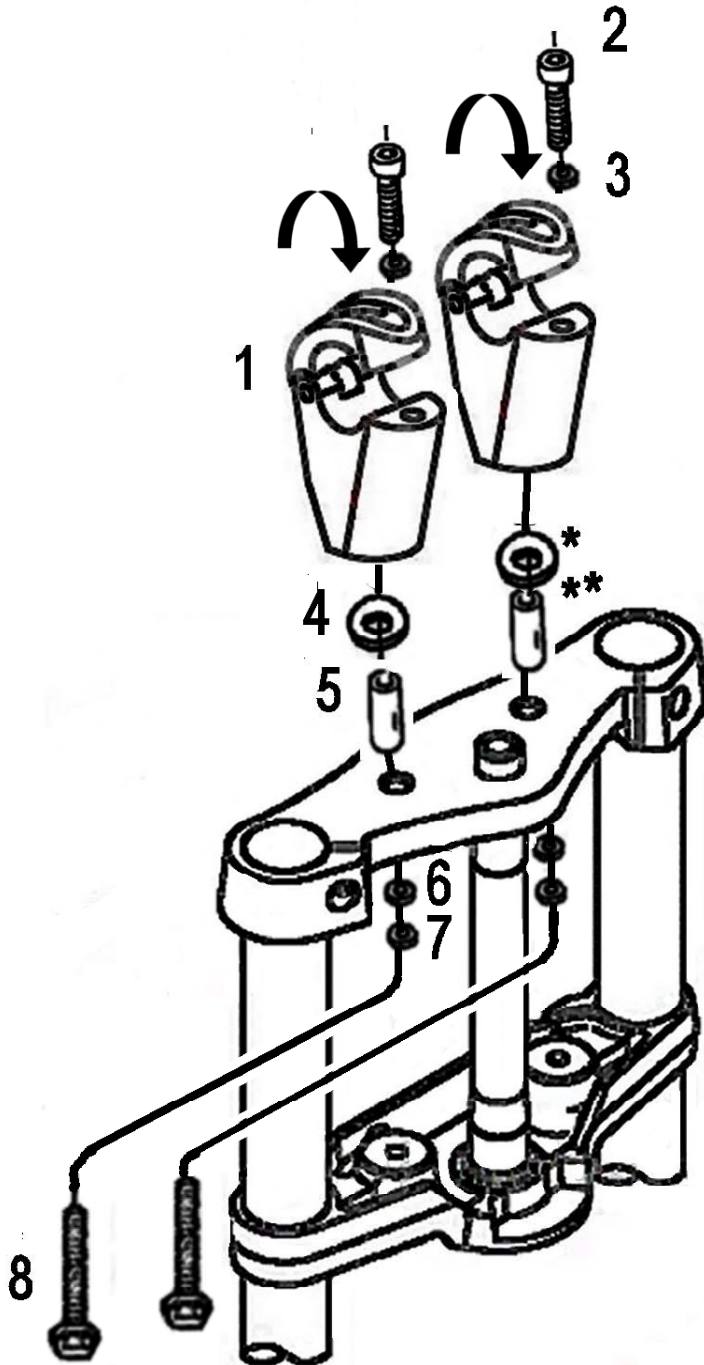


Use for Yoke with 100mm distance M10 M12 and M14

Components		
1	Riser "Spartican"	2x
2	Botl M8 x 30	2x
3	Springwasher M8	2x
4	* Spacer Ø32 x 2mm	2x
5	** Bush Ø14 x 50mm	2x
5	** Bush Ø12 x 50mm	2x
6	Washer M10	2x
7	Washer M10	2x
8	Bolt M10 (1.25) x 75	2x
* Required for models with damper kit		
** Required for Ø14 or Ø12 MM Yoke		



This accessory should be mounted by a professional mechanic only.  
 MotoLux International B.V. / Highway Hawk can not be held responsible for improper installation.

© Moto-Lux Specialties B.V.  
 Barneveld - The Netherlands