

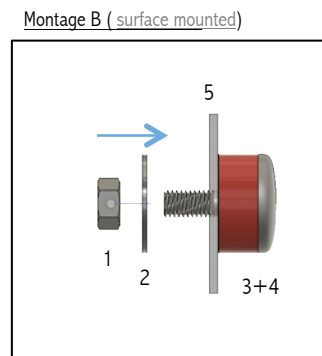
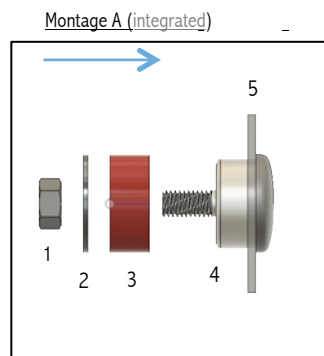
Thank you for buying a HIGHSIDER product. Because of our passion for motorcycles all our products are designed to meet your needs as a motorcyclist. We wish you always a safe and pleasant ride with your new HIGHSIDER product from Paaschburg & Wunderlich GmbH.

Before installation please read this manual carefully.

The installation shall be conducted according to the ECE standard and by a qualified person. If the installation violates the ECE standard the liability for the product is lost. The emitting direction of the light shall be oriented parallel to the ground and the longitudinal axis of the vehicle. Do not install the module inclined. This light module is approved for use on motorcycles. The product complies with the current ECE standard. This means no registration or carriage of documentation is needed when installing it onto your motorcycle. **If uncertain about the installation please hire a qualified person. Never look into the light of the LED's!**

- 1) Disconnect the battery from the electric system and assure that your motorcycle stand solidly on ground. Before final installation a functional test is recommended.
- 2) The cable connection is explained beneath (aside the sketch) **Caution: Only connect to 12 V DC power supply. Disregarding this will terminate the guarantee.**
- 3) The diameter of the module body is 20mm. Choose between 2 installation options. Option A (picture Montage A) is the integrated variant and option B (picture Montage B) is the surface mounted variant. Always install the modules symmetrically on your bike!
- 4) All cables must be laid out carefully and in a professional manner. Prevent sharp bending of cables. Open cable ends must be insulated.
- 5) Always install pairs of indicators. Make sure no accessories like bags etc. affect the light distribution of the indicator.
- 6) Due to the reduced electrical resistance of the LED modules, vehicles equipped with CAN-bus system or in some cases ABS system, may need the installation of an additional resistor (in parallel) to work properly.
- 7) **Caution: After installation, the proper function of the ABS/CAN-bus must be checked!**
- 8) If the indicating frequency is too high, additional resistors installed in parallel to the indicator or the use of a load independent indicator relay will remedy the problem.
Caution: No change of the indicating frequency occurs in case of failure of one indicator. Due to this fact, a check of the indicating function needs to be performed before each ride!

- 1 M6 Nut
- 2 22mm Washer
- 3 22mm Ring
- 4 20mm Body
- 5 Installation wall



cable connection:

black – ground (-)
yellow – indicator light (+)
white – position light (+)