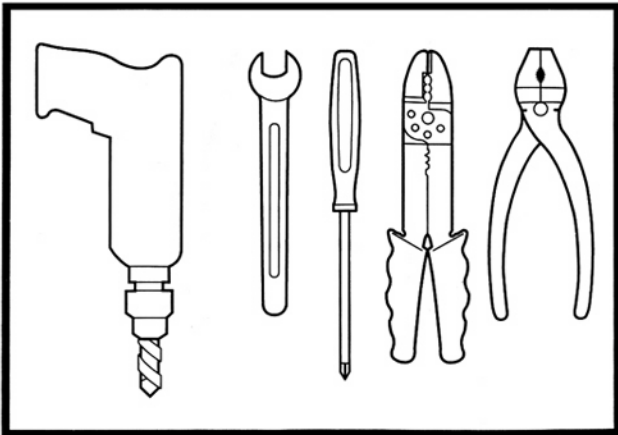




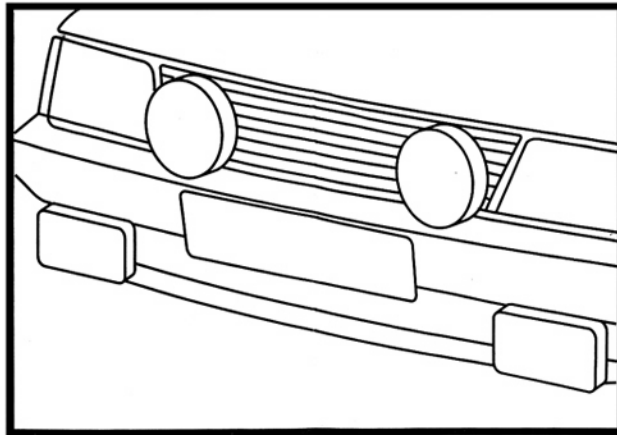
# Mounting Instructions for Auxiliary Lighting

Please follow instructions carefully; some of them are legal requirements:

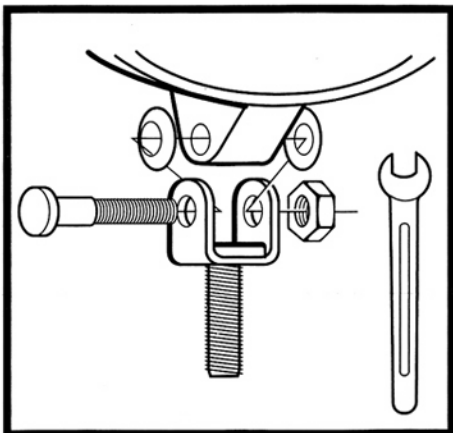
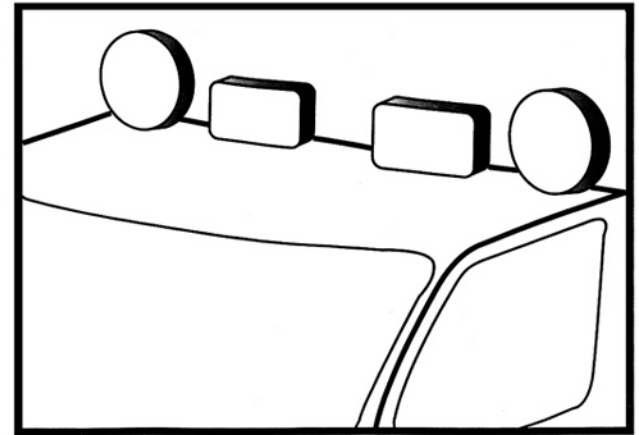
- 1 Consult your local state regulations regarding minimum and maximum height above ground.
  - 2 Mounting position: Lamps must be mounted in such a way that they are at exactly the same height. They are the same distance from the center of the vehicle. They do not vibrate after they are mounted on the vehicle.
- Important: Before fitting the lamps make sure that they do not prevent sufficient air reaching the radiator.



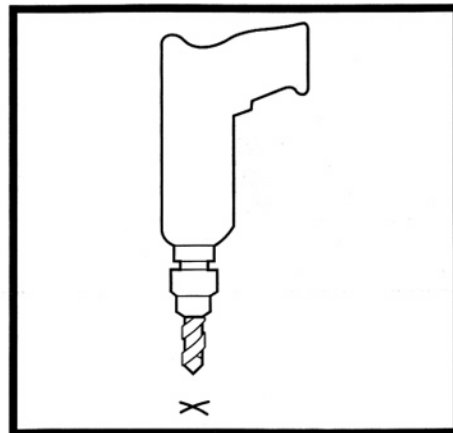
You need these tools



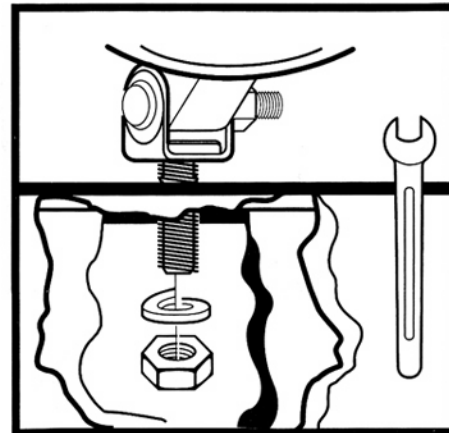
Find a suitable fitting point



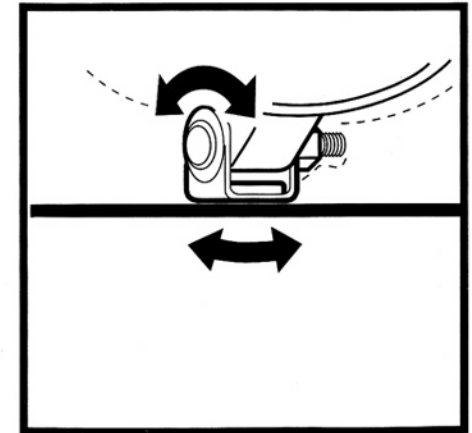
Attach the mounting base to the lamp



Drill a mounting hole if needed



Attach the lamp to vehicle



You can adjust the lamp at the base

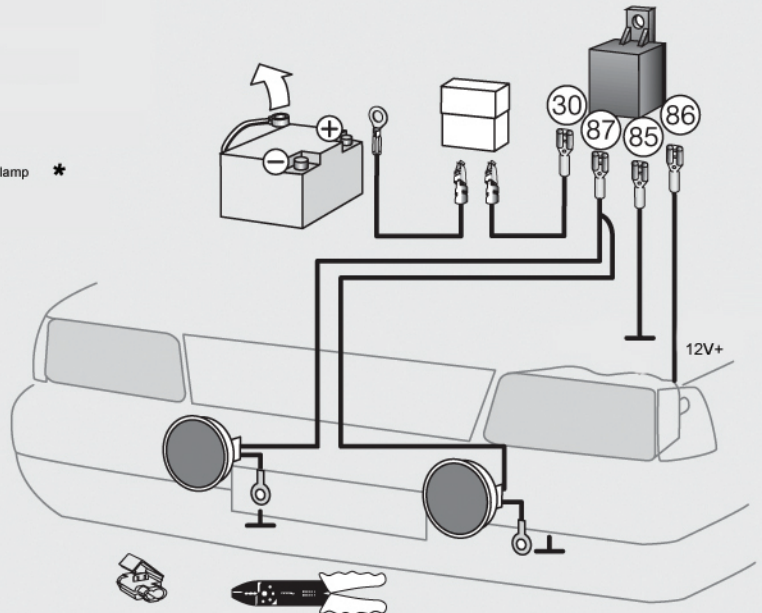


# Wiring Instructions for Auxiliary Lighting

- 1 Disconnect the battery
- 2 Run leads
- 3 Connect relay
- 4 Secure relay
- 5 Connect lamp
- 6 Connect to headlamp \*



\* NOTE: Driving lights connect to high beams, 12V+  
Fog lights connect to low beams, 12V+

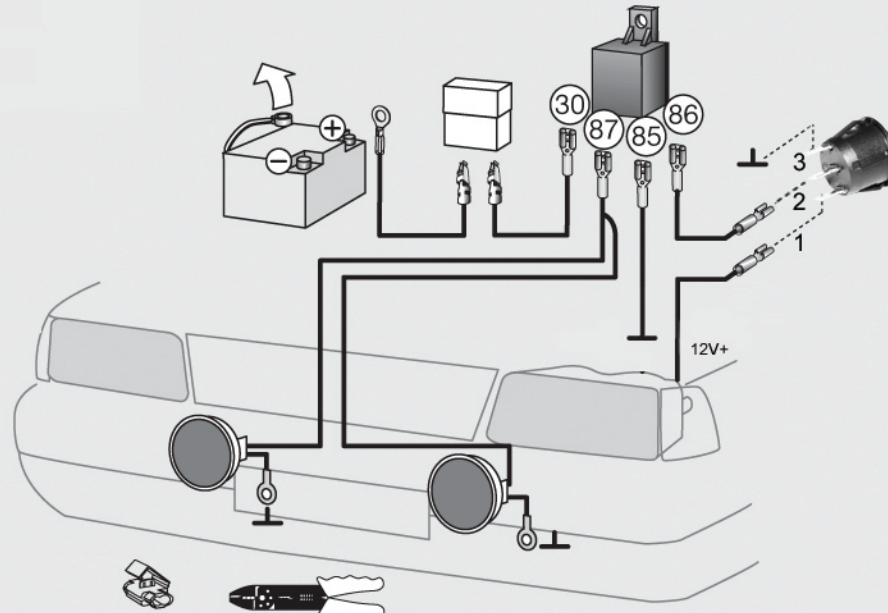


- 30 RED - 12V+ from Battery
- 85 BLUE - Ground
- 86 YELLOW - Trigger for Relay

- 1 Disconnect the battery
- 2 Run leads
- 3 Connect relay
- 4 Secure relay
- 5 Connect switch
- 6 Secure switch
- 7 Connect lamp
- 8 Connect to headlamp \*



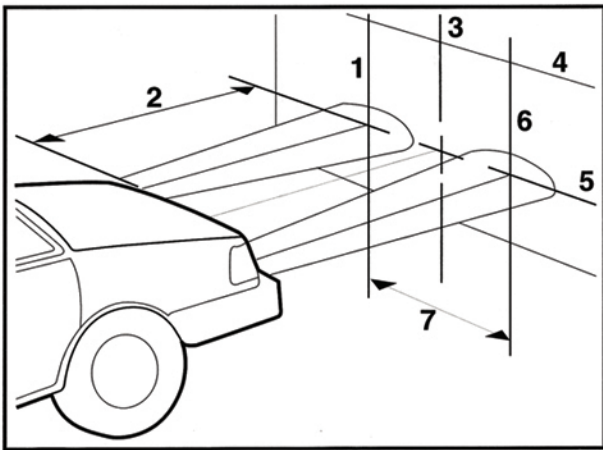
\* NOTE: Driving lights connect to high beams, 12V+  
Fog lights connect to low beams, 12V+



- 87 BLACK - Output to Lamps
- GREEN - Power for Switch 12V+

## Adjusting the lamps

The correct visual aim is with the top of the beam 4" below the lamp center at 25 ft.  
The lamp should be centered laterally on a vertical line directly ahead of the lamp.  
A higher visual aim may be desired, but the top of the beam should not be higher than the lamp center level at 25 ft.



- 1 Vertical centerline ahead of left headlamp
- 2 25 ft.
- 3 Center of vehicle
- 4 Flat vertical surface (wall, ect.)
- 5 Height of lamp centers (distance from ground to center of lamp)
- 6 Vertical centerline ahead of right headlamp
- 7 Distance between headlamps