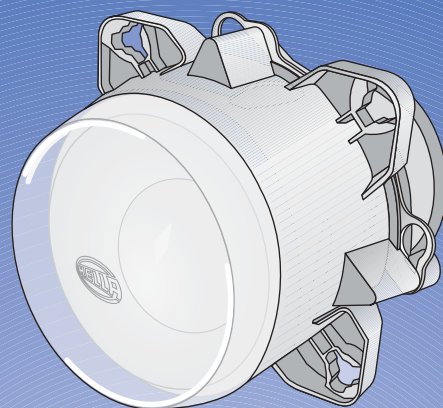


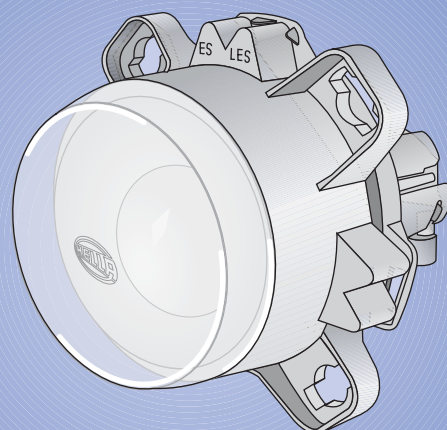
Information & Montageanleitung

Information & Mounting instructions

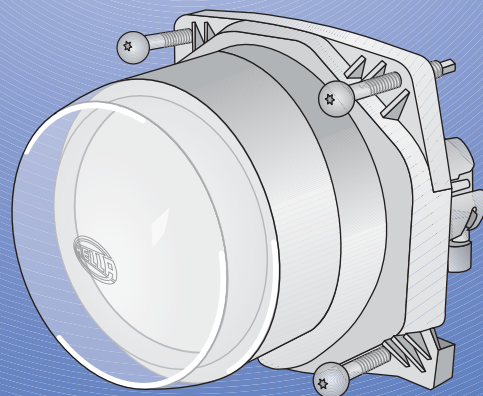
Classic



Performance



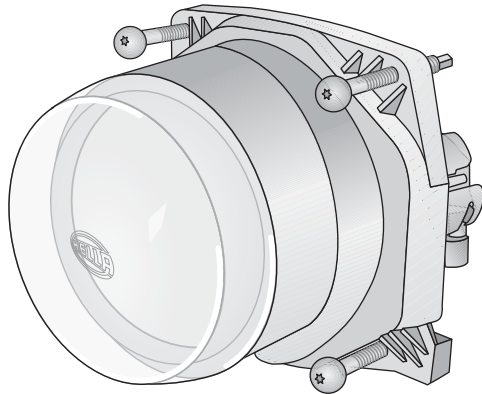
Premium



90 mm Module



Halogen H7



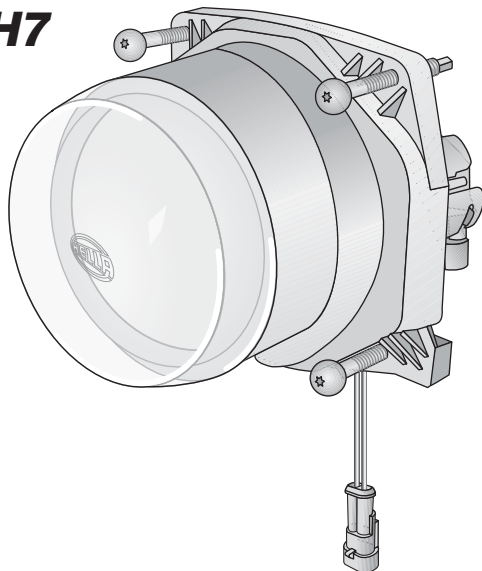
12V

- ES / ECE 1BL 009 999-...
- LES / ECE 1ML 009 999-...
- US / SAE 1BL 009 999-...

24V

- ES / ECE 1BL 009 999-...
- LES / ECE 1ML 009 999-...

Bi-Halogen H7



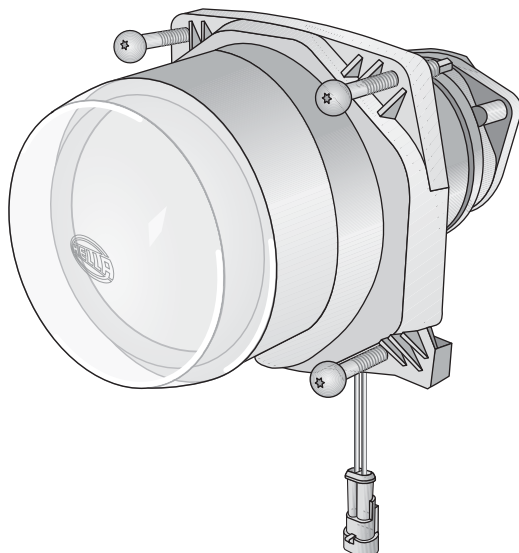
12V

- ES / ECE 1BL 009 998-...
- LES / ECE 1ML 009 998-...
- US / SAE 1BL 009 998-...

24V

- ES / ECE 1AL 009 998-...
- LES / ECE 1LL 009 998-...

Bi-Xenon®



12V

- ES / ECE 1AL 009 997-...
- LES / ECE 1LL 009 997-...
- US / SAE 1AL 009 997-...

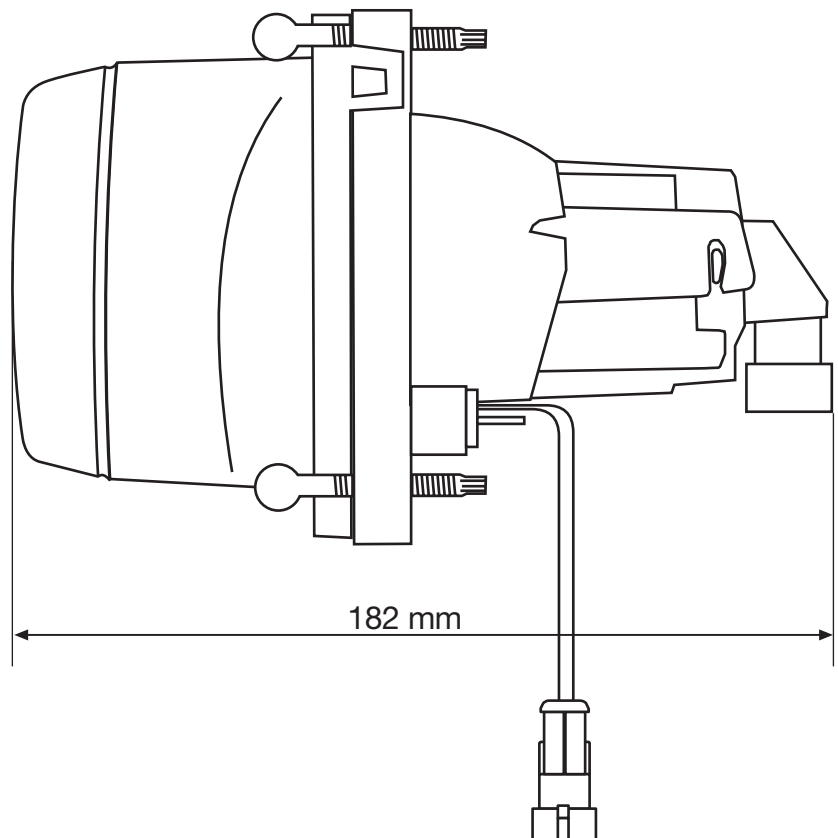
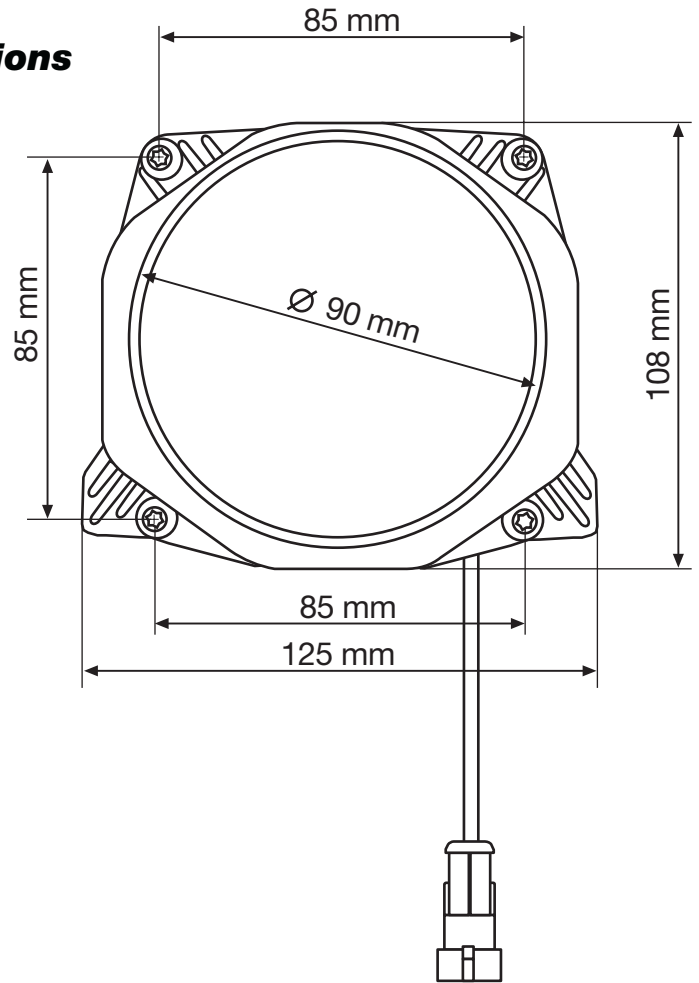
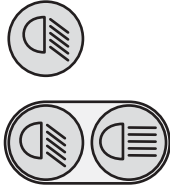
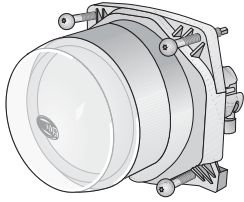
24V

- ES / ECE 1AL 009 997-...
- LES / ECE 1LL 009 997-...

90 mm Modul Premium

Einbaumaße Installation dimensions

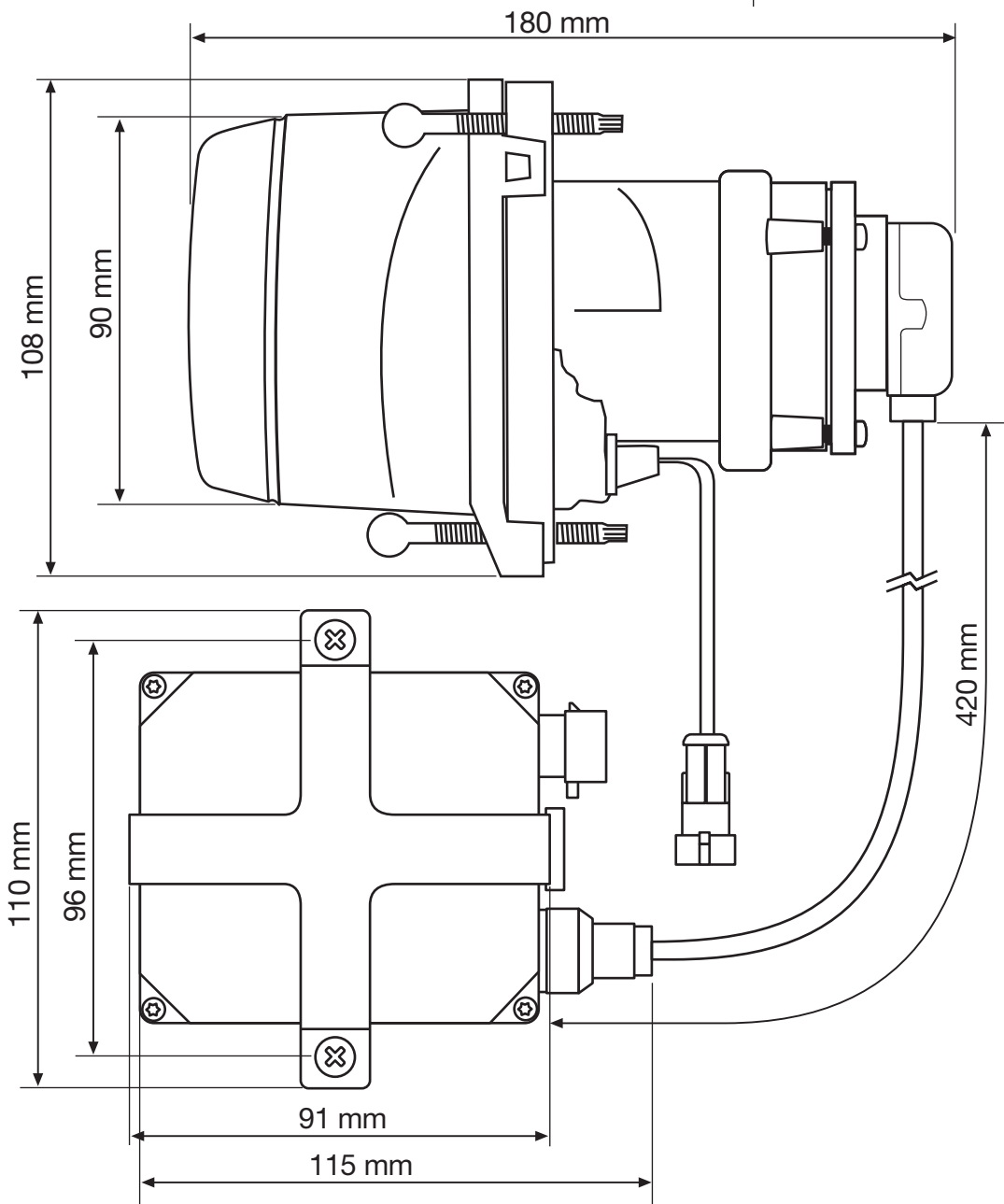
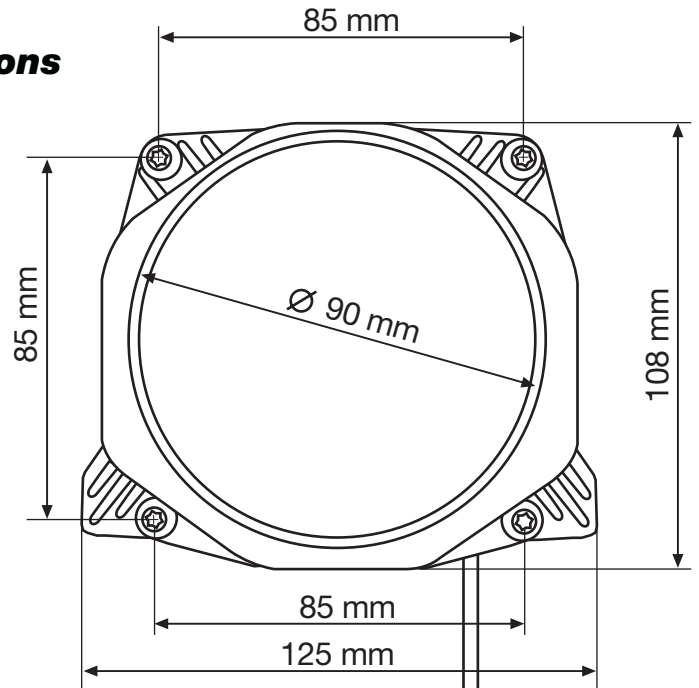
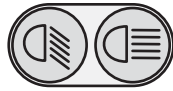
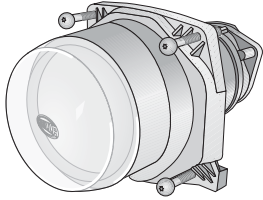
Halogen / Bi-Halogen



90 mm Modul Premium

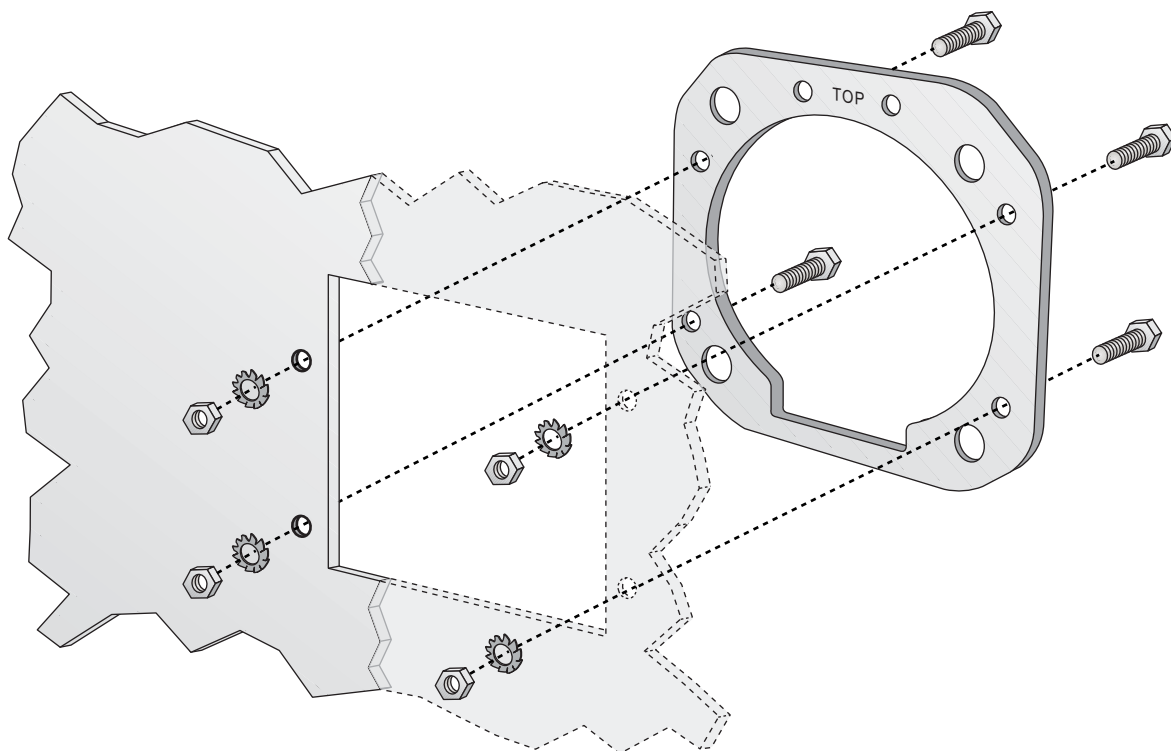
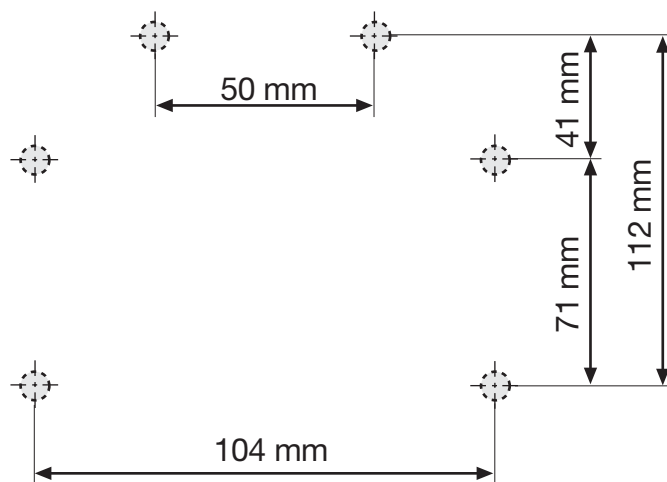
Einbaumaße Installation dimensions

Bi-Xenon®

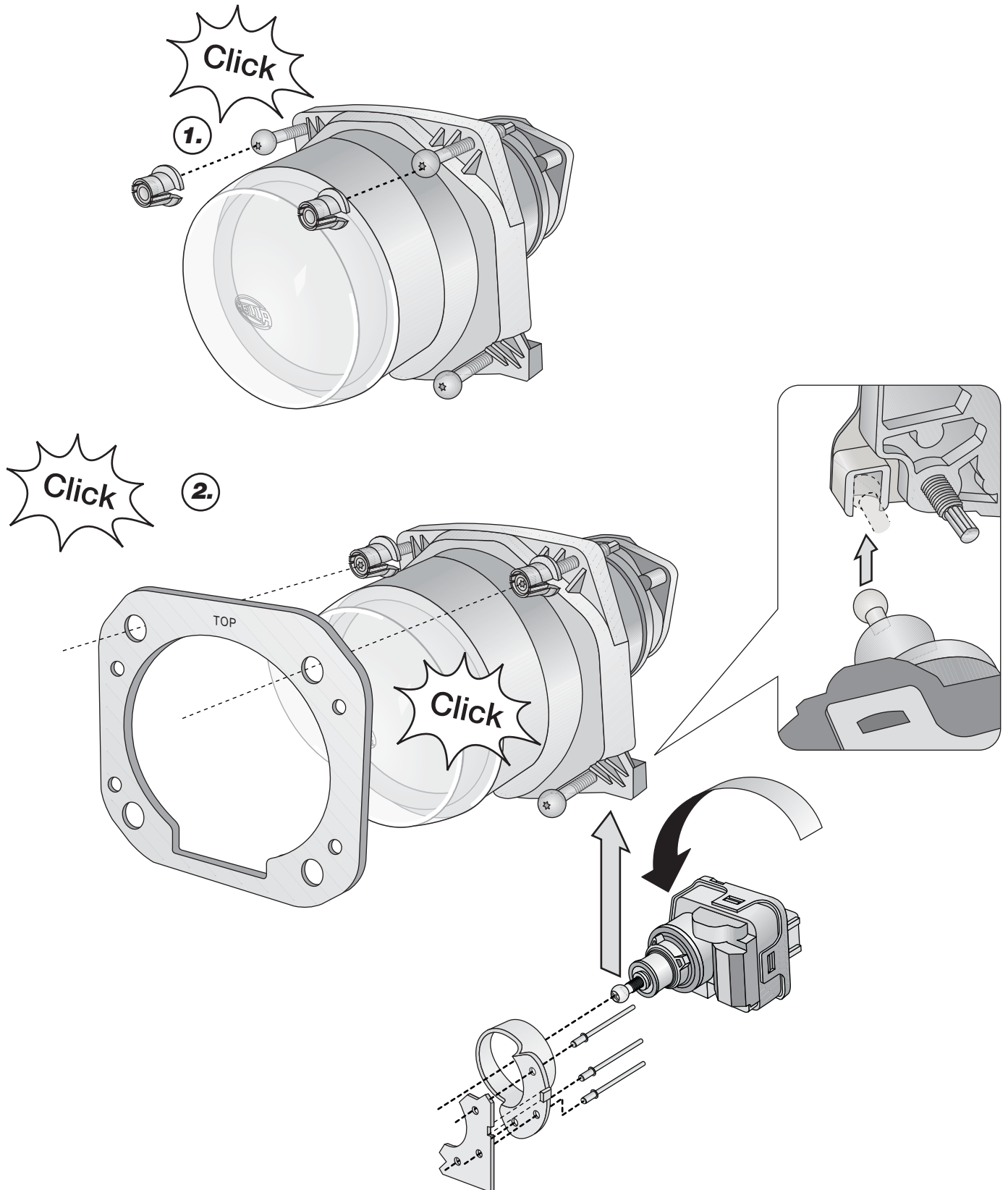


Mounting with carrier frame

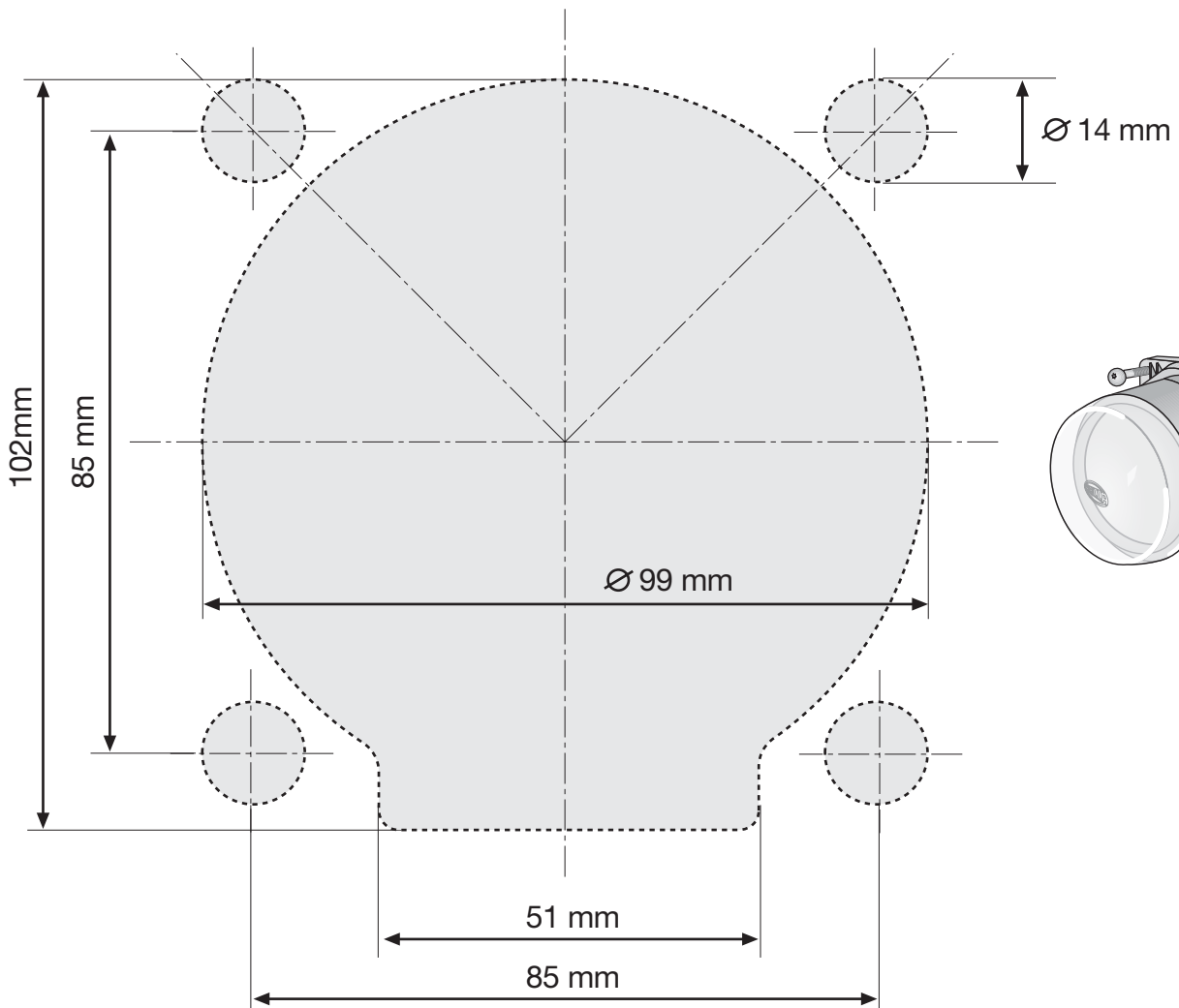
Drill plan



Mounting with carrier frame

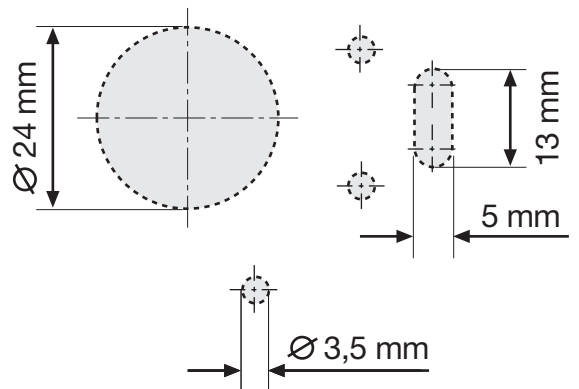
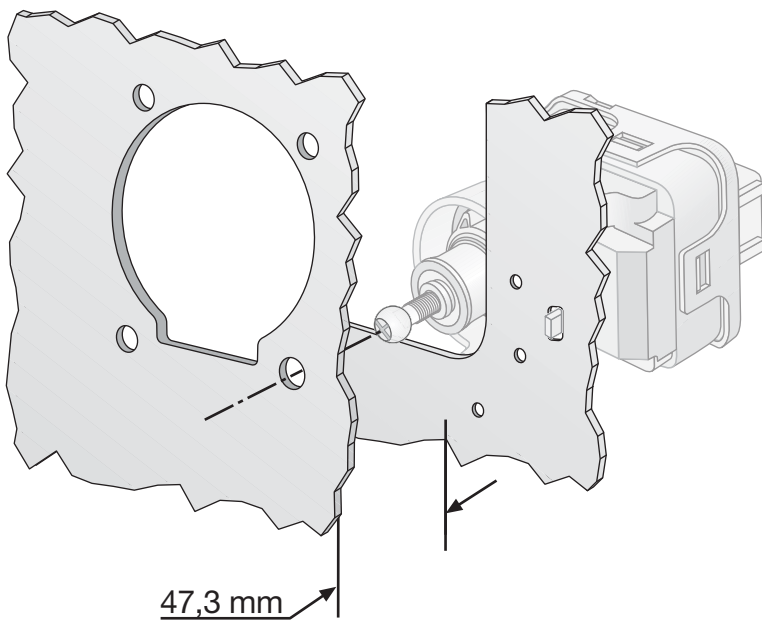


Bohrbild



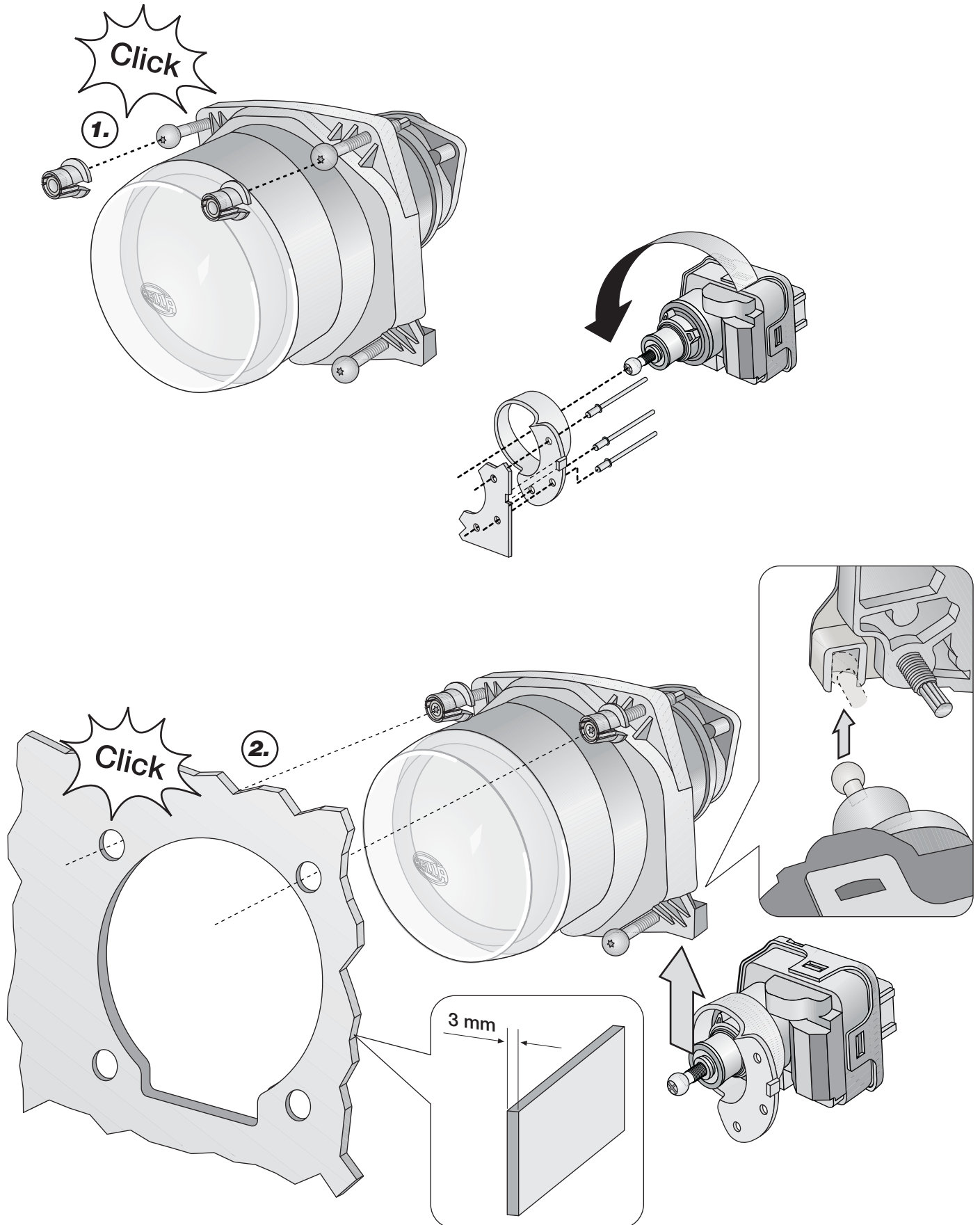
Achtung:
Maßstab beachten

Note:
Scale to be noted



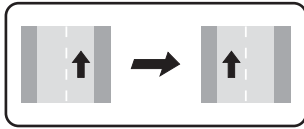
90 mm Modul Premium

Mounting, customer-specific installation



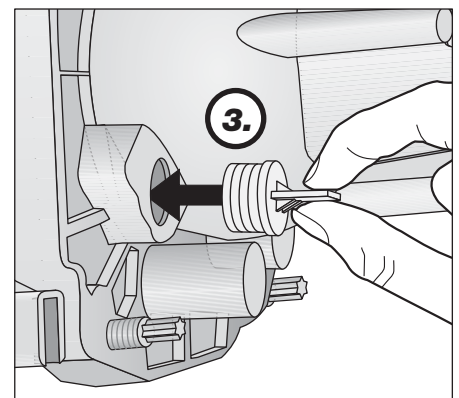
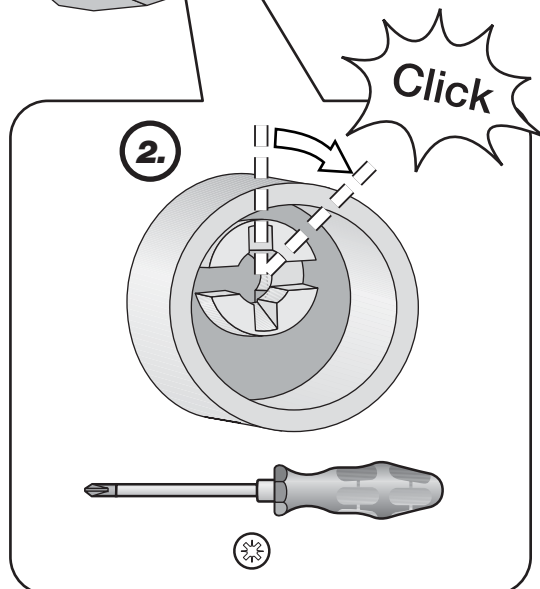
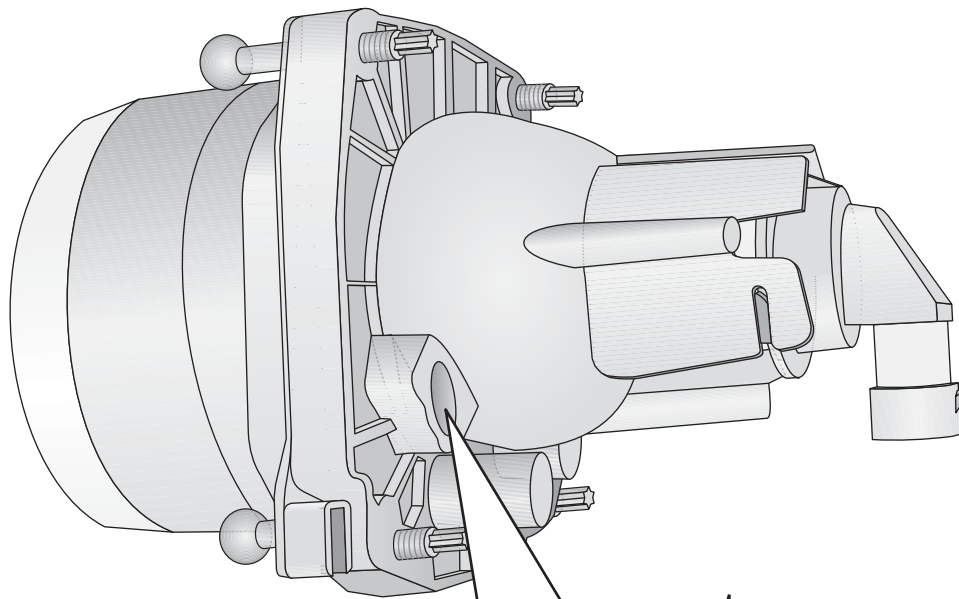
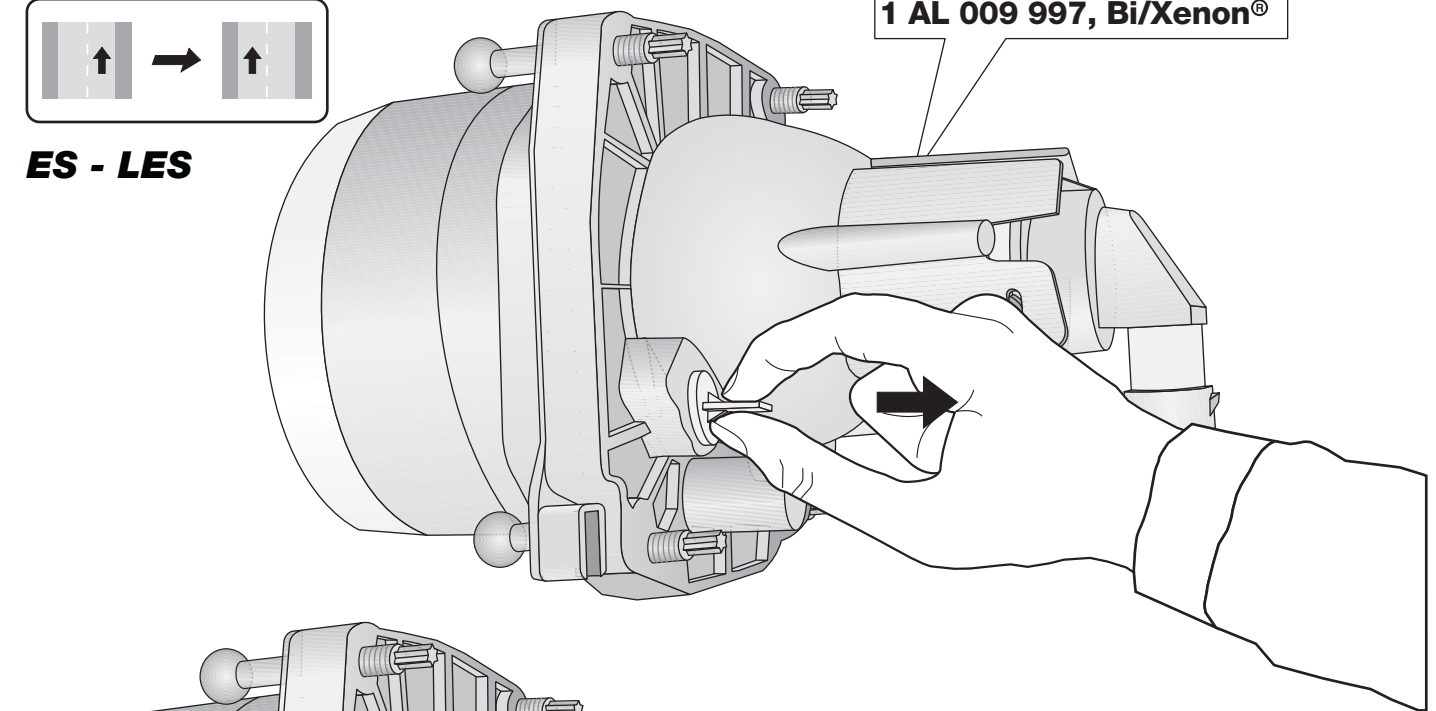
90 mm Modul Premium

Tourist solution



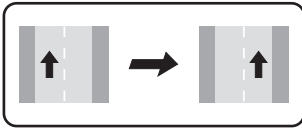
ES - LES

1 BL 009 999, Halogen
1 AL 009 998, Bi/Halogen
1 AL 009 997, Bi/Xenon®



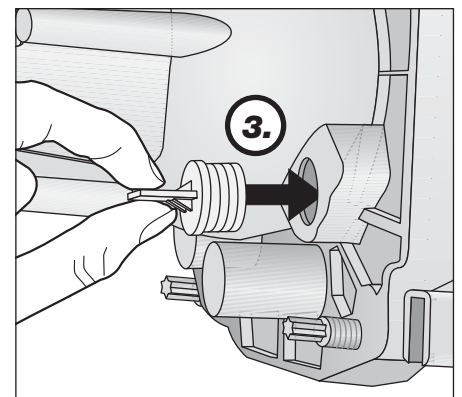
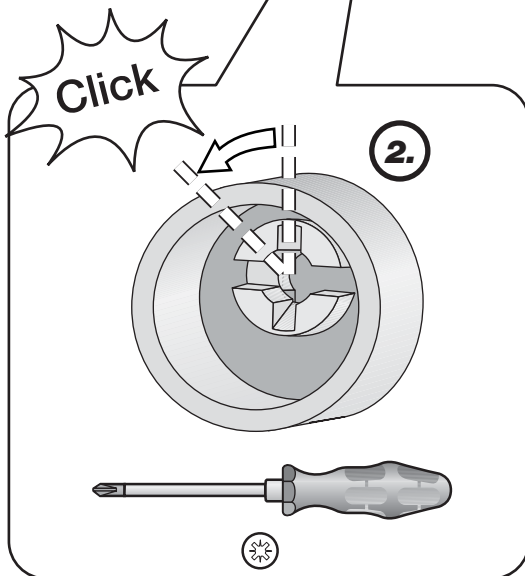
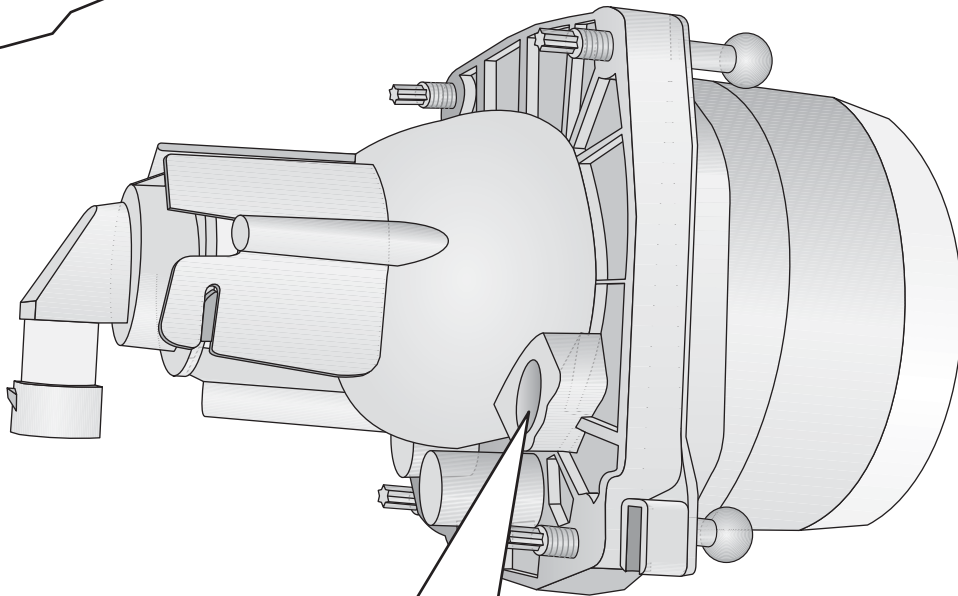
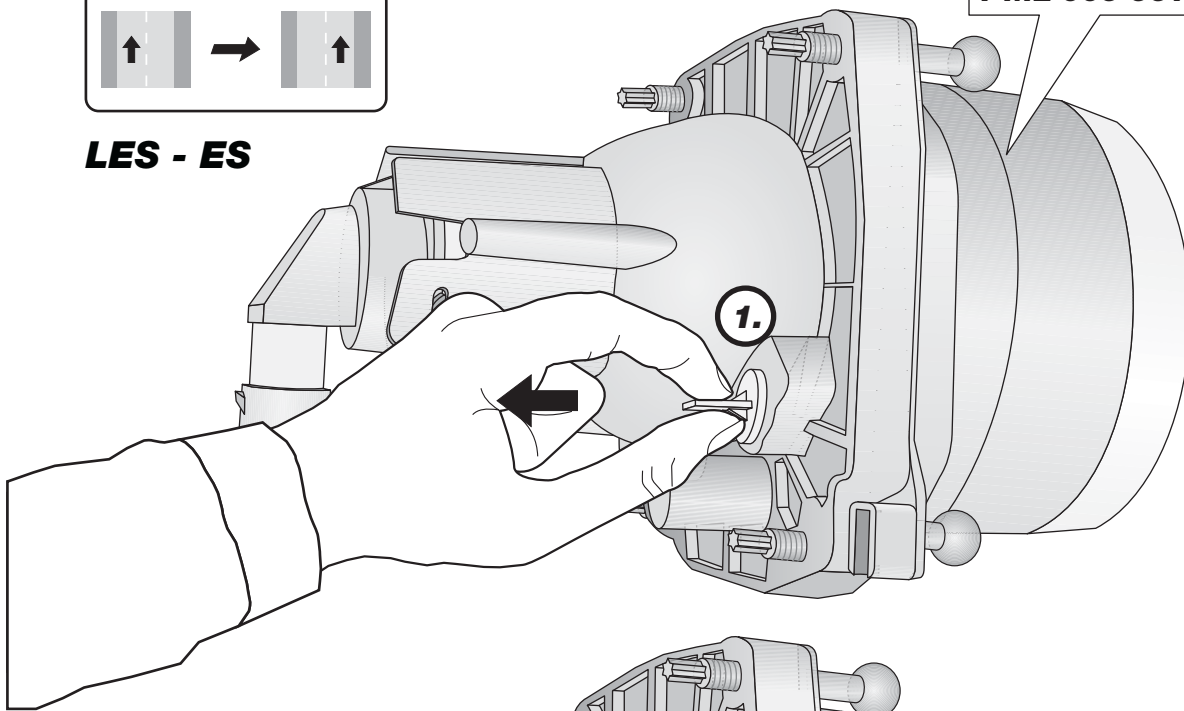
90 mm Modul Premium

Tourist solution

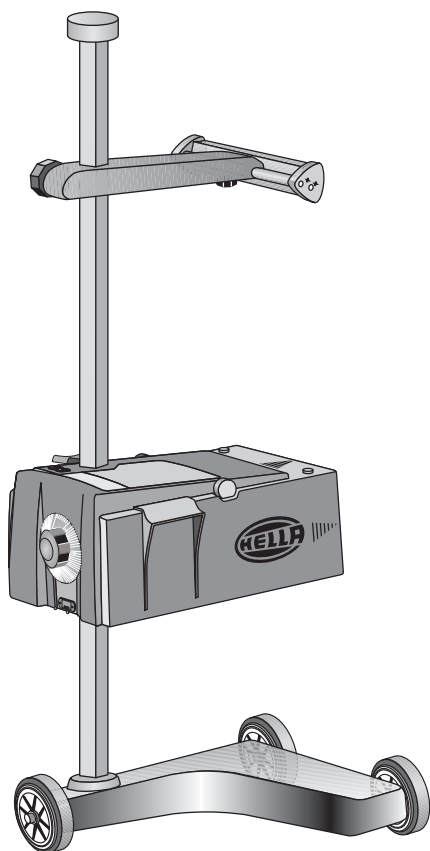


LES - ES

- 1 LL 009 999, Halogen
- 1 LL 009 998, Bi/Halogen
- 1 ML 009 997, Bi/Xenon®



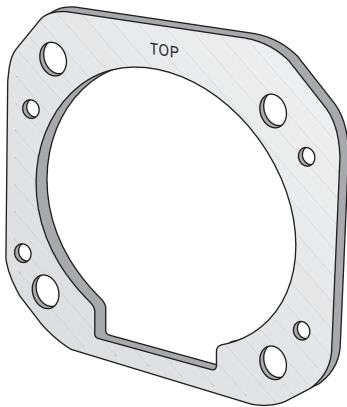
90 mm Modul Classic · Performance · Premium



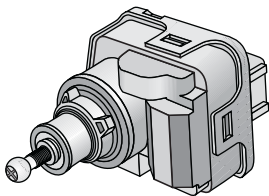
Important note:

All headlamps must be adjusted after installation using a suitable beamsetter.

Accessories



9 AH 169 580-011 *mCarrier Premium*



8 XX 008 614-101 *Automatic headlight range adjustment, 24 V, for Xenon, two sensors*

8 XX 008 644-001 *Add-on set with 2nd sensor (complete set)*

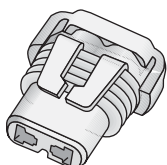
6 NM 007 282-221 *Headlight range adjustment setting motor, 12 V, for halogen*

6 NM 007 282-231 *Headlight range adjustment setting motor, 12 V, for Xenon*

6 NM 008 299-501 *Headlight range adjustment setting motor, 24 V, for halogen*

8 XX 008 614-011 *Automatic headlight range adjustment, 12 V, for Xenon, one sensor*

8 XX 008 614-031 *Automatic headlight range adjustment, 12 V, for Xenon, one sensor with longer sensor cable assembly for vehicles up to 3.5 t and caravans*



8 JD 156 151-807 *Connection plug for Xenon ballast*

8 JD 156 151-807 *Connection plug for halogen bulb*

} Set of 20

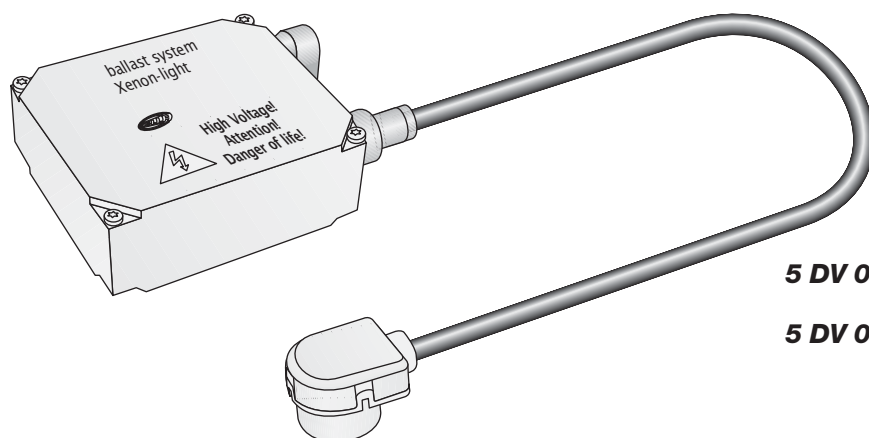
Connection plug, 2-pole, for switching low beam / high beam (only for Bi-Halogen and Bi-Xenon®)



8 JA 746 184-022 Jack housing (10 units)

8 KW 744 837-002 Jack contact (50 units)

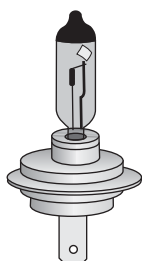
9 GD 746 185-002 Individual wire seal (50 units)



5 DV 007 760-631 Xenon ballast, 12 V

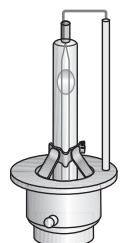
5 DV 007 810-171 Xenon ballast, 24 V

Light sources



8 GH 007 157-121 Bulb, 12 V, H7 (Halogen)

8 GH 007 157-231 Bulb, 24 V, H7 (Halogen)



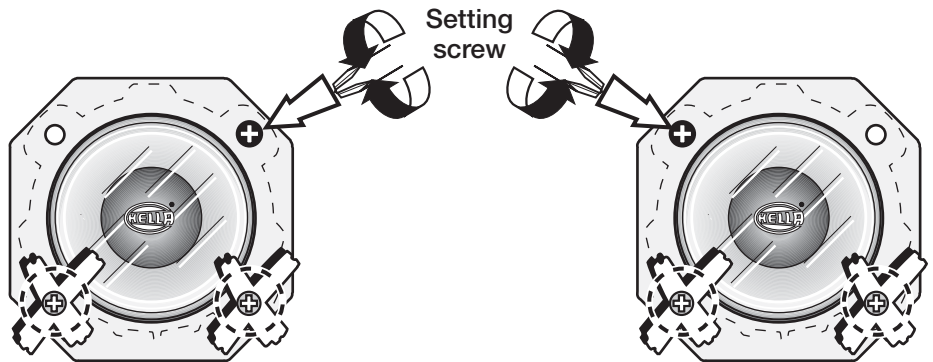
8 GS 007 949-101 Xenonlampe, D2S
Xenon bulb, D2S

90 mm Modul Classic· Premium

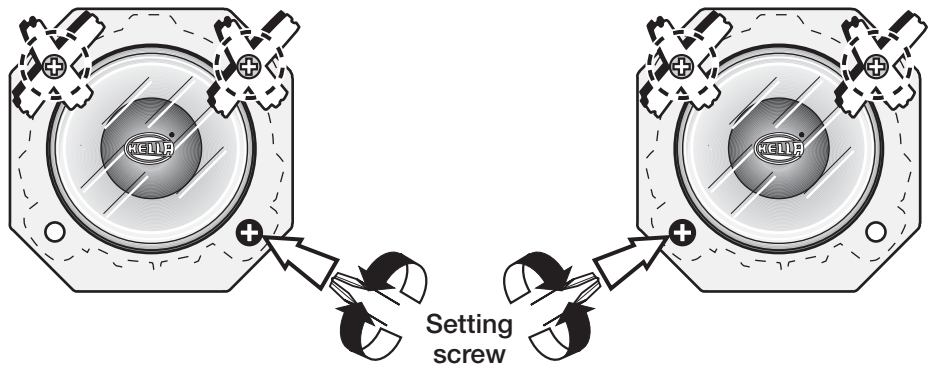
Installation instructions (for SAE versions only)



Vertical adjustment of the headlights is permissible. Horizontal adjustment of the headlights is prohibited according to SAE regulations.



or



The marked setting screws have to be secured by the vehicle owner against being moved after initial basic setting has been made.