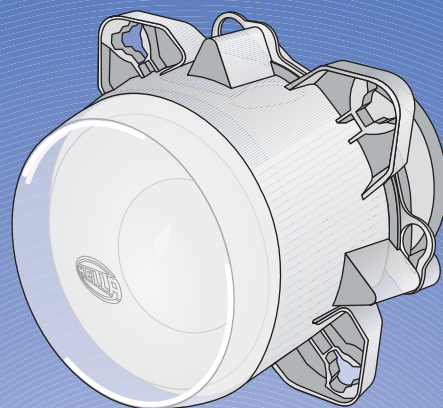


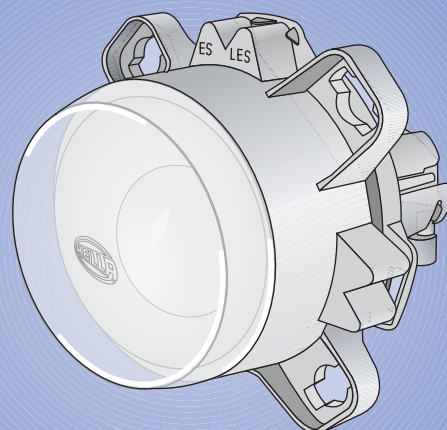
**Information & Montageanleitung**

**Information & Mounting instructions**

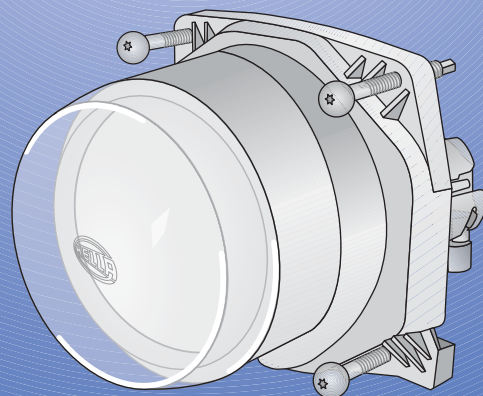
**Classic**



**Performance**



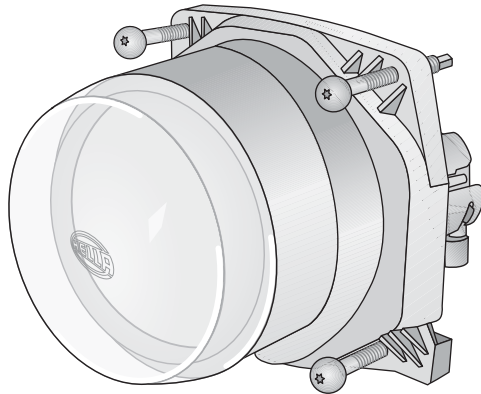
**Premium**



**90 mm Module**



**Halogen H7**



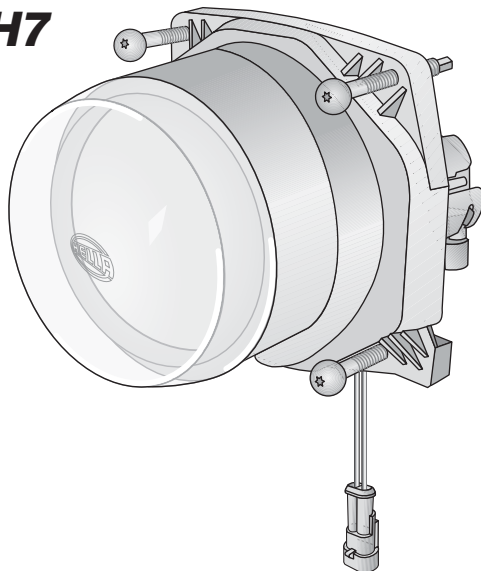
**12V**

ES / ECE  1BL 009 999-...  
LES / ECE  1ML 009 999-...  
US / SAE  1BL 009 999-...

**24V**

ES / ECE  1BL 009 999-...  
LES / ECE  1ML 009 999-...

**Bi-Halogen H7**



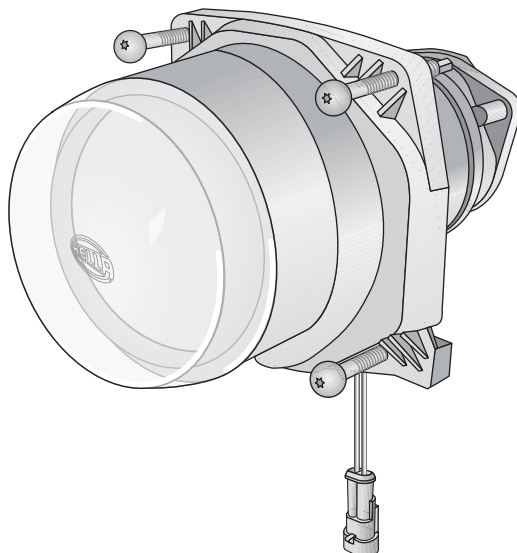
**12V**

ES / ECE  1BL 009 998-...  
LES / ECE  1ML 009 998-...  
US / SAE  1BL 009 998-...

**24V**

ES / ECE  1AL 009 998-...  
LES / ECE  1LL 009 998-...

**Bi-Xenon®**



**12V**

ES / ECE  1AL 009 997-...  
LES / ECE  1LL 009 997-...  
US / SAE  1AL 009 997-...

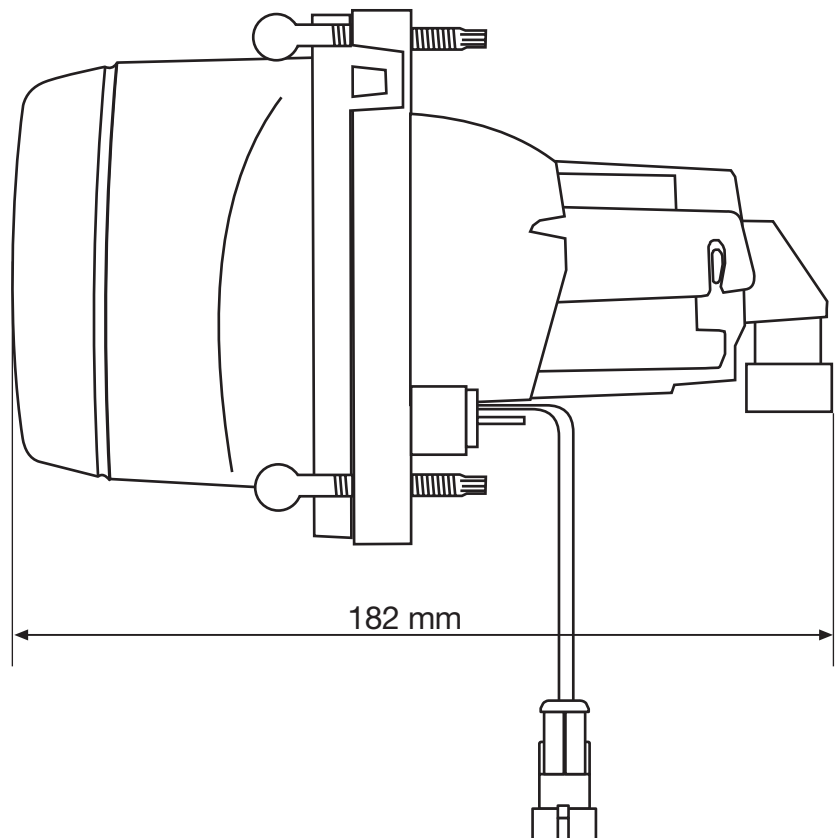
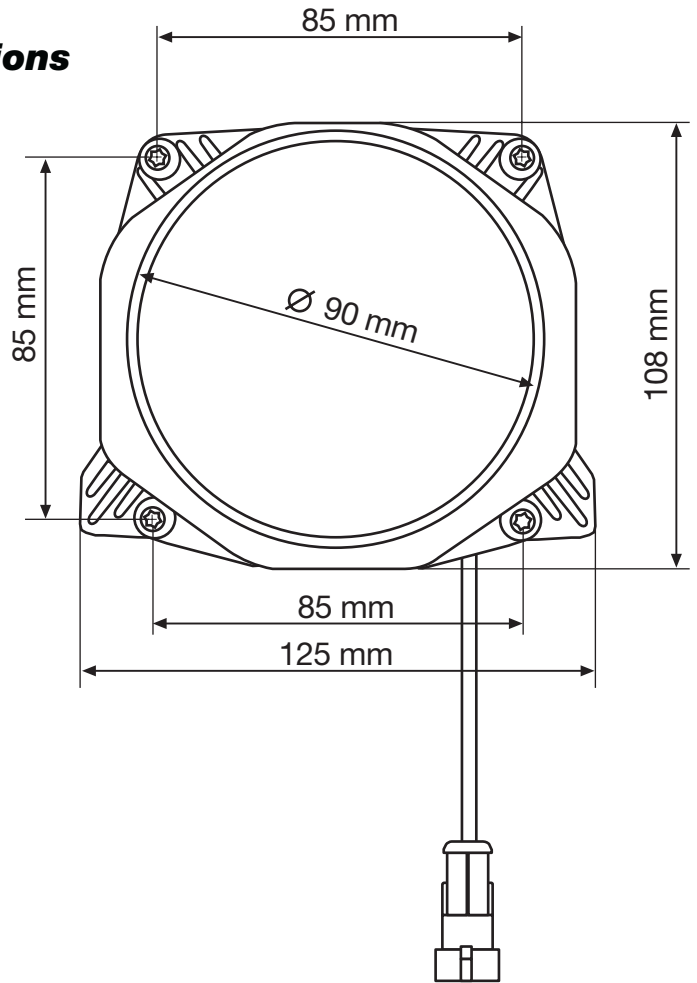
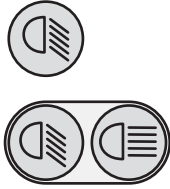
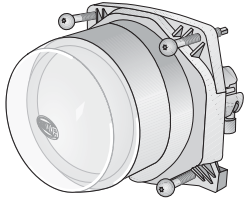
**24V**

ES / ECE  1AL 009 997-...  
LES / ECE  1LL 009 997-...

# 90 mm Modul Premium

## Einbaumaße Installation dimensions

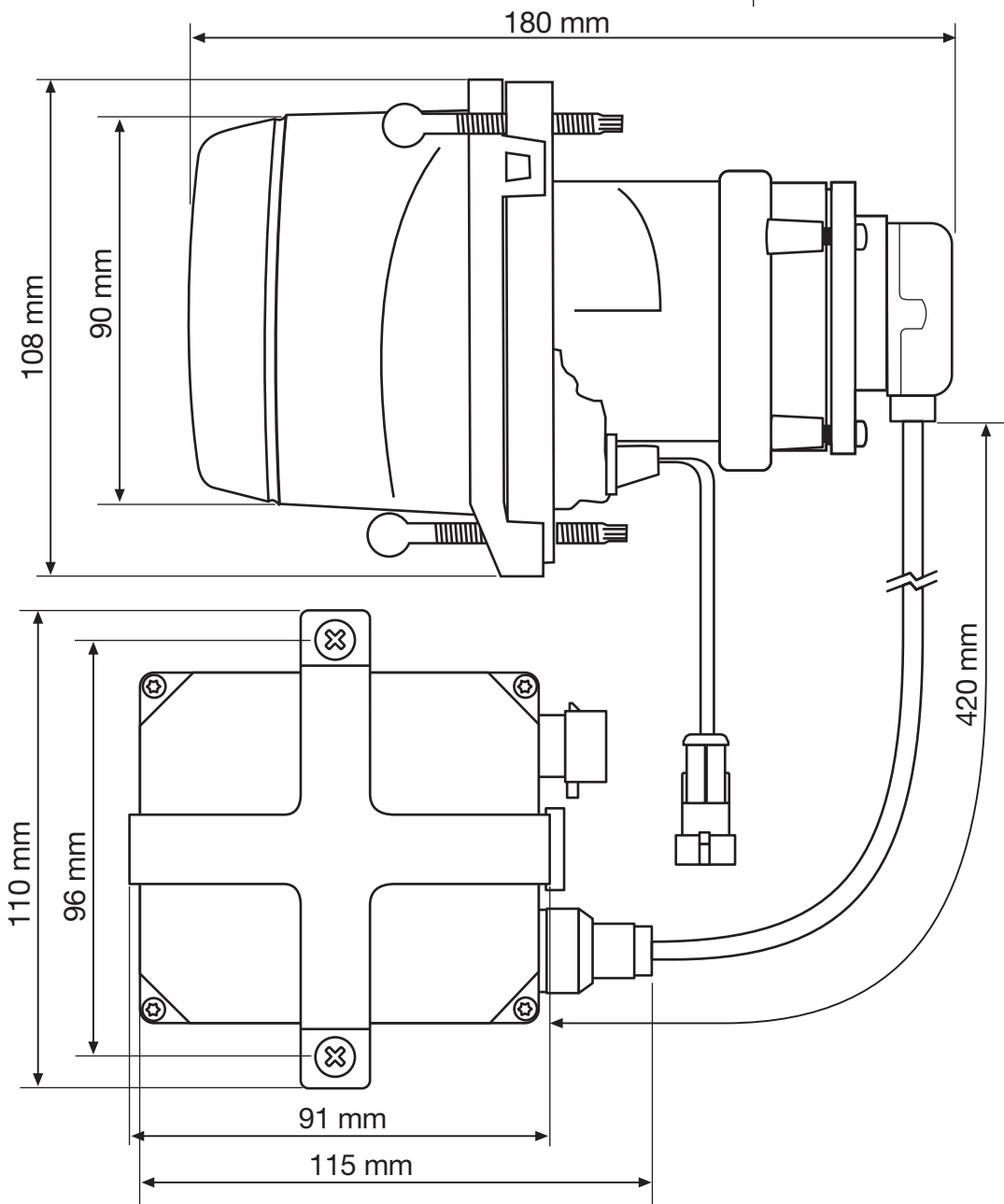
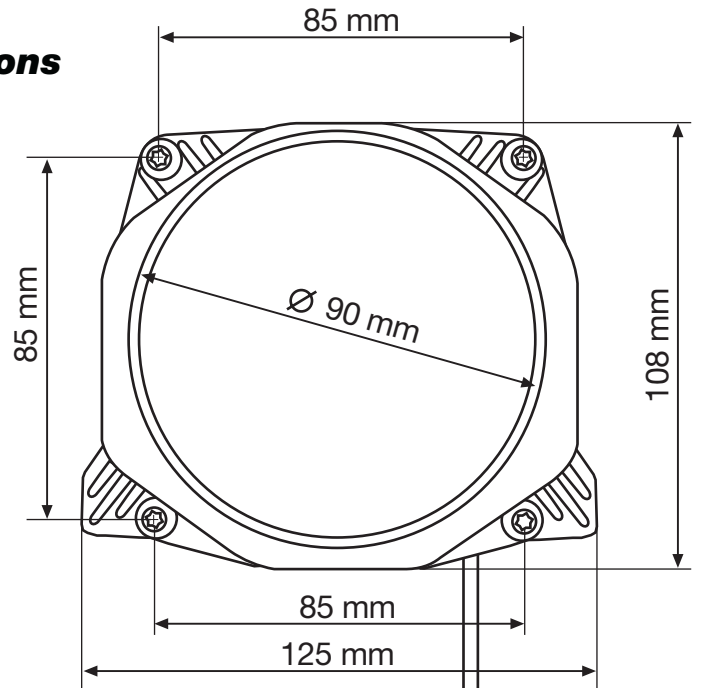
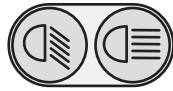
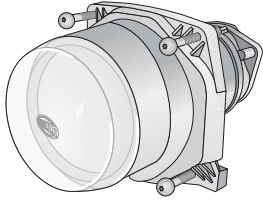
Halogen / Bi-Halogen



# 90 mm Modul Premium

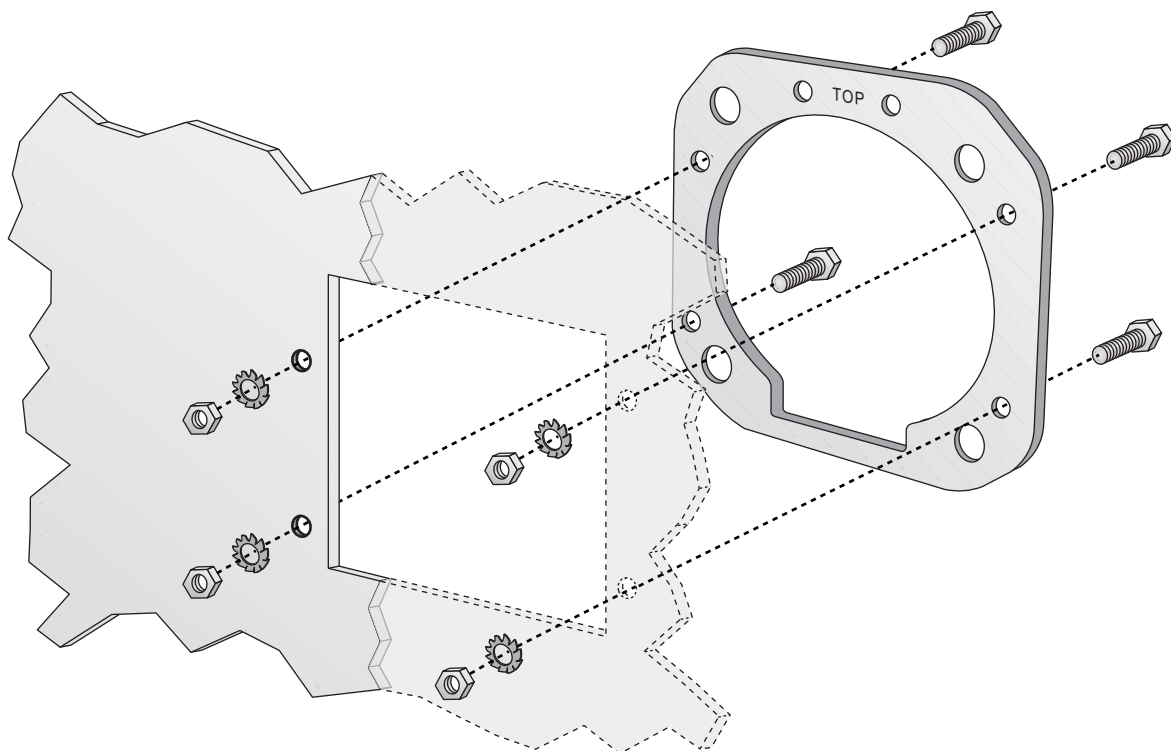
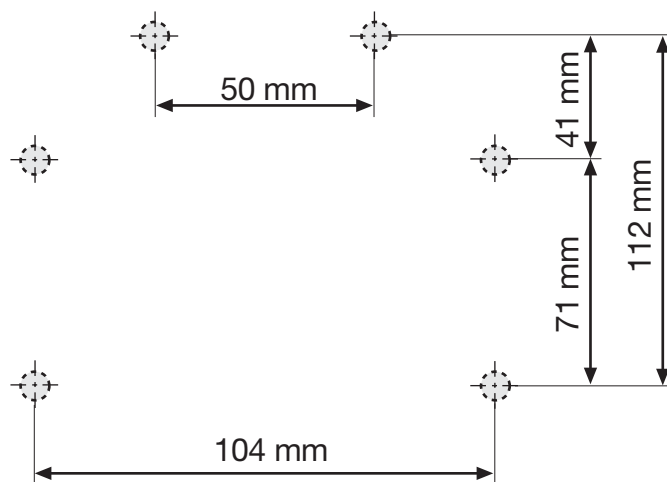
## Einbaumaße Installation dimensions

Bi-Xenon®

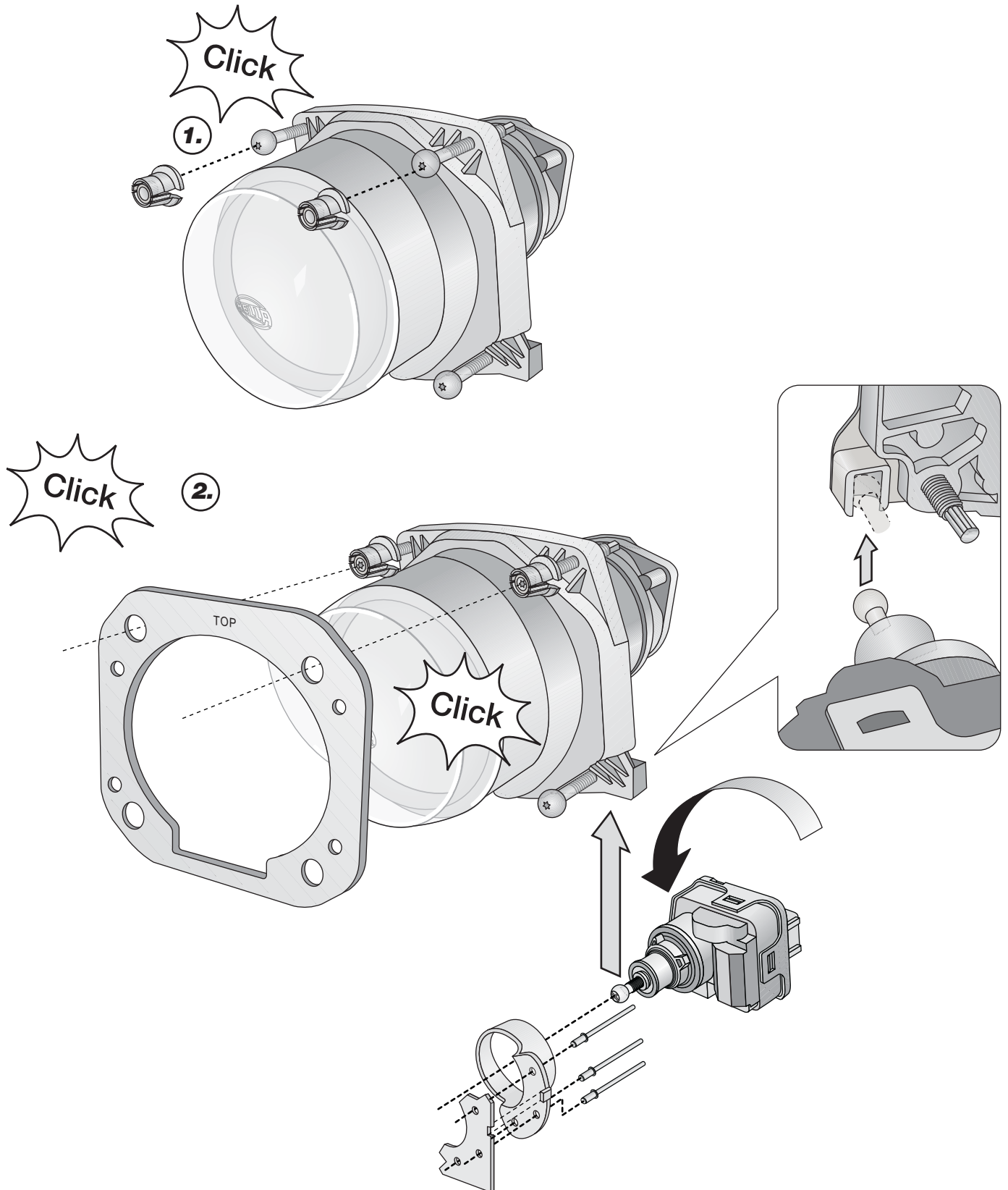


**Mounting with carrier frame**

**Drill plan**

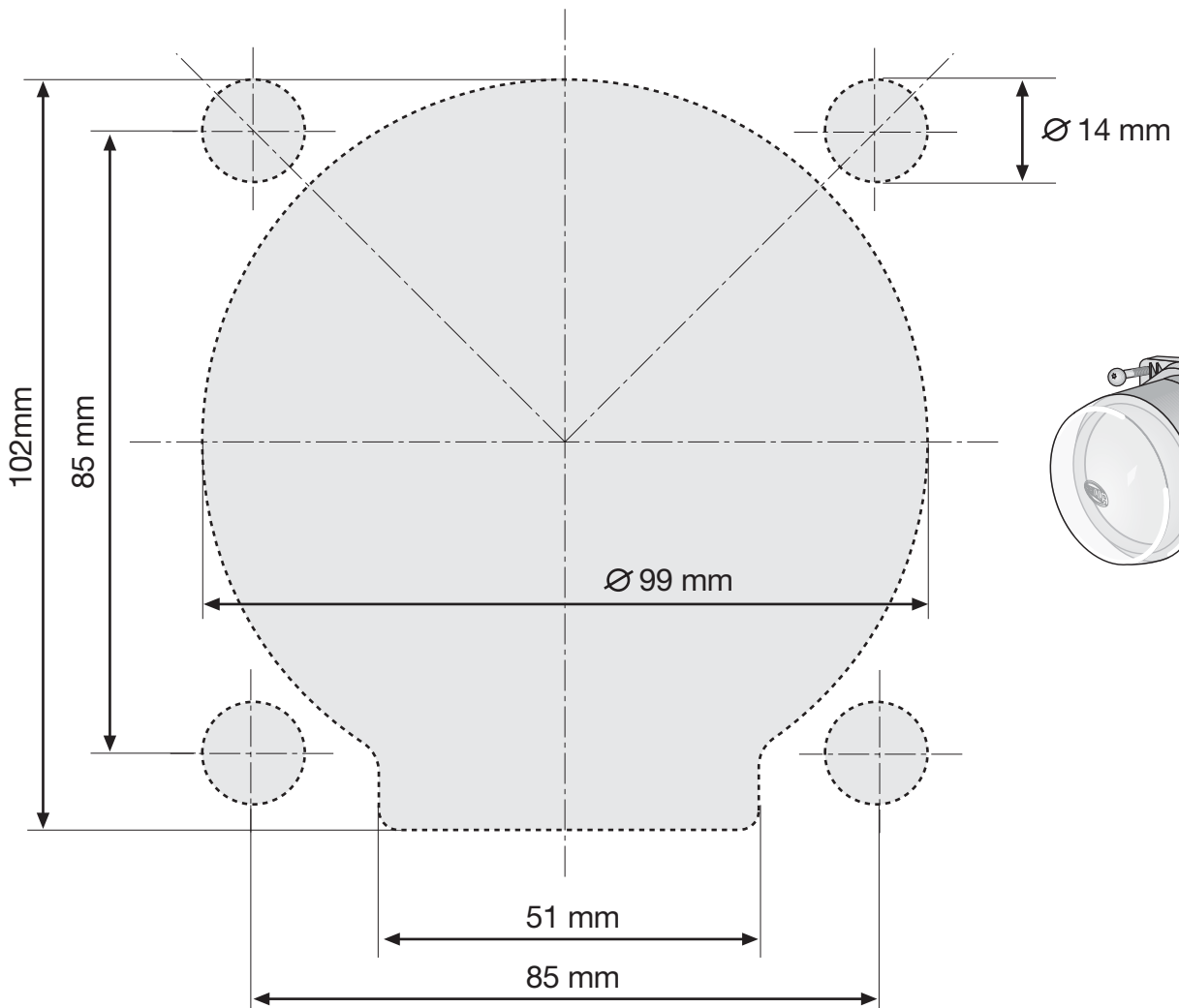


**Mounting with carrier frame**



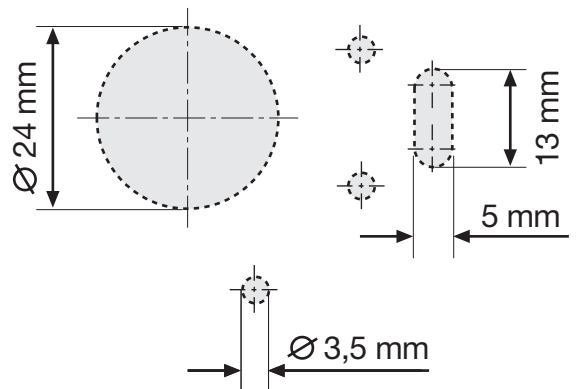
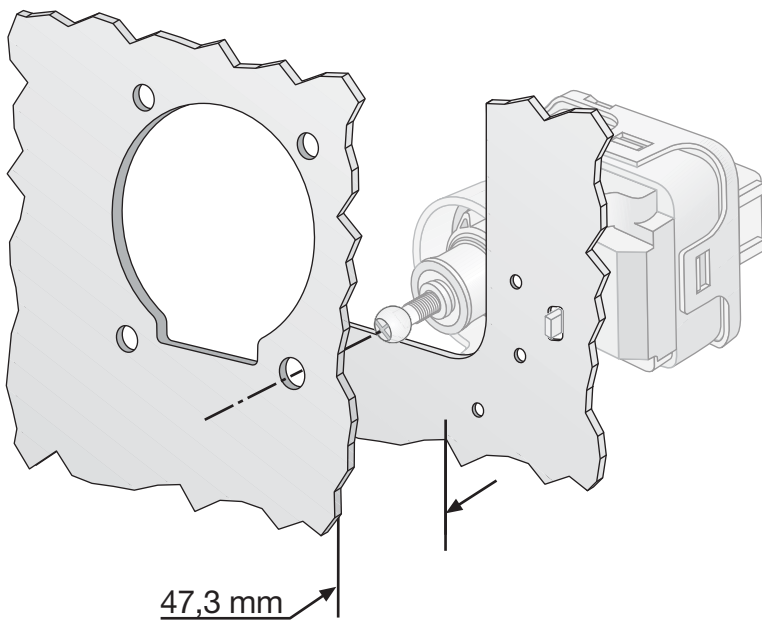


**Bohrbild**



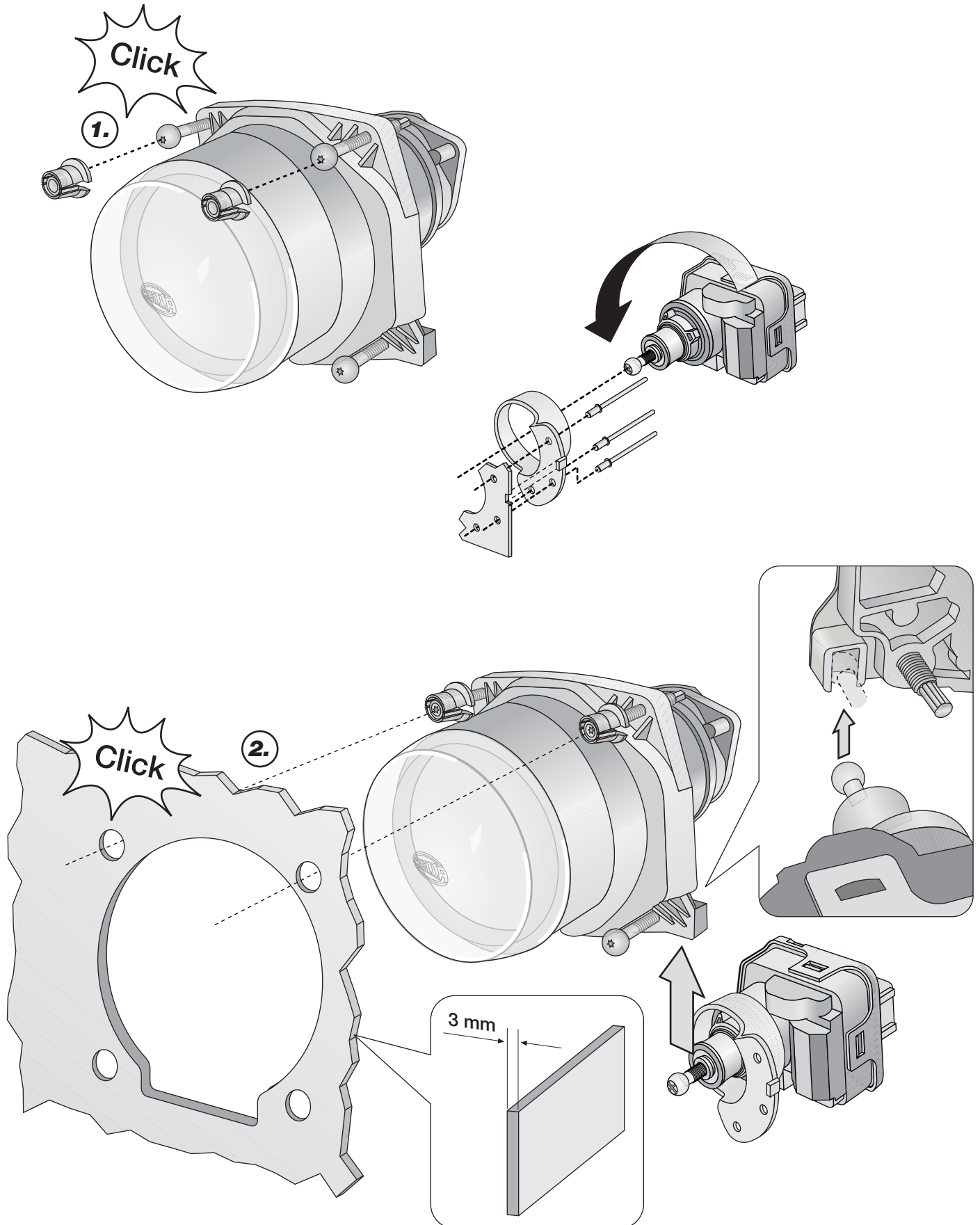
**Achtung:**  
**Maßstab beachten**

**Note:**  
**Scale to be noted**



# 90 mm Modul Premium

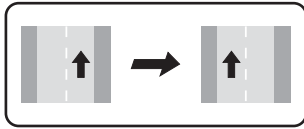
## Mounting, customer-specific installation





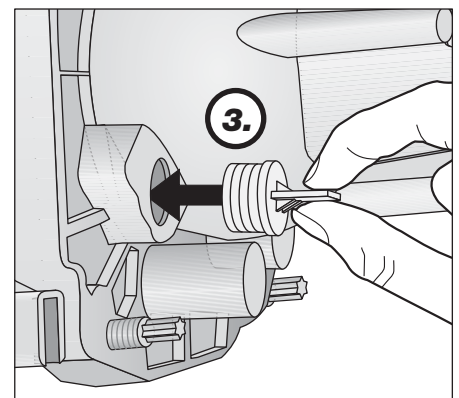
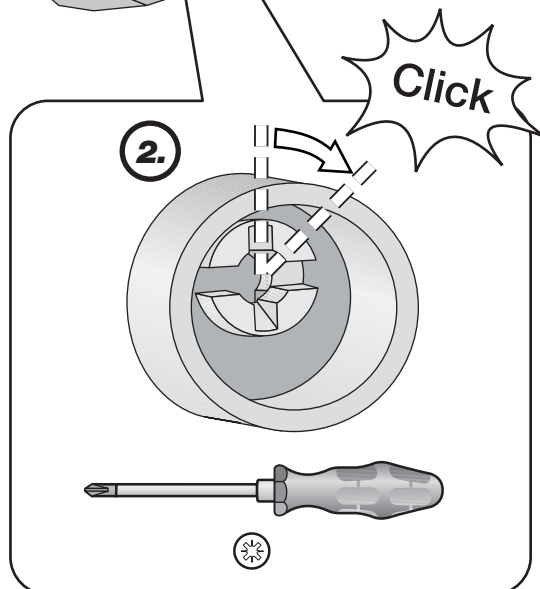
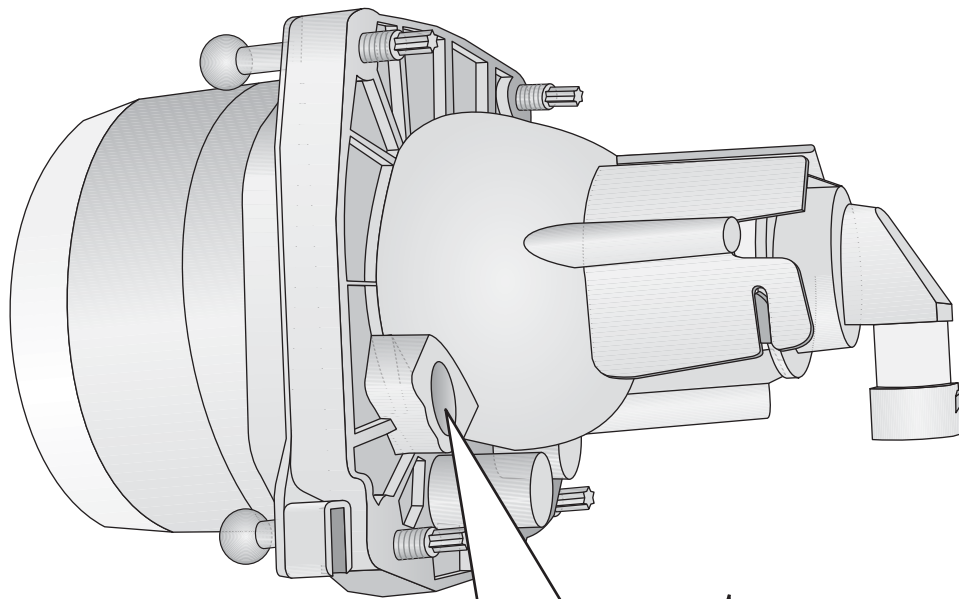
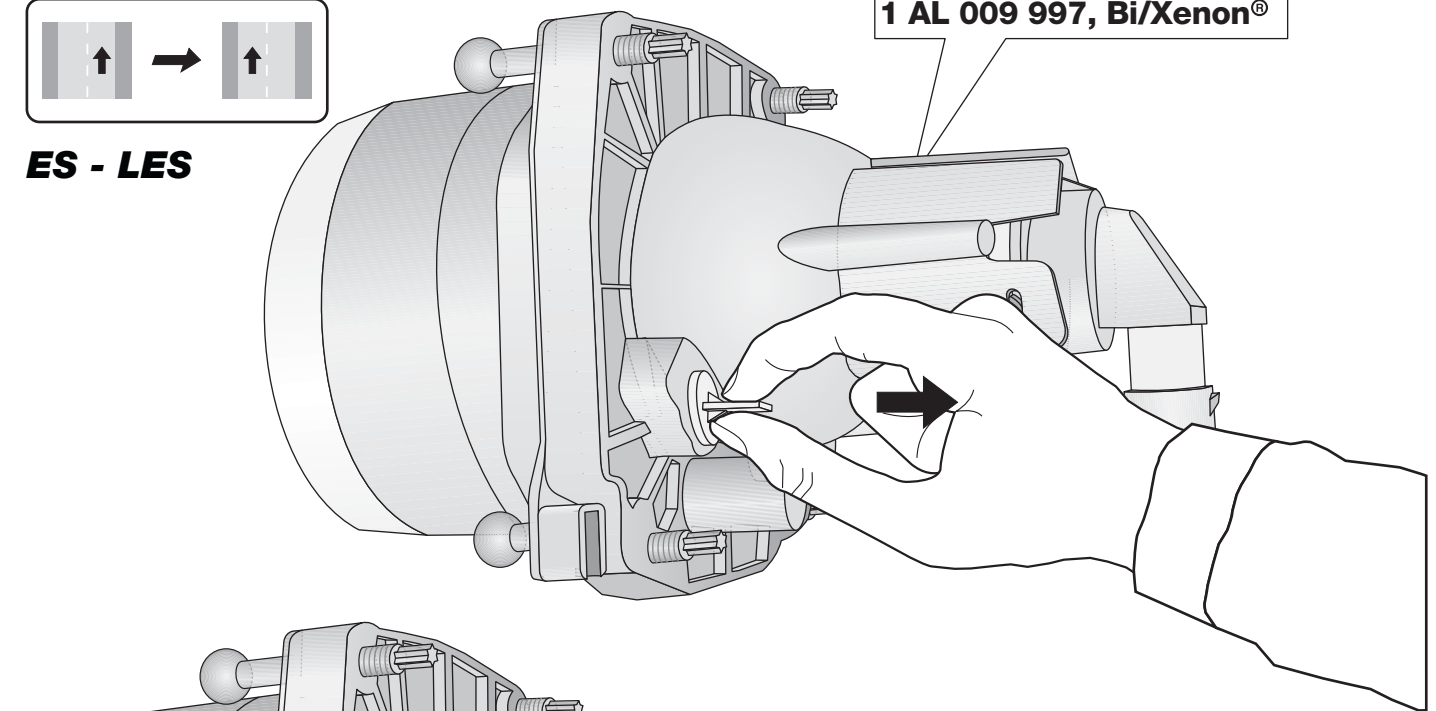
# 90 mm Modul Premium

## Tourist solution



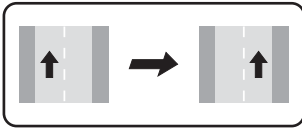
**ES - LES**

1 BL 009 999, Halogen  
1 AL 009 998, Bi/Halogen  
1 AL 009 997, Bi/Xenon®



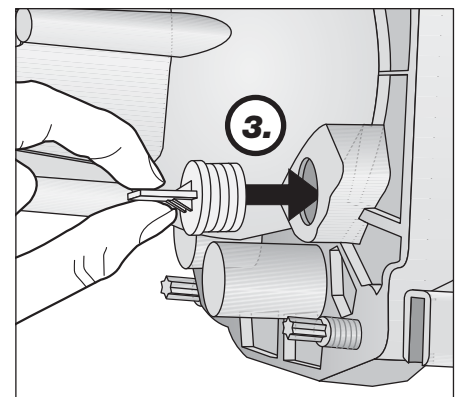
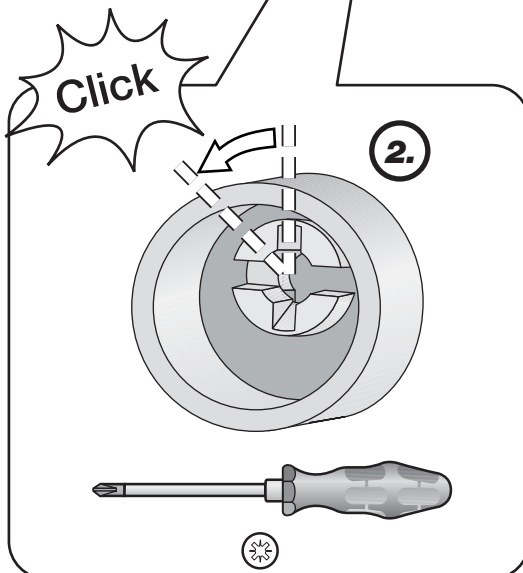
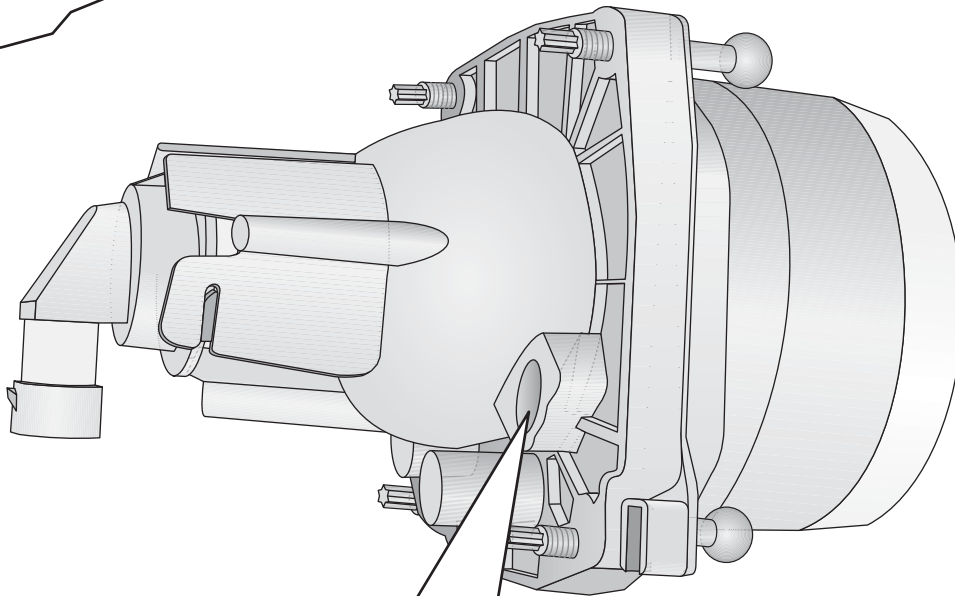
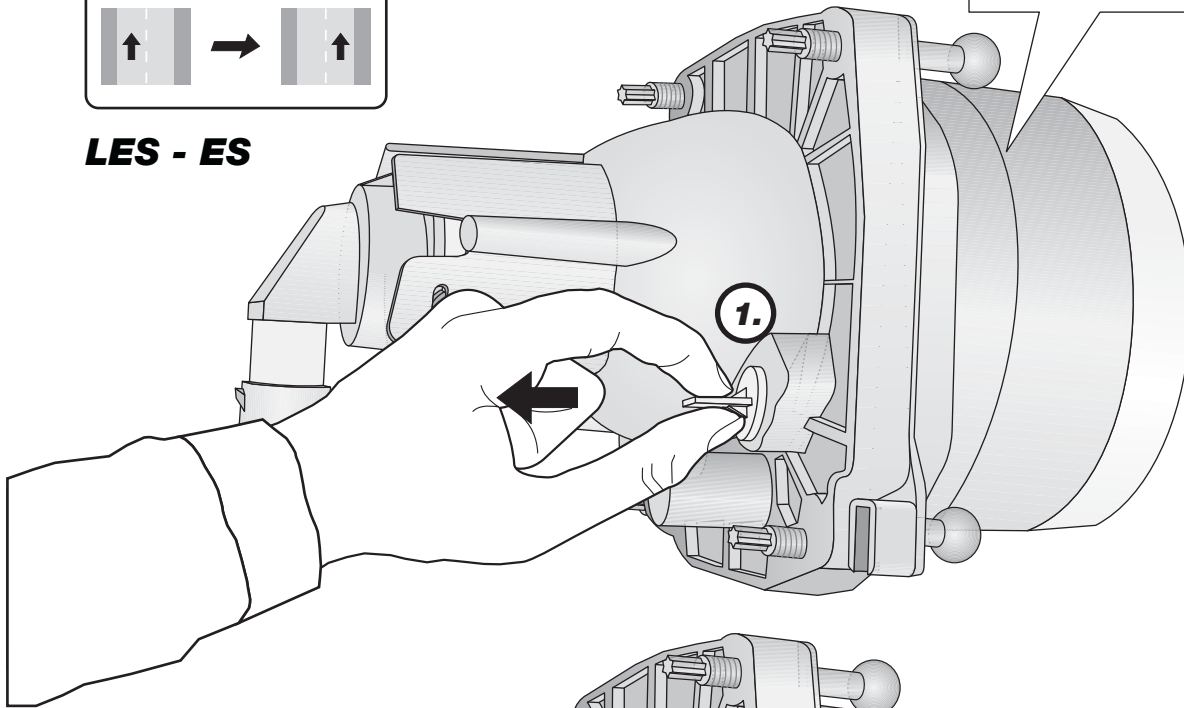
# 90 mm Modul Premium

## Tourist solution

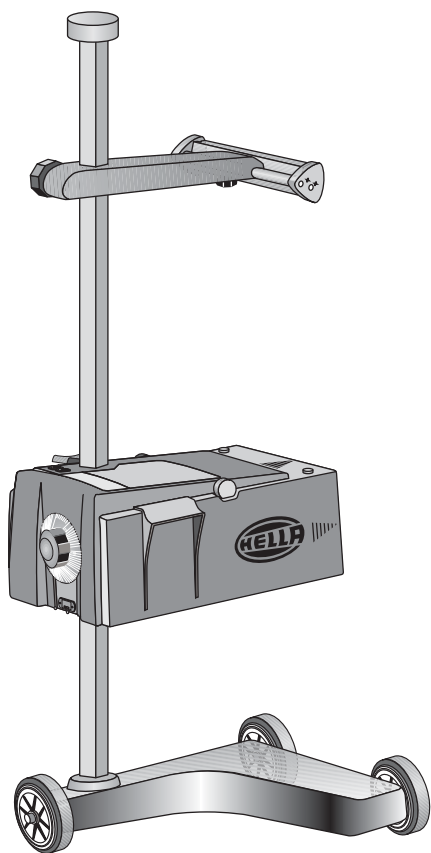


**LES - ES**

- 1 LL 009 999, Halogen
- 1 LL 009 998, Bi/Halogen
- 1 ML 009 997, Bi/Xenon®



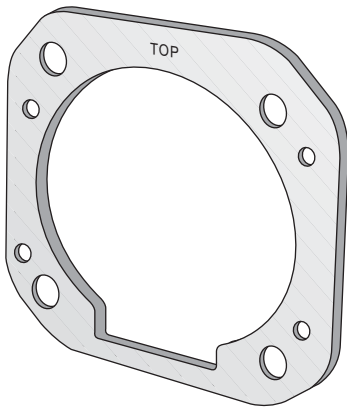
## 90 mm Modul Classic · Performance · Premium



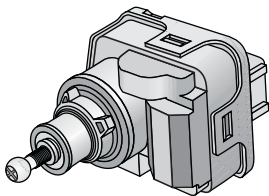
### Important note:

All headlamps must be adjusted after installation using a suitable beamsetter.

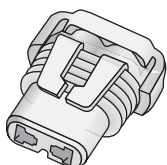
## Accessories



**9 AH 169 580-011** *mCarrier Premium*



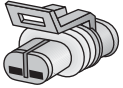
- 8 XX 008 614-101** *Automatic headlight range adjustment, 24 V, for Xenon, two sensors*
- 8 XX 008 644-001** *Add-on set with 2nd sensor (complete set)*
- 6 NM 007 282-221** *Headlight range adjustment setting motor, 12 V, for halogen*
- 6 NM 007 282-231** *Headlight range adjustment setting motor, 12 V, for Xenon*
- 6 NM 008 299-501** *Headlight range adjustment setting motor, 24 V, for halogen*
- 8 XX 008 614-011** *Automatic headlight range adjustment, 12 V, for Xenon, one sensor*
- 8 XX 008 614-031** *Automatic headlight range adjustment, 12 V, for Xenon, one sensor with longer sensor cable assembly for vehicles up to 3.5 t and caravans*



- 8 JD 156 151-807** *Connection plug for Xenon ballast*
- 8 JD 156 151-807** *Connection plug for halogen bulb*

} Set of 20

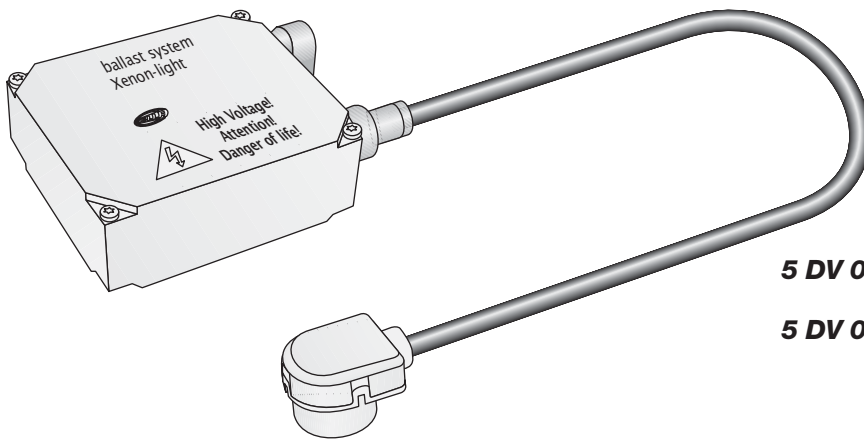
## Connection plug, 2-pole, for switching low beam / high beam (only for Bi-Halogen and Bi-Xenon®)



8 JA 746 184-022 Jack housing (10 units)

8 KW 744 837-002 Jack contact (50 units)

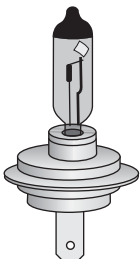
9 GD 746 185-002 Individual wire seal (50 units)



5 DV 007 760-631 Xenon ballast, 12 V

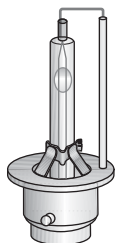
5 DV 007 810-171 Xenon ballast, 24 V

## Light sources



8 GH 007 157-121 Bulb, 12 V, H7 (Halogen)

8 GH 007 157-231 Bulb, 24 V, H7 (Halogen)



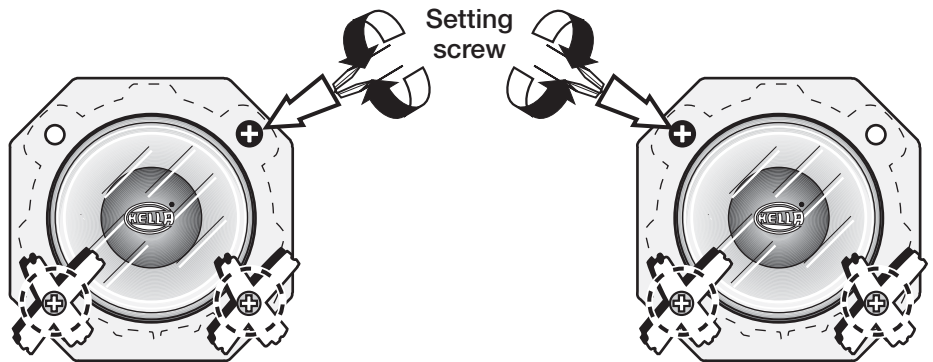
8 GS 007 949-101 Xenonlampe, D2S  
Xenon bulb, D2S

# 90 mm Modul Classic· Premium

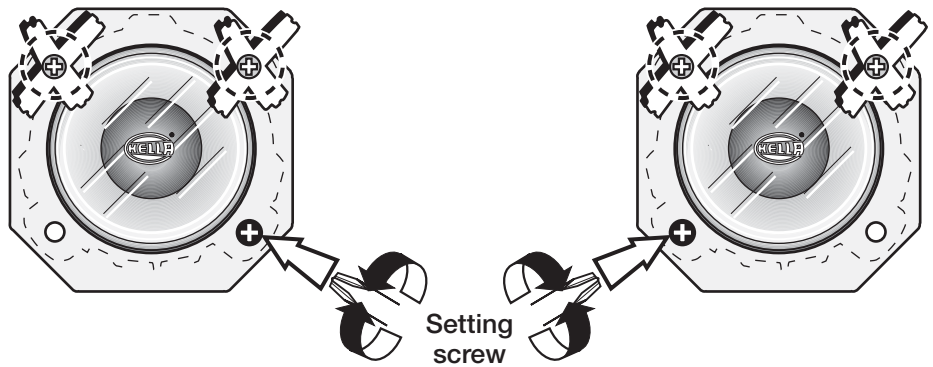
## Installation instructions (for SAE versions only)



Vertical adjustment of the headlights is permissible. Horizontal adjustment of the headlights is prohibited according to SAE regulations.



or



The marked setting screws have to be secured by the vehicle owner against being moved after initial basic setting has been made.