

M6-XL5-2

for 5-Speed Sportsters '04 & Up

Congratulations on your purchase of the popular M6 Chain Tensioner for 5-Speed Sportsters. The M6 Chain Tensioner when installed in your primary engine case, automatically self-adjusts the tension on the primary chain to provide constant and even tension which improves your transition in gear shifting, reduces shifting noise, extends chain life, and makes for a much smoother ride—a true performance product that performs! □

STEP 1

Refer to the HD Manual and disconnect the clutch and remove the primary cover.

STEP 2

You can leave the clutch cable attached to the primary cover. Remove the HD Chain Tensioner and the adjusting bolt from the primary cover by removing the lock nut on the bottom of the cover and screwing the bolt up through the cover using an allen wrench.

Figure 1



STEP 3

Install one of the two SPRINGS provided into the plastic SHOE, if your primary chain has less than 30K miles use the short spring, if your chain exceeds 30K miles or you suspect you have had chain stretch, use the taller of the two. Install the SHOE and SPRING in the GUIDE PLATE. Zip a ZIP TIE around the GUIDE PLATE and SHOE as shown in figure (1). For ease of removing the zip tie after installing the unit into the primary case, it is important that the zip tie tail be towards the primary chain as shown.

STEP 4

Install the primary gasket onto the case. Now you are ready to install the outer primary cover and the M6-XL5-2 onto your motorcycle.

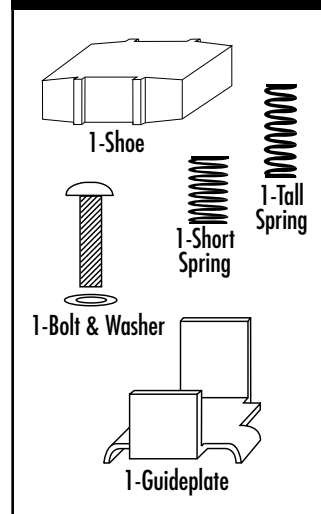
STEP 5

Slide the primary cover onto the shift shaft leaving enough room to install the M6 between the cover and case. Next, install the pre-assembled M6 with the tall side of the steel GUIDE PLATE towards the case by moving it up between the primary cover and case. Push the M6 tensioner up against the chain with the tall side of the GUIDE PLATE **BEHIND** the primary chain and in line with the adjusting hole in the bottom of the primary cover. If installed right, the zip tie will be toward the rear of the bike. As you are pushing up on the M6, push the primary cover further onto the shift shaft, but **NOT ALL THE WAY**—leave enough room to maneuver to cut the zip tie.

Figure 2



FOR INSTALLATION, THESE PARTS SHOULD BE INCLUDED IN THIS BOX



STEP 6

Next, cut the zip tie leaving the nub on the tail and remove by pulling on the tail as shown in Figure (2). After the zip tie is removed, install the primary cover, taking caution not to damage the gasket.

STEP 7

Align the M6 to the adjusting bolt hole by using a screwdriver or center punch. Install the supplied bolt and washer using blue loctite on the threads.

STEP 8

Remove the inspection cover and check the travel of the primary chain. The chain should travel approximately 3/8 of an inch. If travel is 5/8 or more, replace primary chain for normal operation.

STEP 9

Replace oil and now enjoy the smooth performance of the M6 in your motorcycle.

"Feel the Difference!"