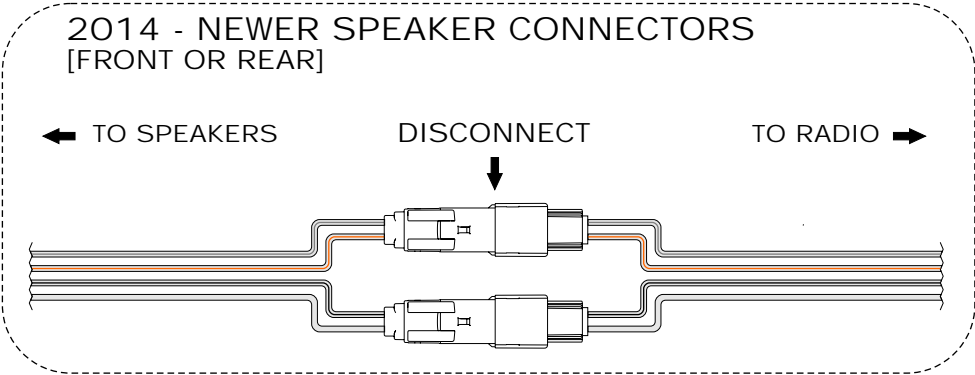
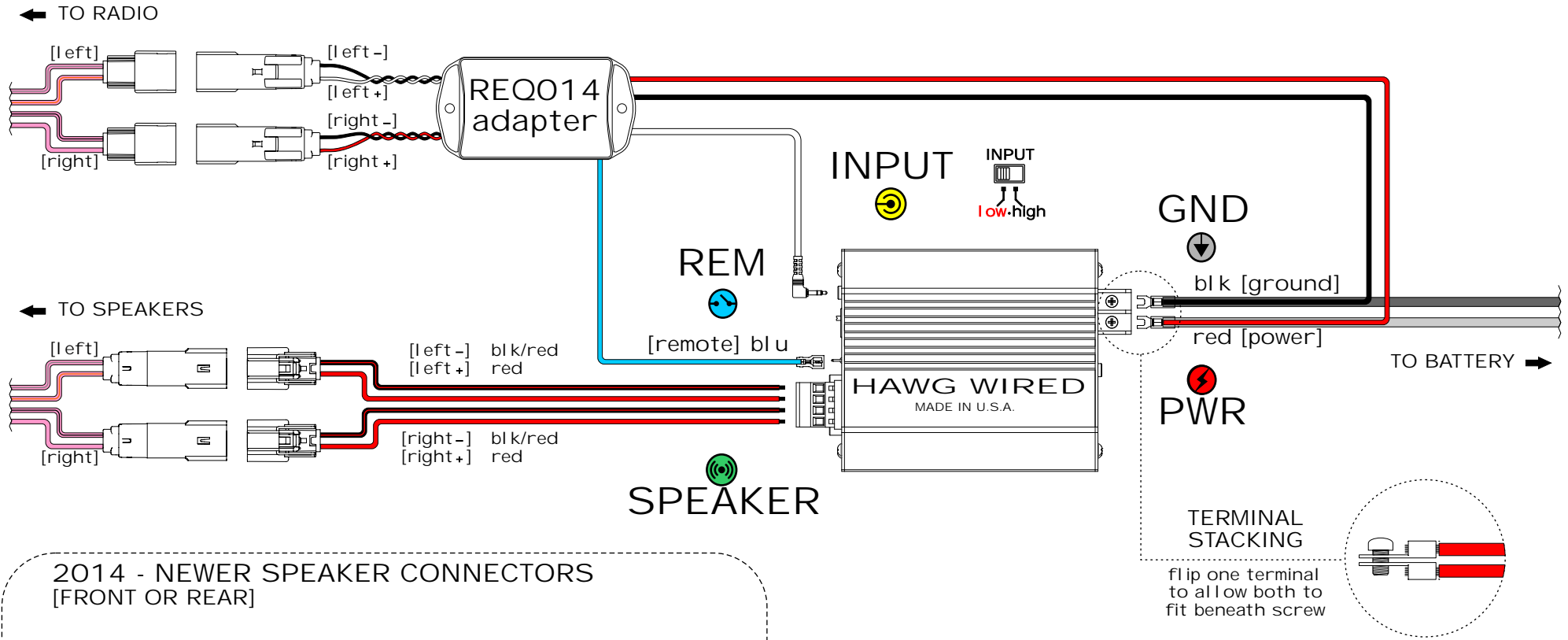


REQ014 WIRING DIAGRAM



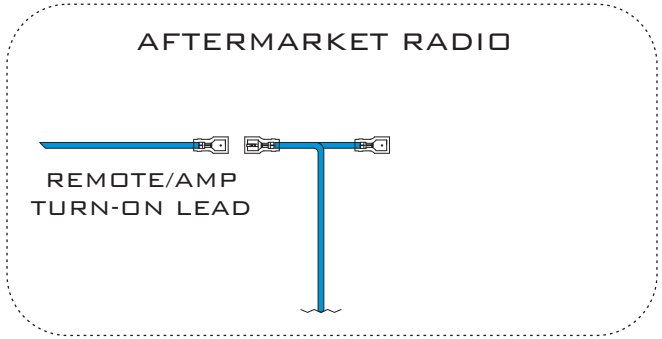
REQ014 - LEGEND

- +12v [battery positive]
- ground [chassis]
- +12v remote turn-on
- source input
- speaker out

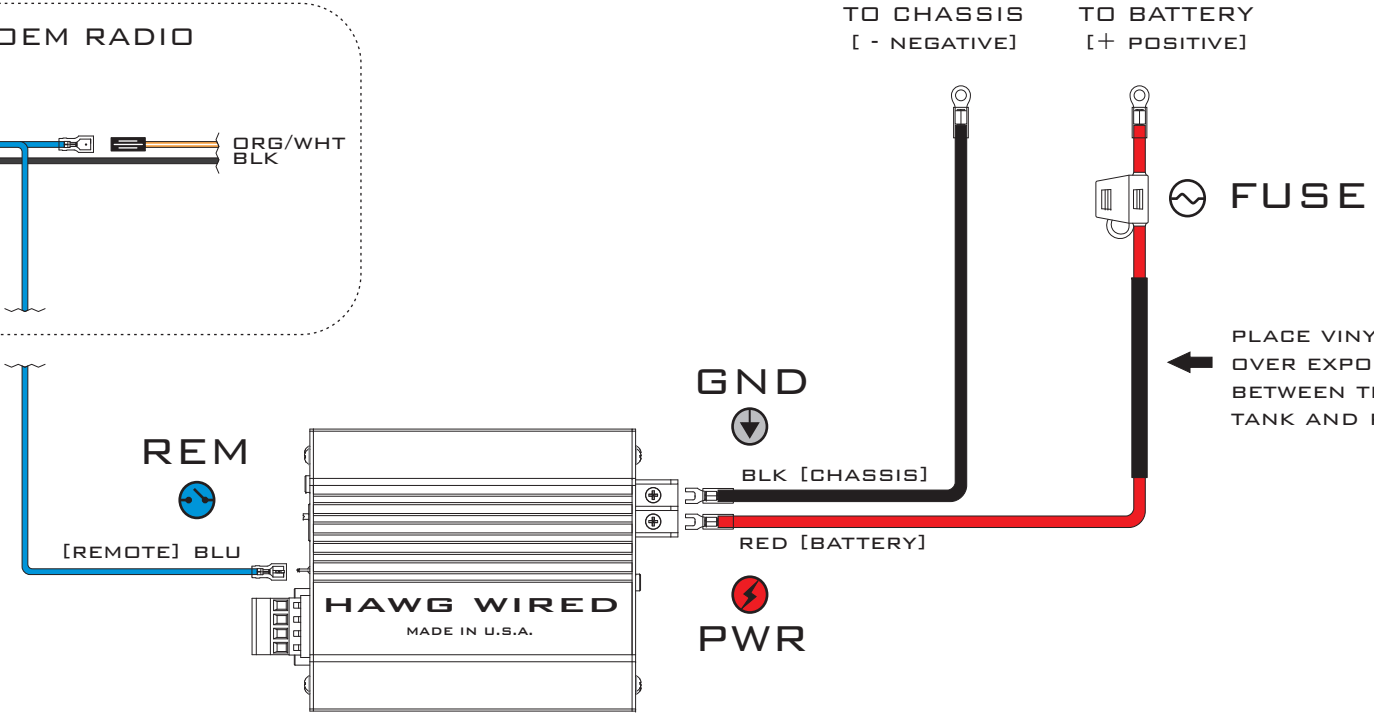
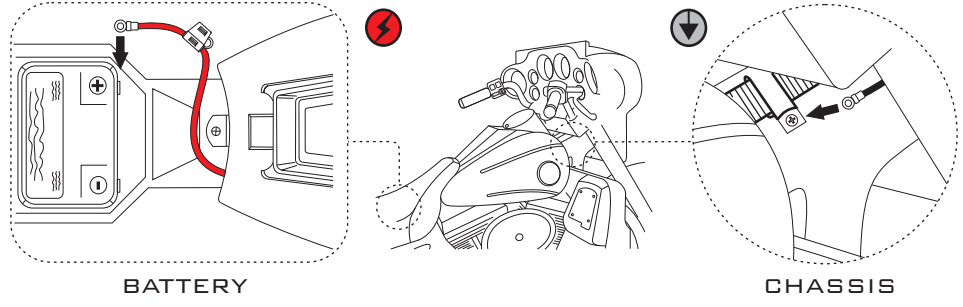
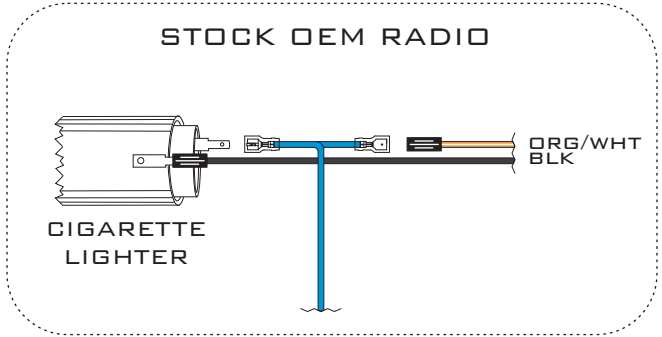
2014 - NEWER WIRE COLORS

FRONT SPEAKER WIRE COLORS









- Front Right + PINK [PK]
- Front Right - PINK/BLACK [PK/BK]
- Front Left + PINK/ORANGE [PK/O]
- Front Left - PINK/GRAY [PK/GY]

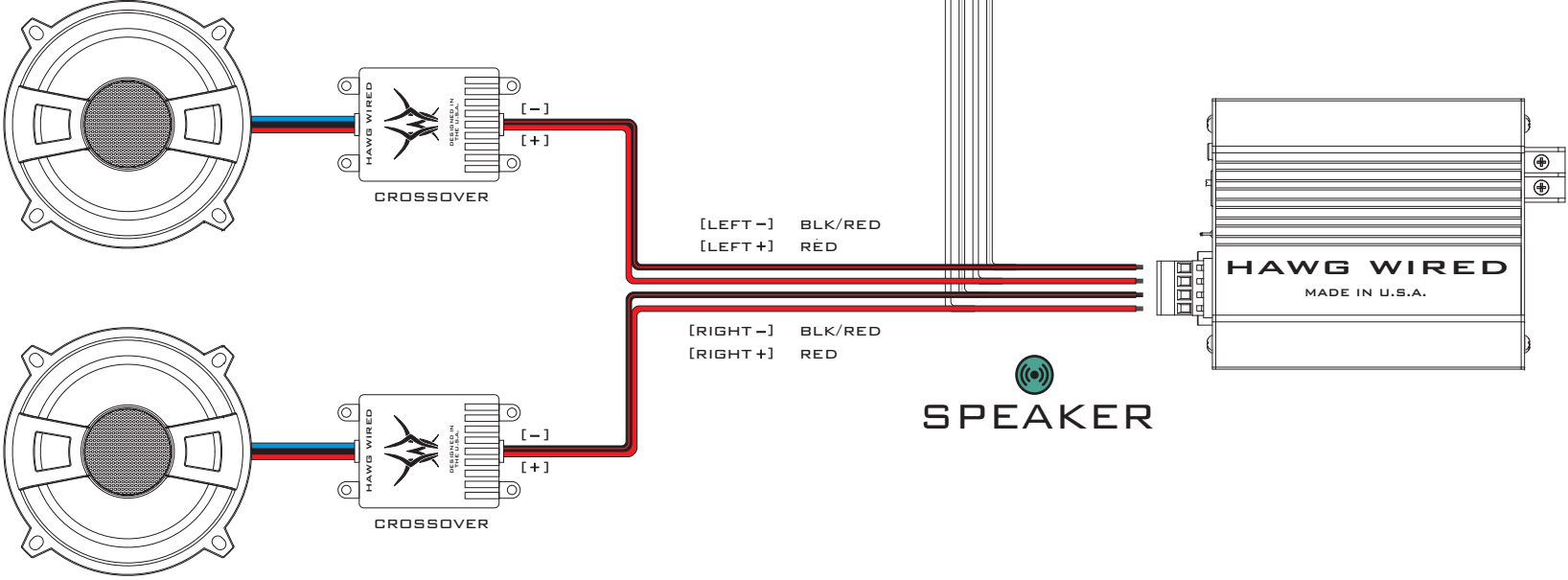
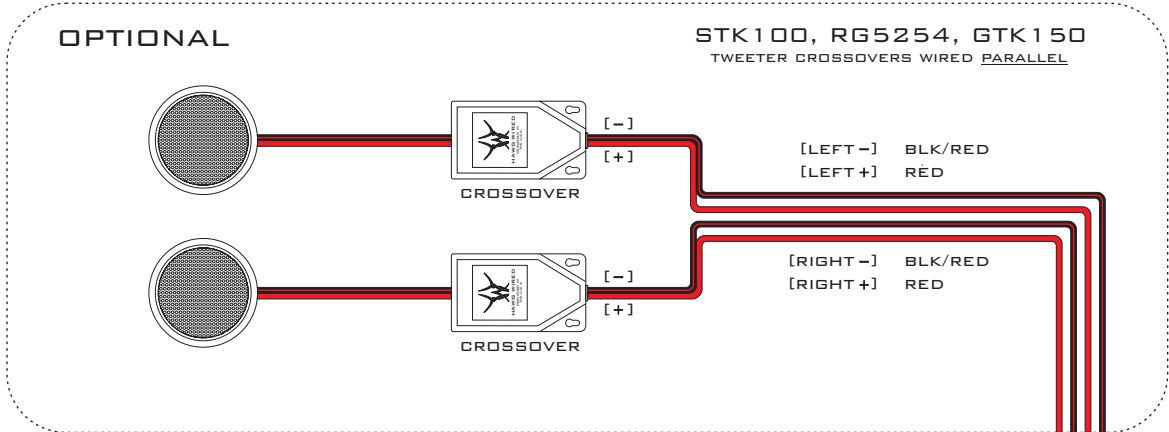


- OR -











CS/RS SERIES - POWER/GROUND WIRING

-  + 12V [BATTERY POSITIVE]
-  RC-LINK PORTS
-  GROUND [CHASSIS]
-  SOURCE INPUT
-  + 12V IGNITION TURN-ON
-  AUX LINE OUT
-  MASTER FUSE
-  SPEAKER OUT



CS/RS SERIES - 2 SPEAKER OUTPUT WIRING

-  + 12V [BATTERY POSITIVE]
-  RC-LINK PORTS
-  GROUND [CHASSIS]
-  SOURCE INPUT
-  + 12V IGNITION TURN-ON
-  AUX LINE OUT
-  MASTER FUSE
-  SPEAKER OUT

Find out more about motorcycle sound systems we have.