



*Quick Detach Saddlebag Brackets*

**KEY CODE NUMBER** \_\_\_\_\_  
(Save this number for future key identification)

**Applications Model SPRT-DCBR** Rev.11/20/15

Honda Spirit VT750DC – 2001-2003, 2005-2007 Used with Hardmount Backrest (Not Provided)

Before you begin, read these instructions and check to be sure all parts are accounted for.

| <b><u>Qty.</u></b> | <b><u>Part Description</u></b>                    |
|--------------------|---|
| 2                  | Easy Brackets (ID number 36, stamped on brackets) |
| 4                  | Docking Post                                      |
| 4                  | 10mm Polished SS Socket Head Bolt                 |
| 8                  | 3/8 x 1 Black Button Head Bolt                    |
| 8                  | 3/8 Nylon Locking Nut                             |
| 8                  | 3/8 Fender Washers                                |
| 2                  | Keys  |

**Installation Instructions**

Note: Helmet lock must be removed from clutch side of fender.

1. After installation of the backrest (not provided) remove the two fender bolts from the RH side of the fender. **Note:** Remove and replace (1) bolt at a time to avoid movement of the fender.
2. Using the longer 10mm polished SS socket head bolt, attach the shorter docking post to the front vacant fender bolt hole. Using the shorter 10mm polished SS socket head bolt, attach the longer docking post to the rear vacant fender bolt hole. Torque to 12 ft. lbs.
3. Repeat steps 1 and 2 on the LH side of the fender.
4. Install the EASY BRACKETS on the docking posts. **Note:** Use the key provided to open the cam lock prior to installation on the docking posts. The key can not be removed until the cam lock is fully engaged under the docking post.
5. Hold the RH saddlebag against the EASY BRACKET. Position the saddlebag as desired noting the clearances from the seat, turn signals and any lower obstructions such as chain guards, axle nuts, and etc. Mark the outer edge of the bracket on the saddlebag. Remove the EASY BRACKET from the motorcycle.
6. Place the bracket on the saddlebag within the outline and drill the 4 holes for mounting. Attach the bracket to the saddlebag using the (4) 3/8 x 1 black button head bolts, (4) 3/8 fender washers and (4) 3/8 Nylon locking nuts (**All 4 mounting points MUST be utilized**). Install the completed RH saddlebag with EASY BRACKETS on the motorcycle. **Note: The cam lock must be fully engaged and the key removed to ensure the EASY BRACKETS are properly installed and ready for use.**
7. Repeat steps 4, 5, and 6 on the LH side of the fender.

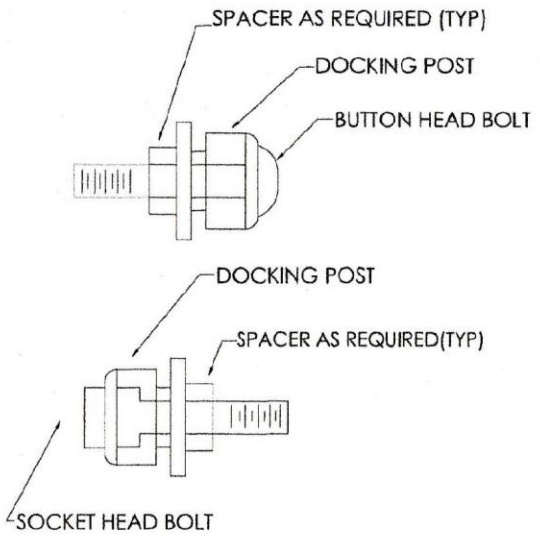
**Notice to Consumer**

**Do NOT exceed 15 lbs. of total weight on the EASY BRACKET saddlebag removal system.**

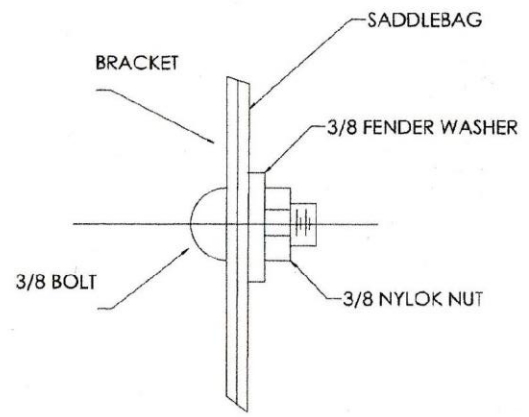
Neither the manufacturer nor the distributor nor retailer of the EASY BRACKETS makes any express warranties of any kind with respect to the EASY BRACKETS. Any implied warranty does not cover defects caused by modification or alterations of the EASY BRACKETS or caused by physical abuse to or misuse of the EASY BRACKETS or its use and/or operation in a manner contrary to the accompanying instructions. Failure to install and/or use the EASY BRACKETS in the manner described by the accompanying instructions shall render all warranties, expressed and/or implied, void and release the manufacturer, distributor and retailer from any and all liability arising from the use of the EASY BRACKETS.

**Do not return product without prior authorization.**

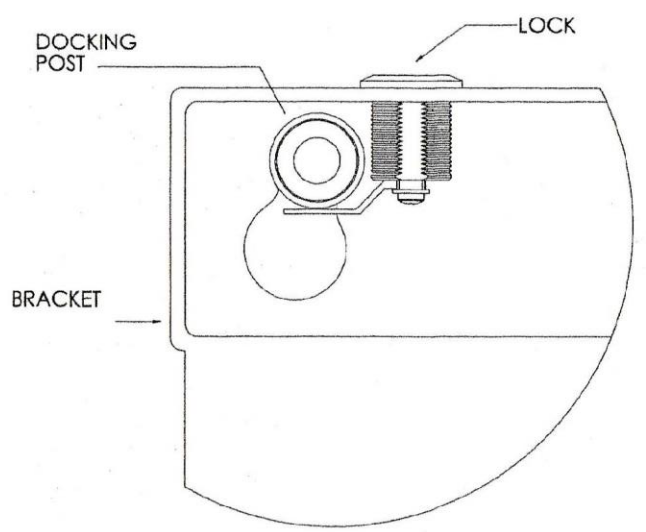
**SEE REVERSE SIDE FOR ILLUSTRATIONS**



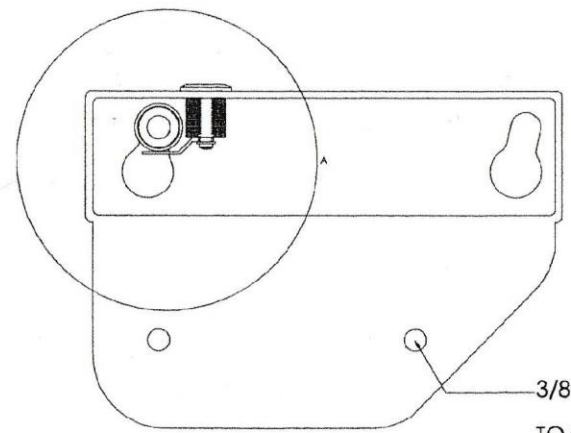
TYP BOLT/DOCKING POST



DETAIL B



DETAIL A



3/8 HOLE (TYP OF 4)

TO MOUNT BRACKET TO SADDLEBAG, ALL 4 BOLTS MUST BE USED. (SEE DETAIL B)

TYPICAL DETAILS