



AB017: Smog Block Off Plates

CBR600F4 (99-06) CBR600RR (03-14)
CBR929RR (00-01) CBR954RR (02-03)
CBR1000RR (04-14) CB1000R (11-14)

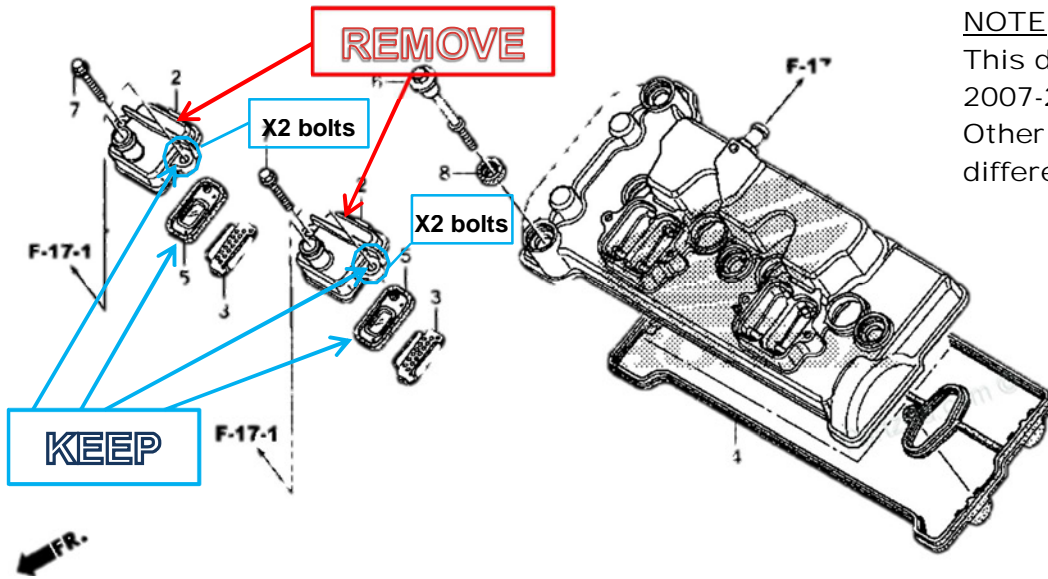
PARTS LIST

- Block Off Plates 2
- Air Box Cap 1

<<<IT IS RECOMMENDED THAT THIS PRODUCT BE INSTALLED BY A QUALIFIED TECHNICIAN >>>

REFER TO YOUR HONDA SERVICE MANUAL FOR ANY QUESTIONS REGARDING GENERAL REMOVAL AND INSTALLATION OF OEM PARTS

- 1) Remove the seat, body panels, tank, and air box.
- 2) Locate and remove the smog port covers and emissions hoses. Keep the reeds and stock bolts for re-installation.



NOTE:
This diagram refers to a 2007-2014 CBR600RR. Other models may be different.

- 3) Re-install the reeds and install the smog block off plates. Use the stock bolts to secure the smog block off plates (**PHOTO 1**). It is recommend applying blue Loctite.
- 4) Install the air box cap on the left side of the air box to cover the outlet. Be sure to secure the cap with a zip tie or safety wire. (**PHOTO 2**)
- 5) Reinstall all parts in reverse order of removal. Refer to your Honda Service Manual for torque specifications.



PHOTO 1



PHOTO 2

The purchaser releases Graves Motorsports, Inc from all liabilities pertaining to the installation and use of purchased parts. Purchaser recognizes that any alteration and/or modifications to the vehicle may increase the risk of injury or accident. **This product is intended for Closed Course Competition Use Only** and may render the vehicle illegal for use on public roads.