

TNH1179 - KNH1179

SPECIFIC ENGINE GUARD

HONDA CRF1100L AFRICA TWIN (2020)

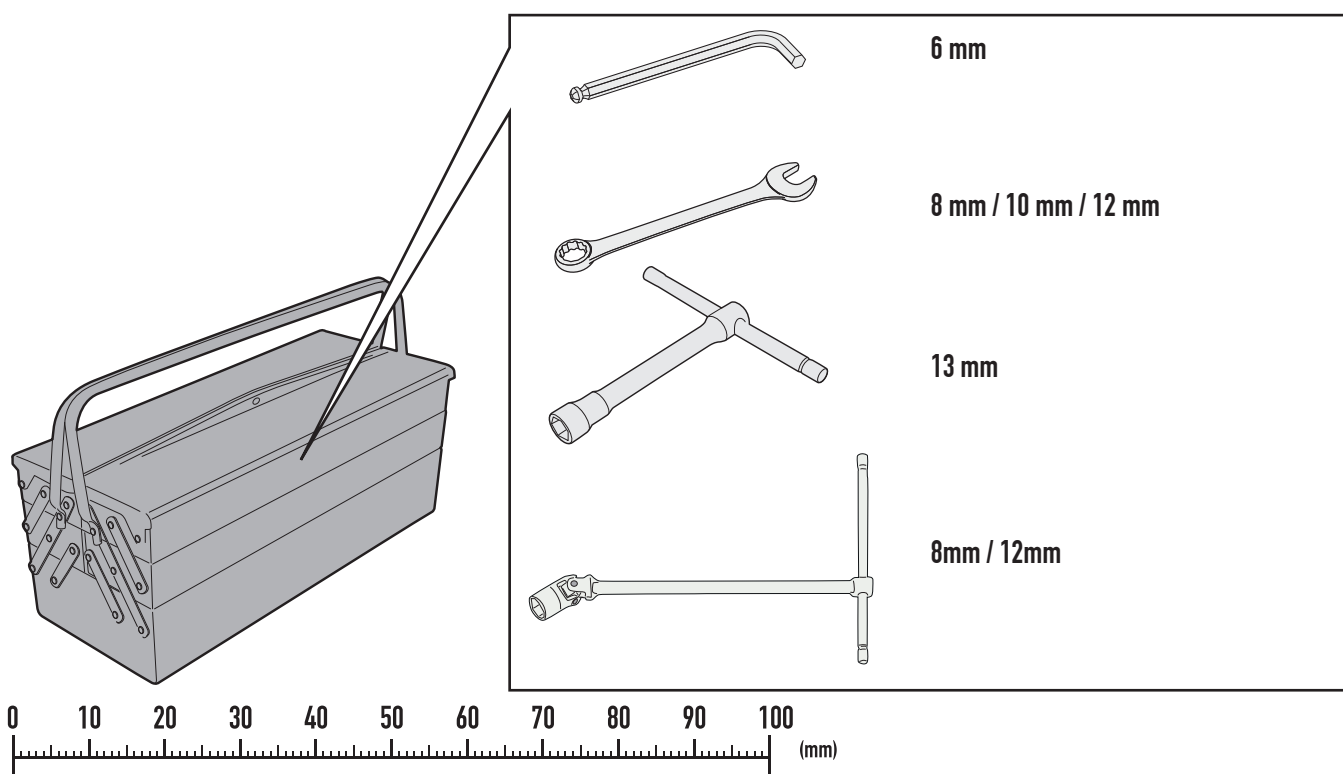
N°	Description	Features	Code	Quantity
1	Engine Guard	-	TNH1179DXV TNH1179SXV	2 (Right; Left)
2	Lateral support	-	GNB2436DXV GNB2436SXV	2 (Right; Left)
3	Support higher	-	GL4387DXV GL4387SXV	2 (Right; Left)
4	Upper strengthening plate	-	GL4370V	2 (Right; Left)
5	Inner plate	-	GL4372V	2
6	Retaining clamp	-	GL3097V	4
7	Retaining clamp	-	GL3098V	4
8	Screw	TECF M8x40	840TECF	5
9	Screw	TCE M8x25	825TCE	4
10	Screw	TBEI M6x40	640TBEI	8
11	Screw	TECF M6x20	620TECF	6
12	Stainless Steel Washer	Foro Ø8mm / Interno Ø14mm Sp.0,3mm	805RONX	10
13	Washer -Rondelle	Foro Ø6mm / Interno Ø18mm Sp.1,5mm	618RONP	2
14	Split washer	Ø8mm	Z1060	4
15	Washer	Ø6mm	6RON	8
16	Spacer	Ø18x9 Foro 8,5 mm	C18L9F8,5T	2
17	Bolt	Dado Autobloccante Flangiato Ribassato M8 (H9,6mm)	8DADIFN	5
18	Bolt	Dado Autobloccante Flangiato M6 (H 9mm)	6DADIAFLN	12

TNH1179 - KNH1179

SPECIFIC ENGINE GUARD

HONDA CRF1100L AFRICA TWIN (2020)

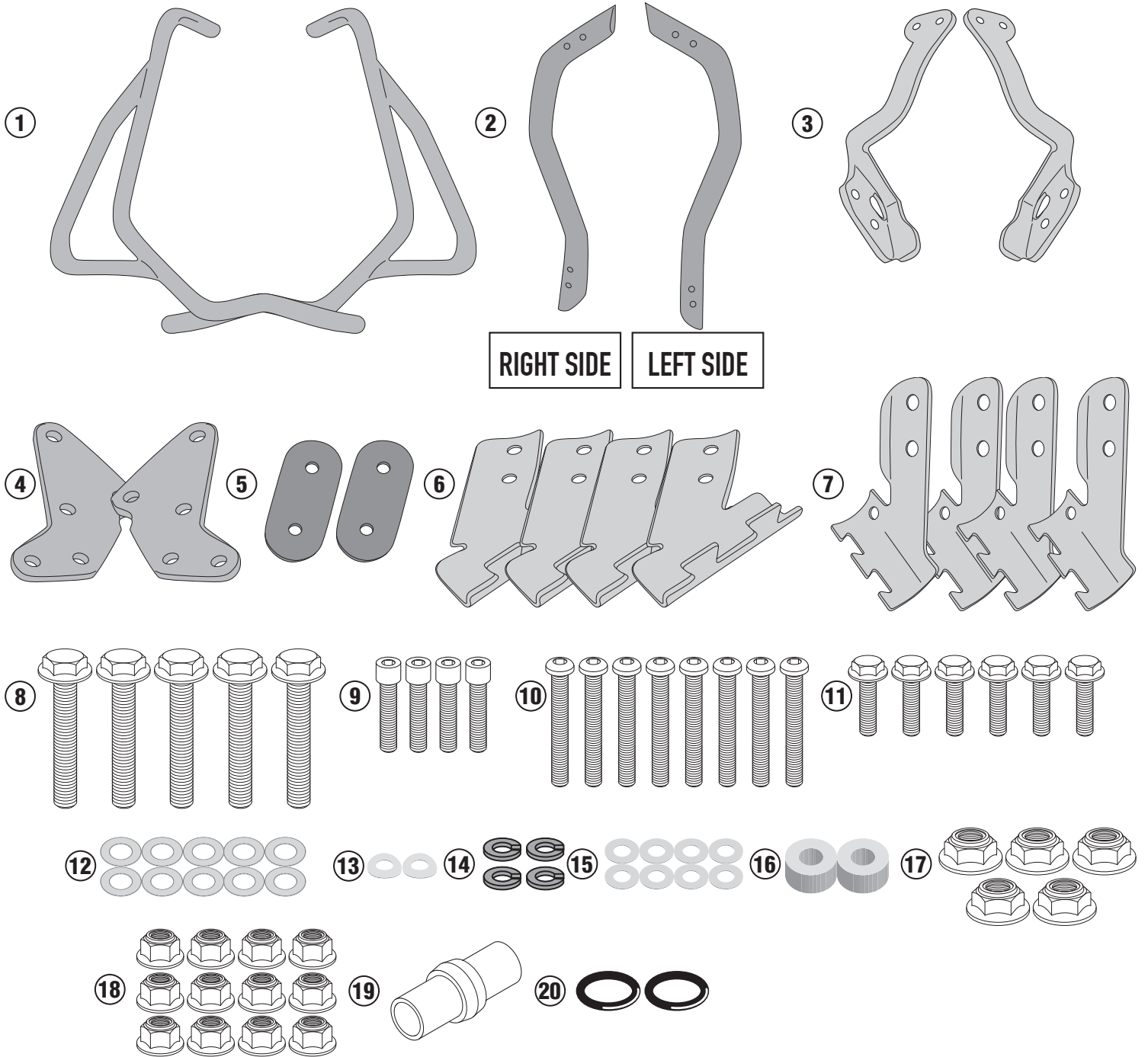
N°	Descrizione	Caratteristiche	Codice	Quantità
19	NIPPLES	-	V906N	1
20	O-RING	-	Z2161	2
Components Included In The TN1178				
21		-	-	-



TNH1179 - KNH1179

SPECIFIC ENGINE GUARD

HONDA CRF1100L AFRICA TWIN (2020)

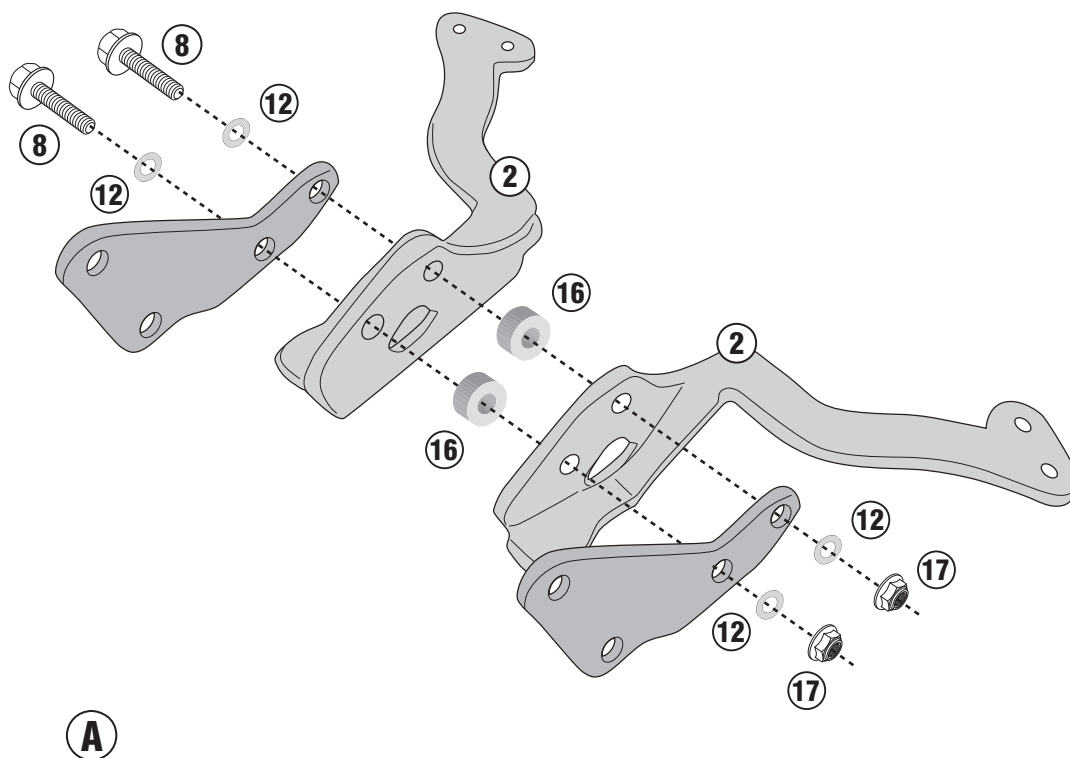
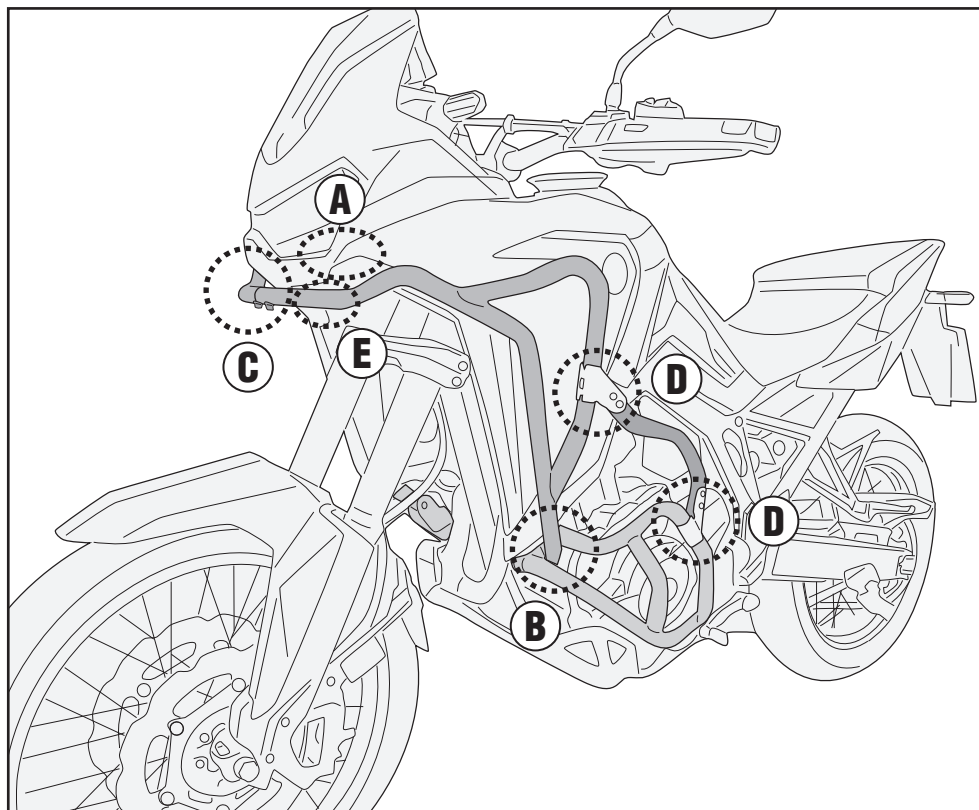


- We recommend fitting by a qualified mechanic

TNH1179 - KNH1179

SPECIFIC ENGINE GUARD

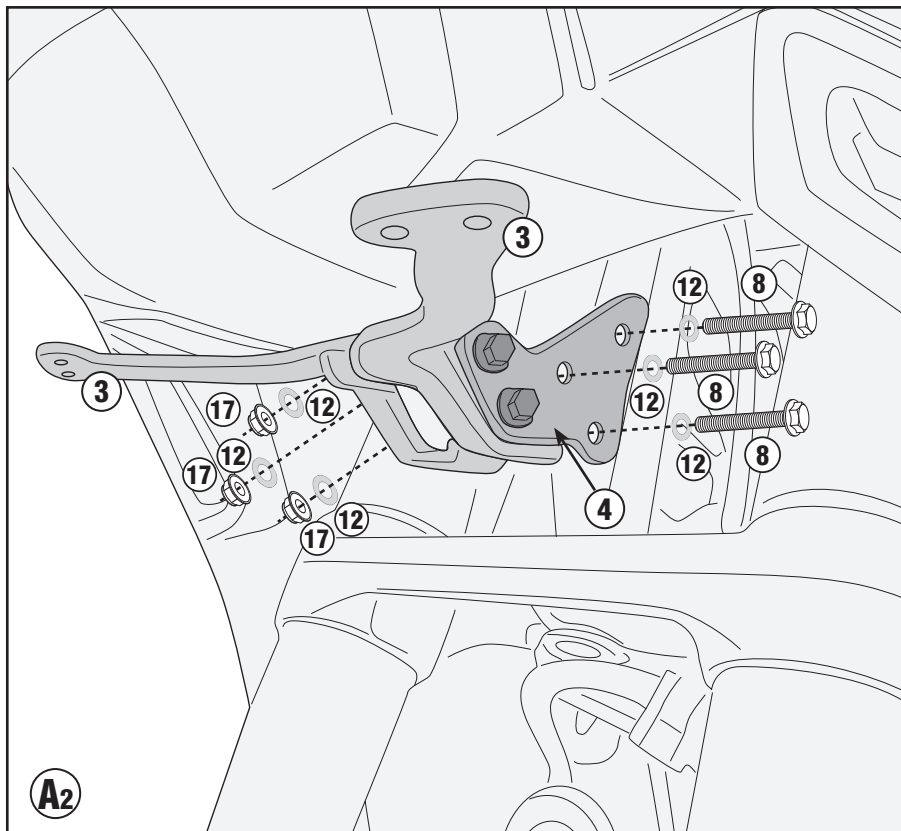
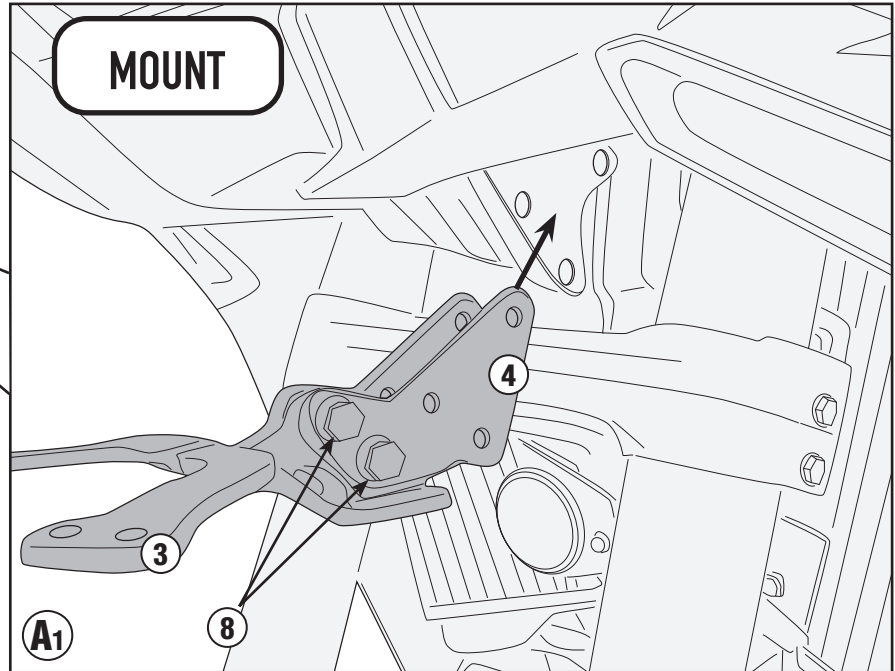
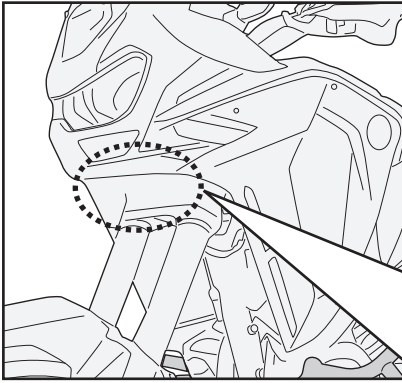
HONDA CRF1100L AFRICA TWIN (2020)



TNH1179 - KNH1179

SPECIFIC ENGINE GUARD

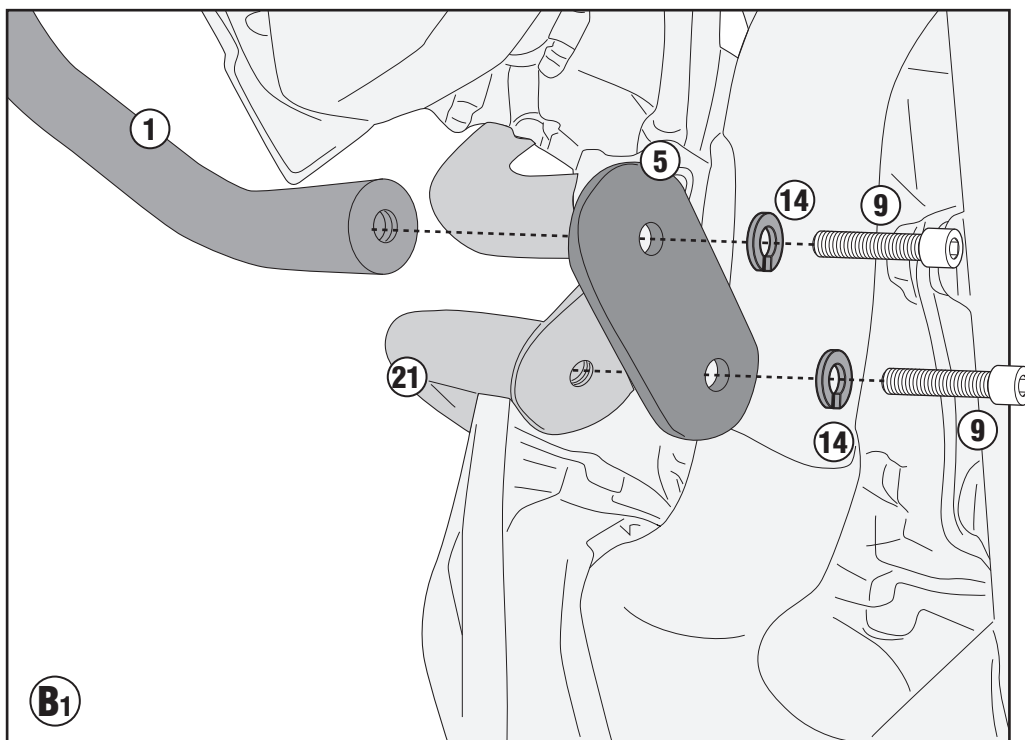
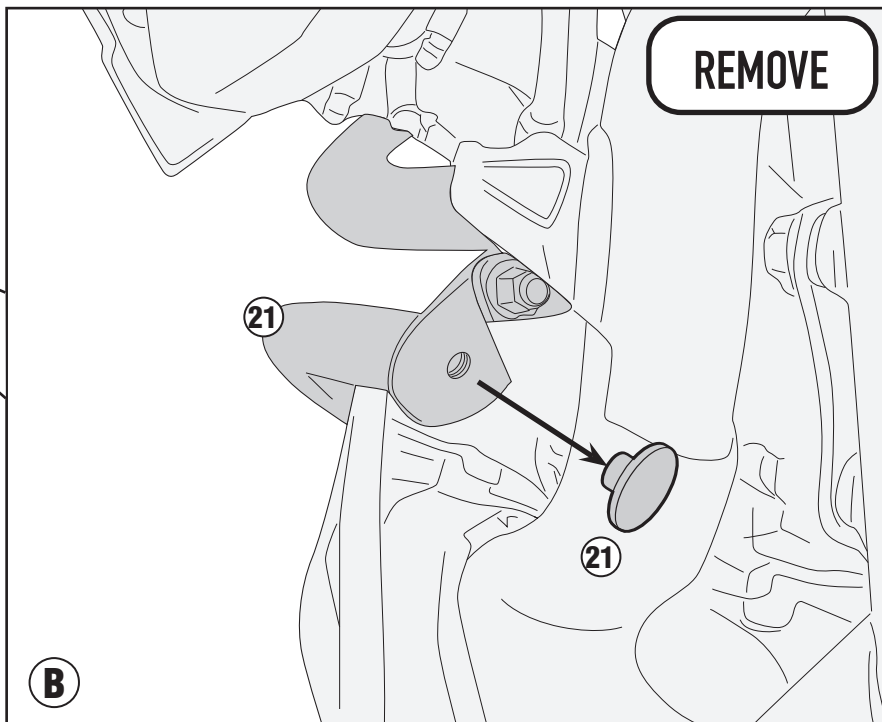
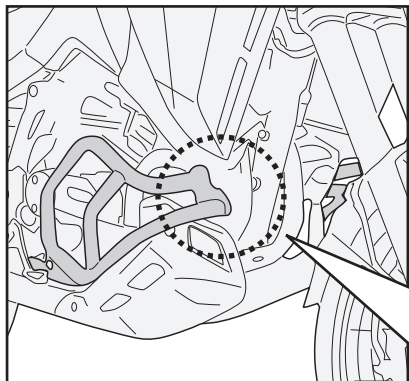
HONDA CRF1100L AFRICA TWIN (2020)



TNH1179 - KNH1179

SPECIFIC ENGINE GUARD

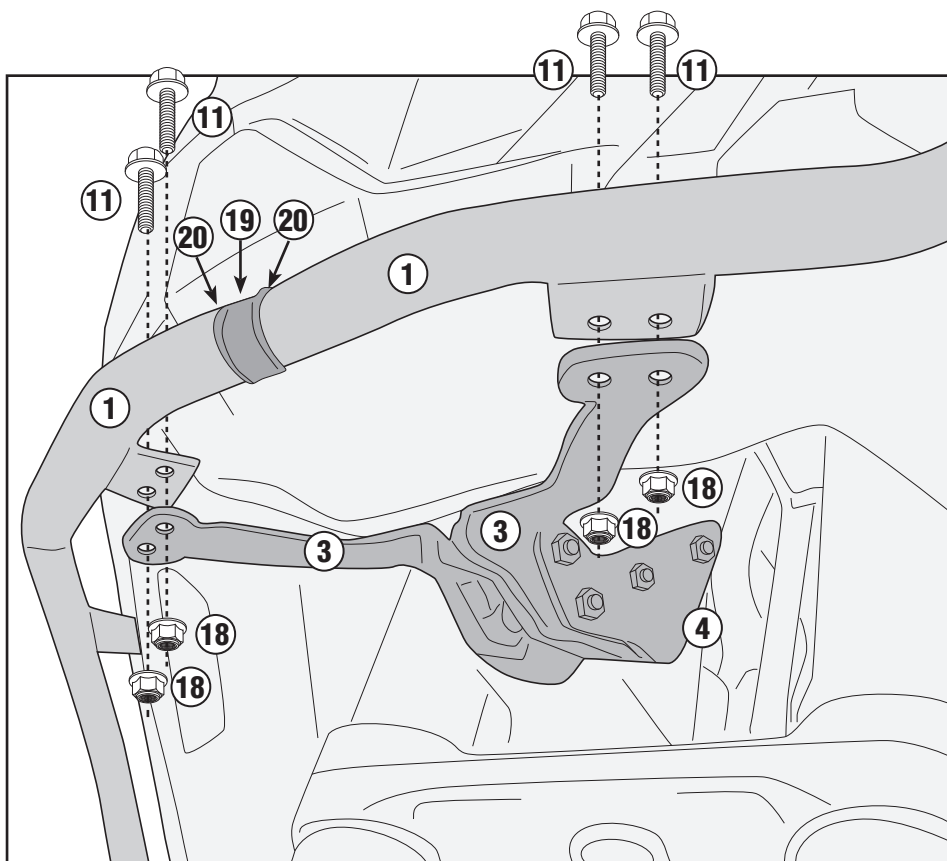
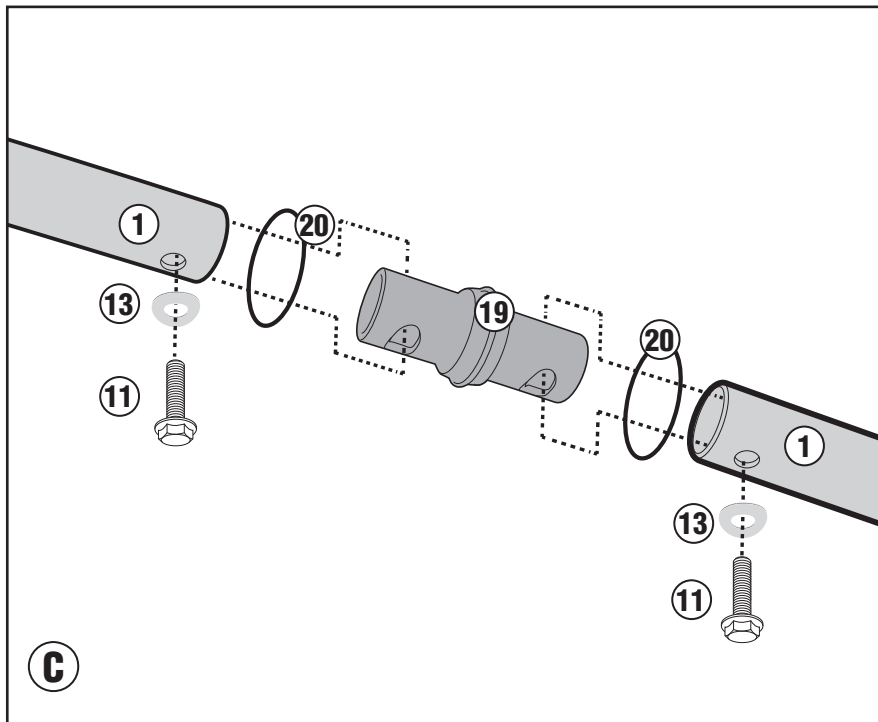
HONDA CRF1100L AFRICA TWIN (2020)



TNH1179 - KNH1179

SPECIFIC ENGINE GUARD

HONDA CRF1100L AFRICA TWIN (2020)



TNH1179 - KNH1179

SPECIFIC ENGINE GUARD

HONDA CRF1100L AFRICA TWIN (2020)

