

TNH1171 - KNH1171

SPECIFIC ENGINE GUARD

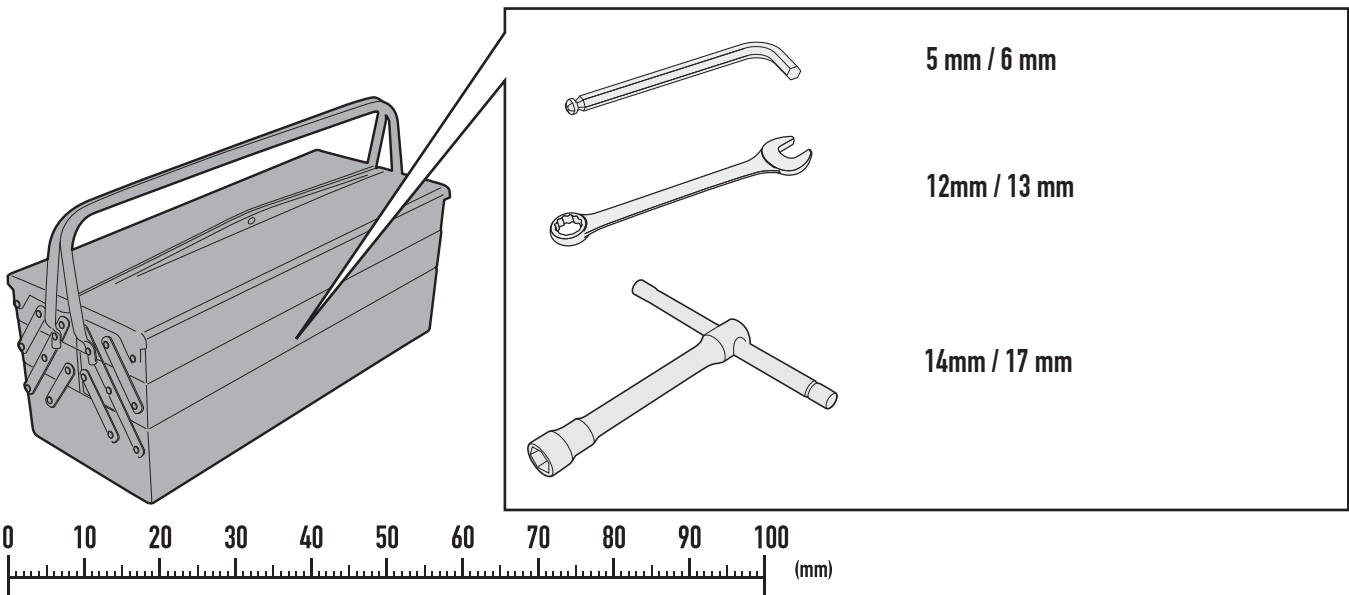
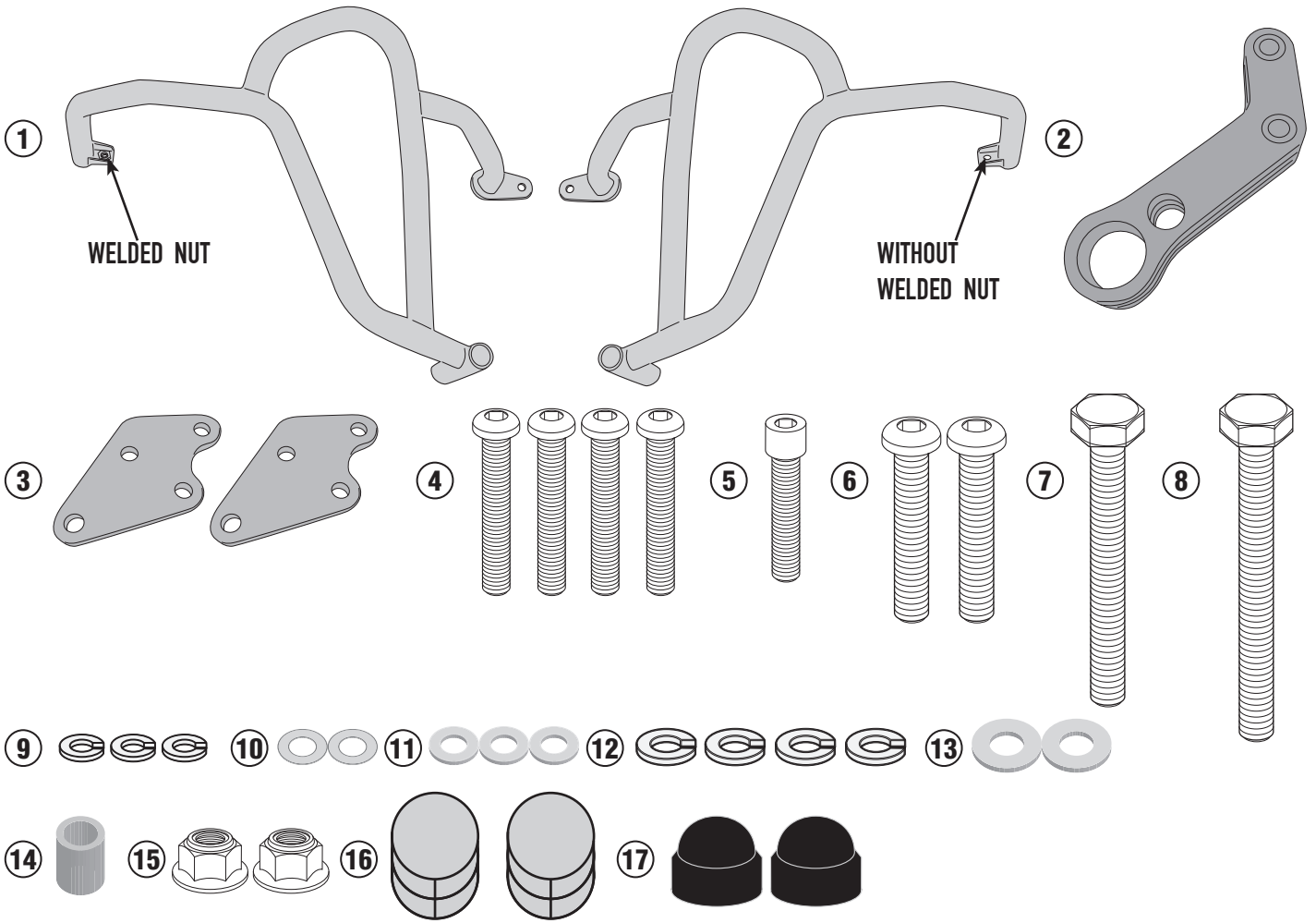
HONDA CB 500 X (2019)

N°	Description	Features	Code	Quantity
1	Engine Guard	-	TNH1171DXV TNH1171SXV	2 (Right; Left)
2	Inner support	-	GNB2284V	1
3	Support plate	-	GL4169V	2
4	Screw	TBEI M8x45	845TBEI	4
5	Screw	TCEI M8x35	835TCEI	1
6	Screw	TBEIS M10x50	1050TBEIS	2
7	Screw	TES M10x80	1080TES	1
8	Screw	TES M10x90	1090TES	1
9	Split washer	Ø8	Z1060	3
10	Stainless Steel Washer	Foro Ø8/Esterno 14mm Sp.0,3	805RONX	2
11	Washer	Foro Ø8/Esterno 14mm	814RON	3
12	Stainless Steel Washer	Ø10	10RONSX	4
13	Washer	Ø10	10RON	2
14	Spacer	Ø14x18 Foro 10mm	C14L18F10FET	1
15	Bolt	Dado Autobloccante Flangiato M8	8DADIFN	2
16	Cap	-	25TAP12	2
17	Screw Cap	-	17COP	2
18	Original Parts	-	-	-
19	Components Included In The TNH1171	-	-	-

TNH1171 - KNH1171

SPECIFIC ENGINE GUARD

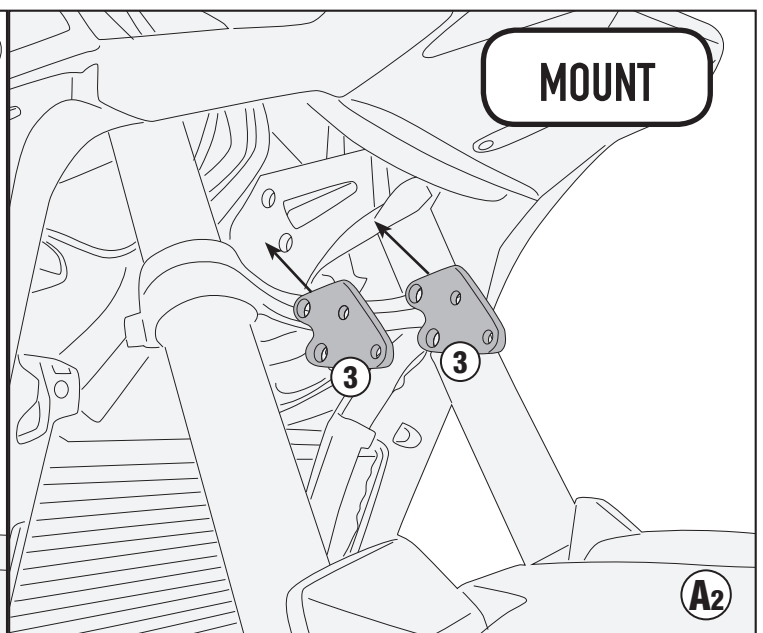
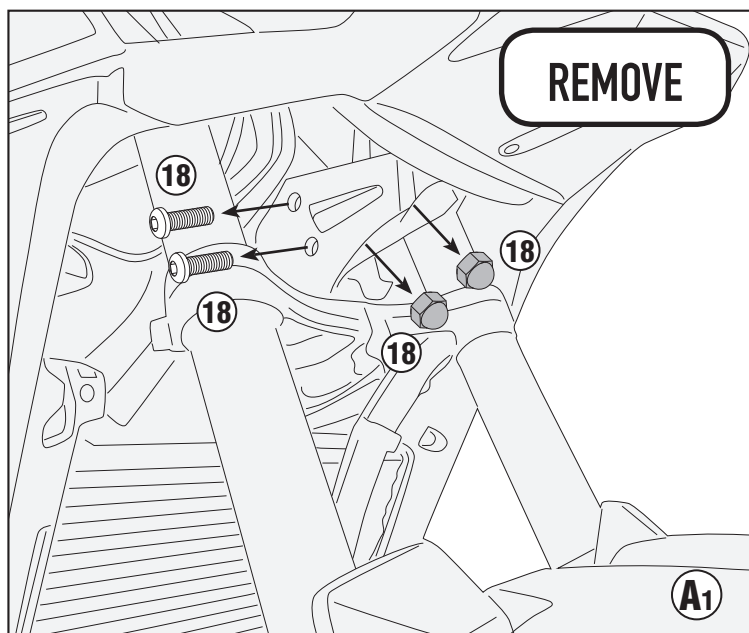
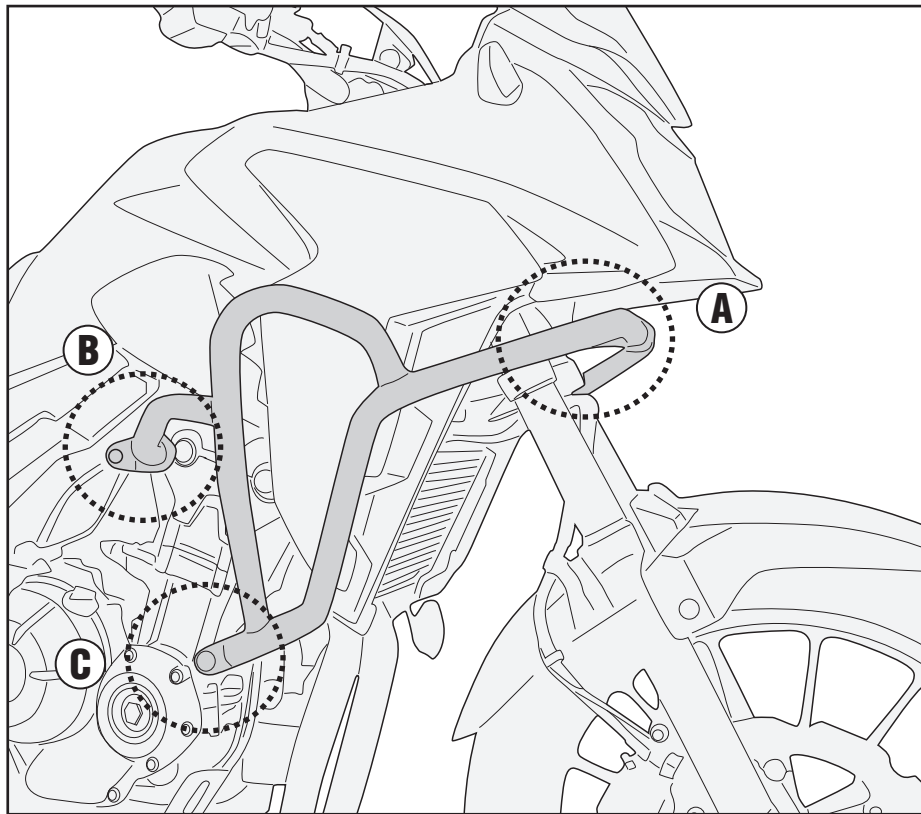
HONDA CB 500 X (2019)



TNH1171 - KNH1171

SPECIFIC ENGINE GUARD

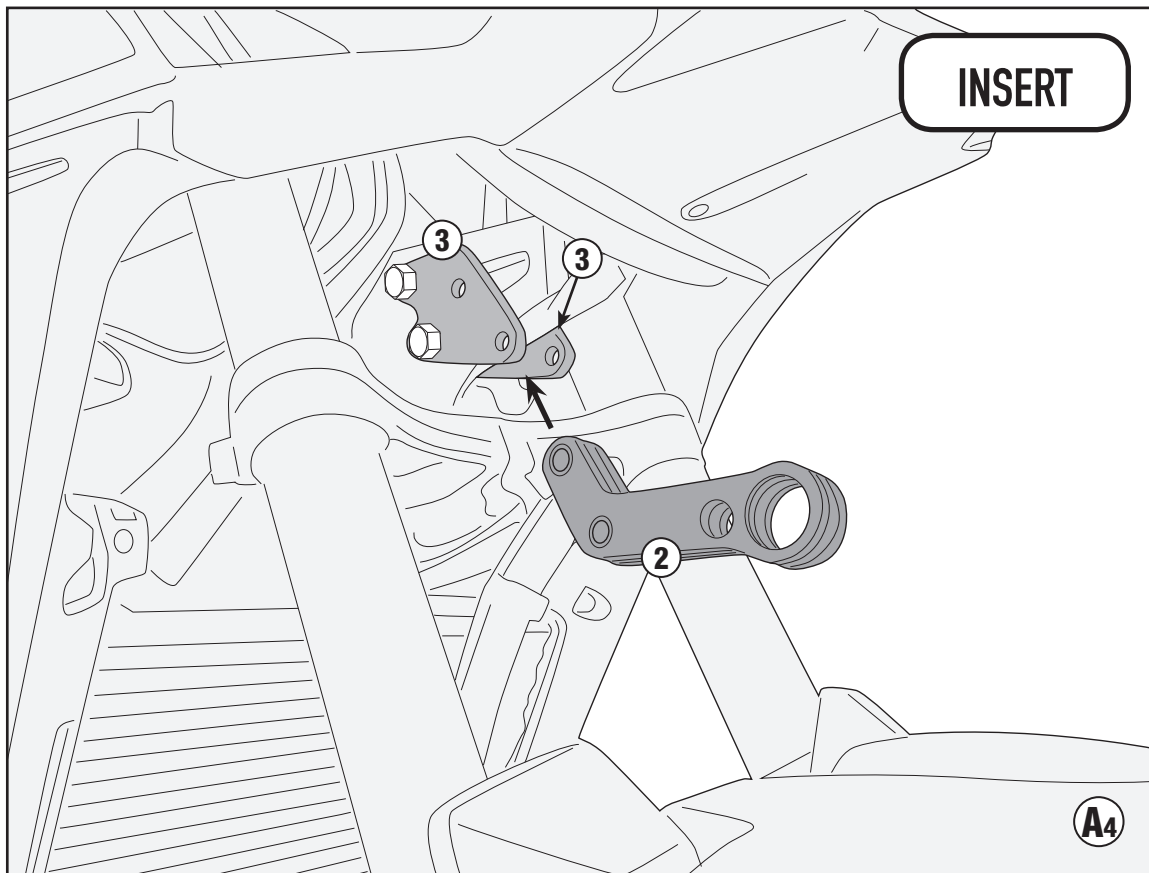
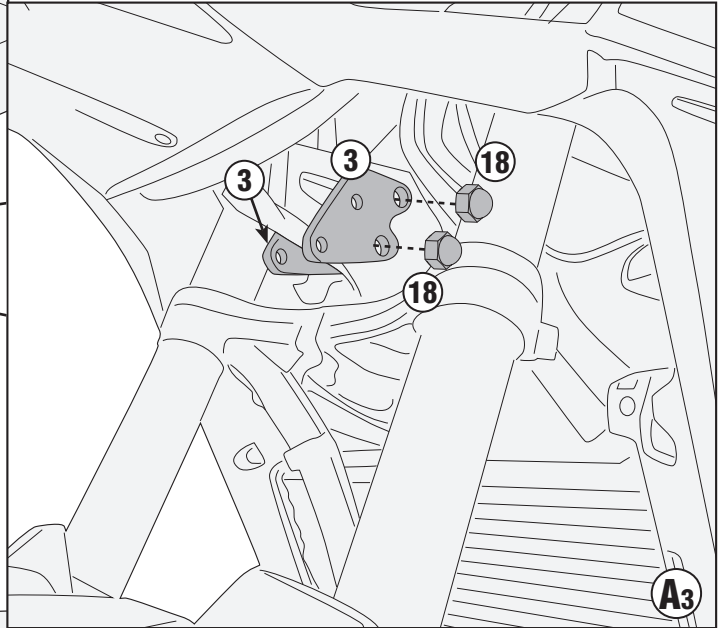
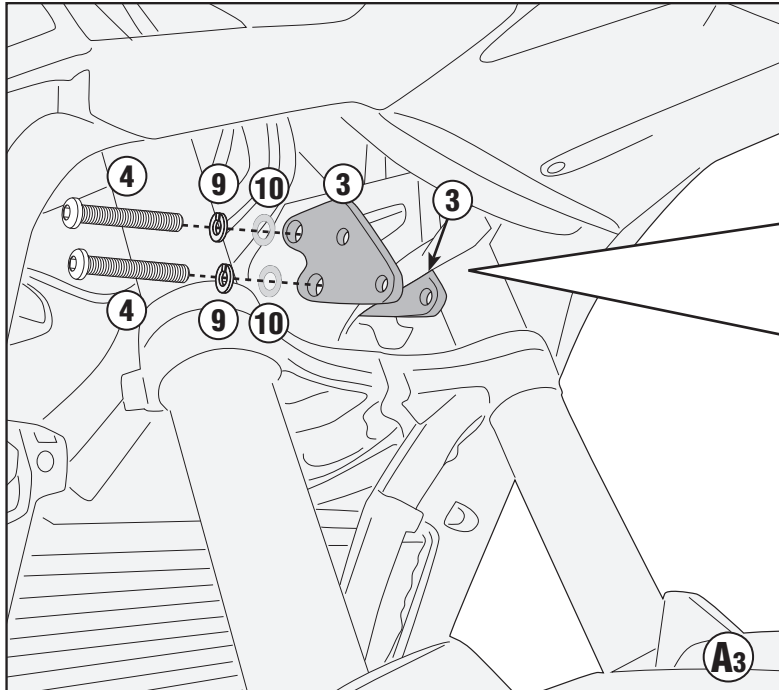
HONDA CB 500 X (2019)



TNH1171 - KNH1171

SPECIFIC ENGINE GUARD

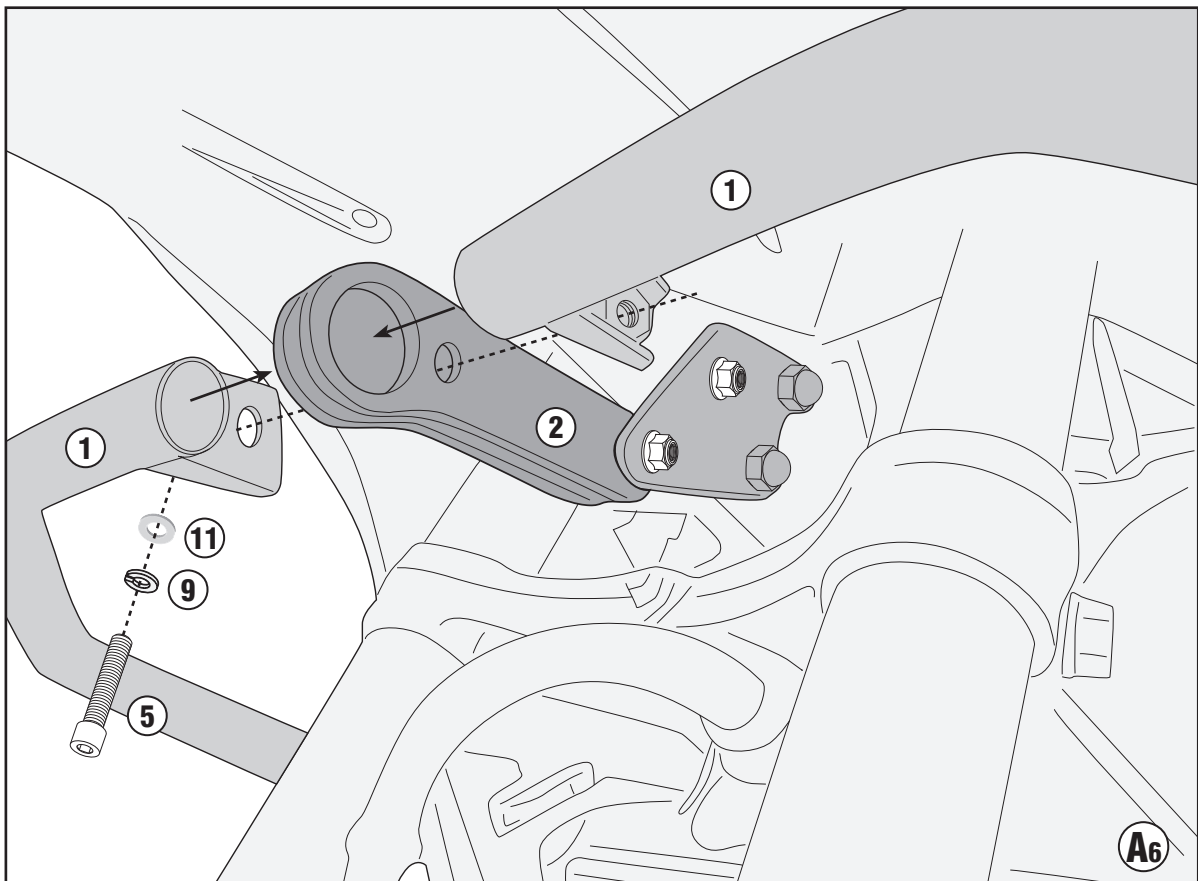
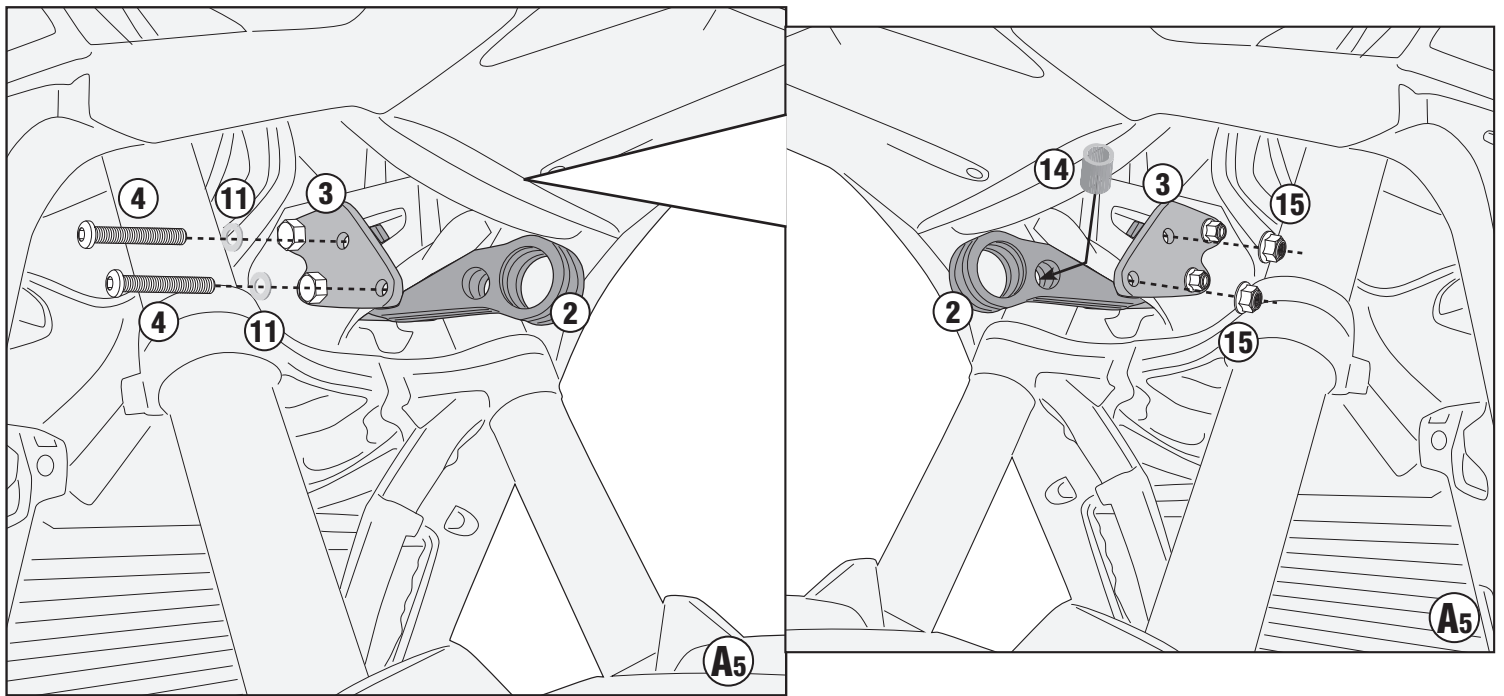
HONDA CB 500 X (2019)



TNH1171 - KNH1171

SPECIFIC ENGINE GUARD

HONDA CB 500 X (2019)

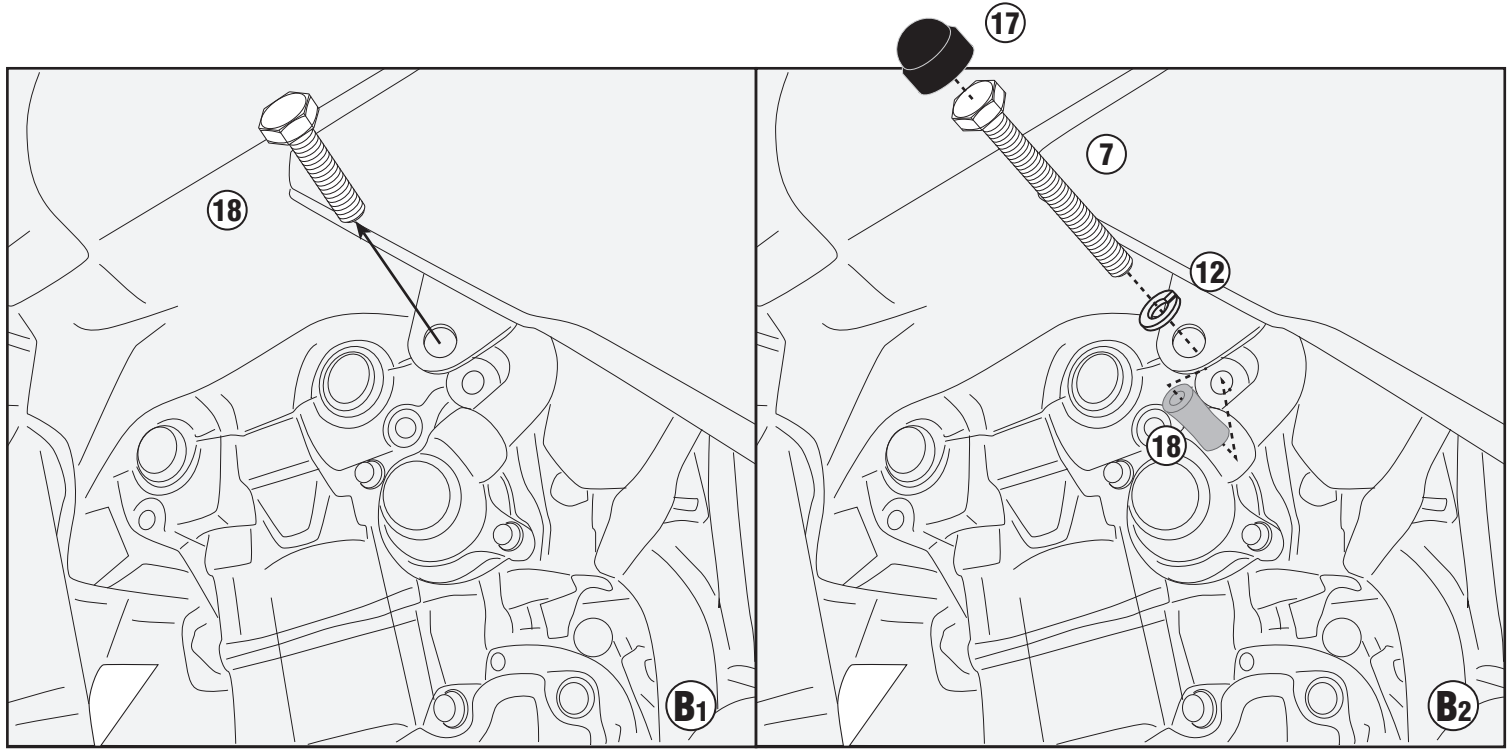


TNH1171 - KNH1171

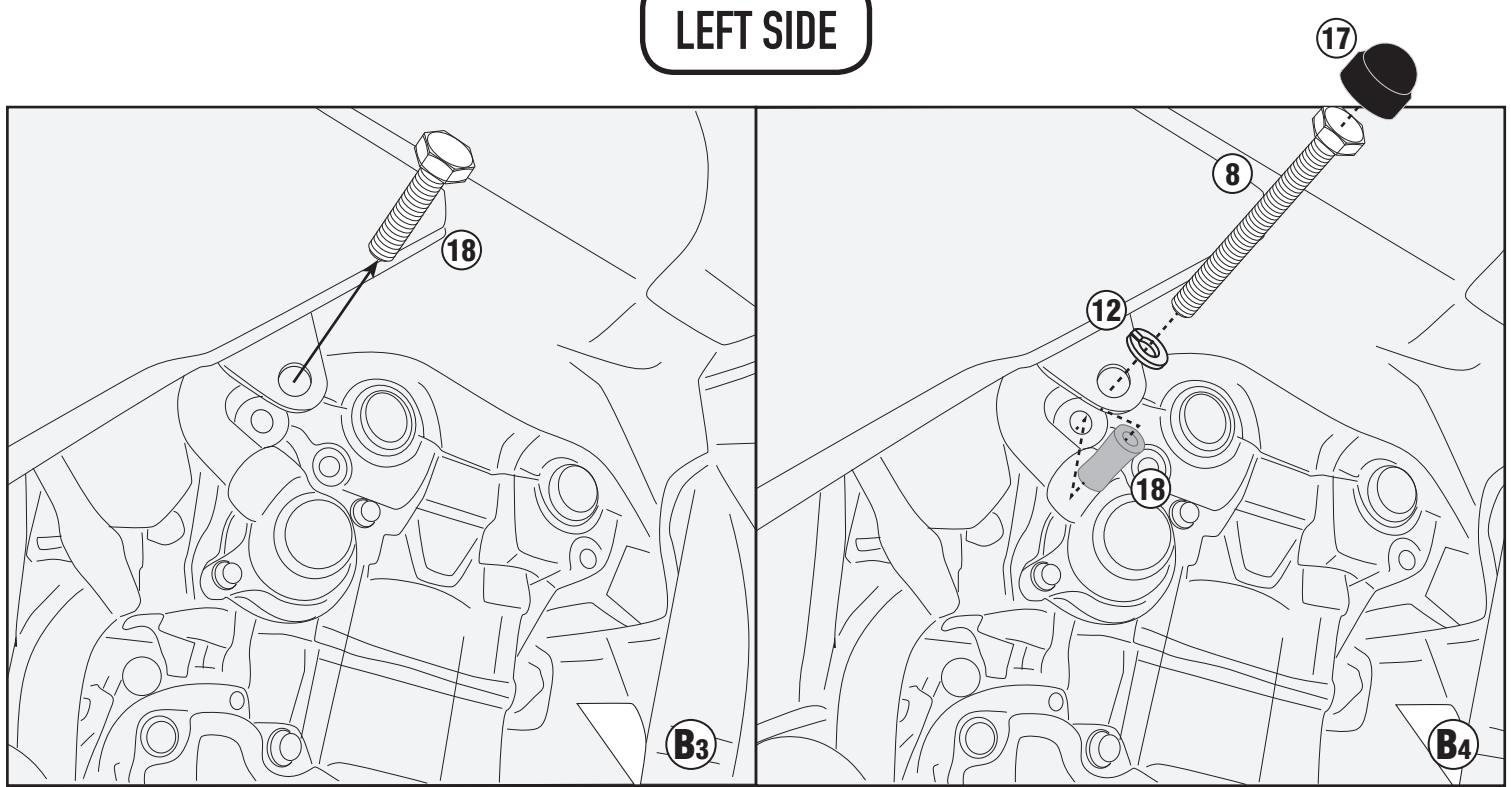
SPECIFIC ENGINE GUARD

HONDA CB 500 X (2019)

RIGHT SIDE



LEFT SIDE



TNH1171 - KNH1171

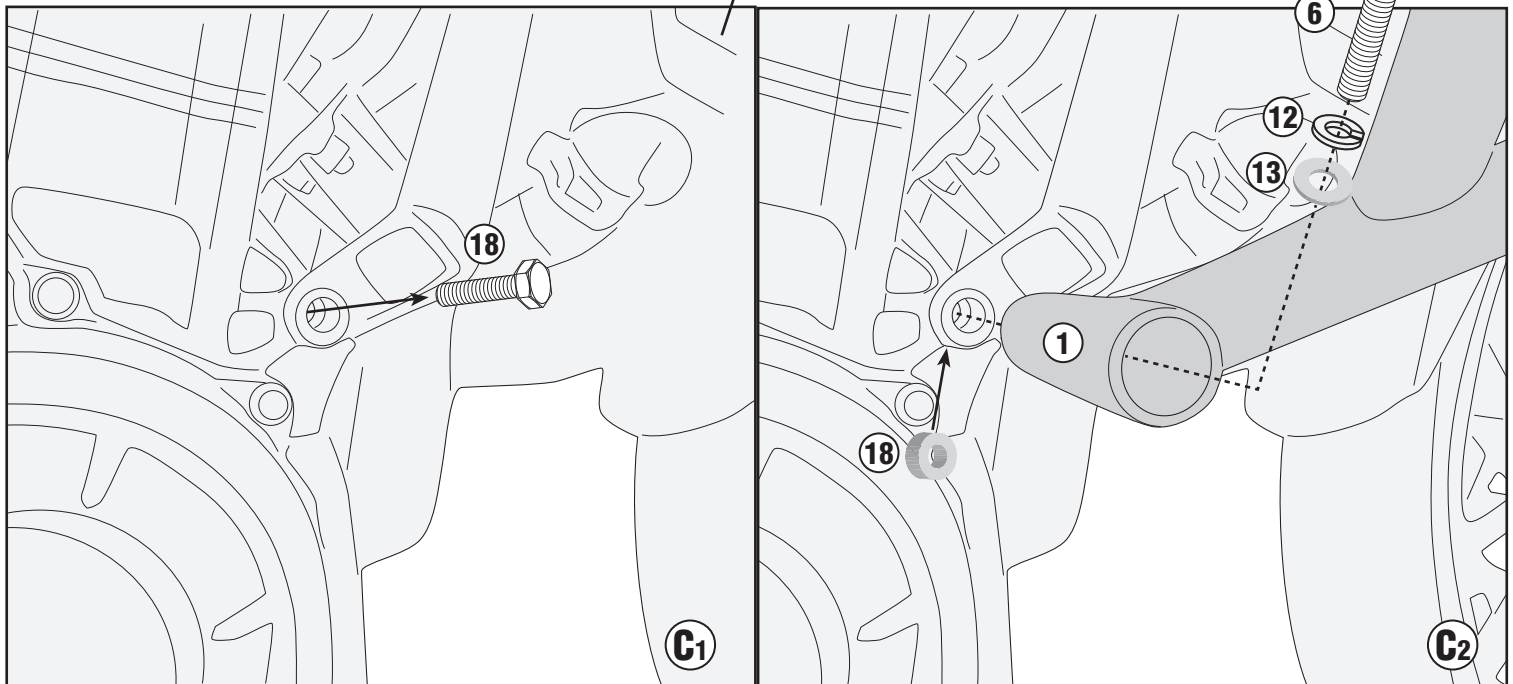
SPECIFIC ENGINE GUARD

HONDA CB 500 X (2019)

ONLY TNH1171

RIGHT SIDE

LEFT SIDE



TNH1171+TN1171

