






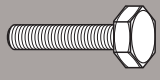
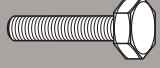
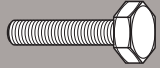


TN6409 - KN6409

SPECIFIC ENGINE GUARD

TRIUMPH TIGER 800/800XC/800XR (2011 - 2016)

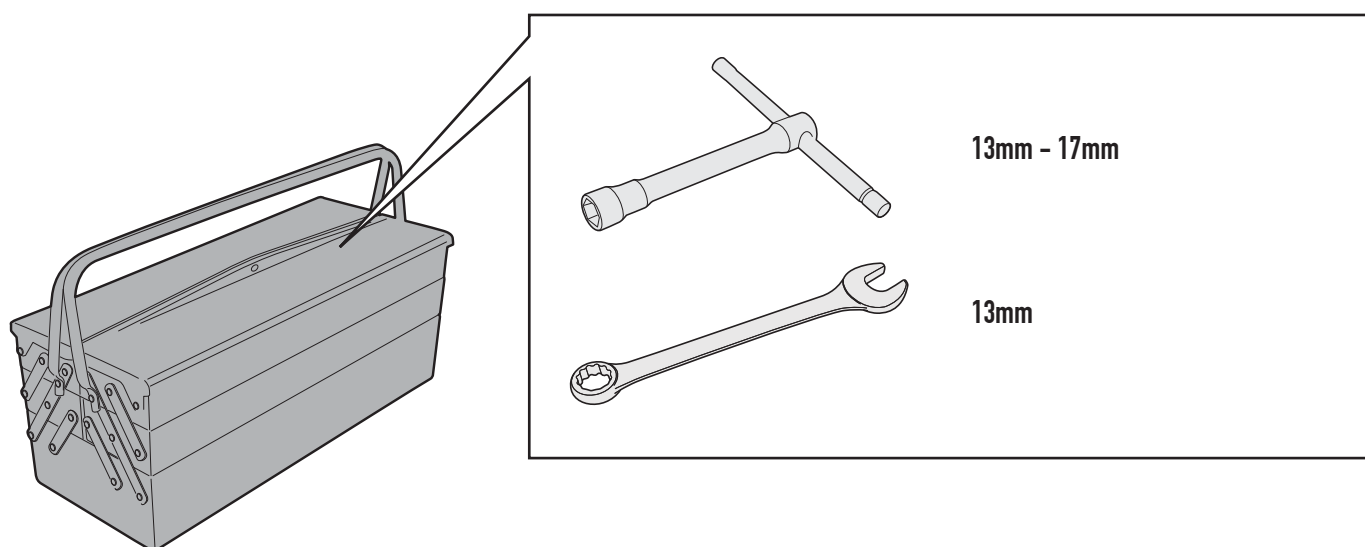
N°	Description	Features	Code	Quantity	
1	Engine Guard	-	-	2 (Dx;Sx)	
2	Support	Ø25x2 Foro 10,5mm	GL2236	1	
3	Support	Sp. 5mm	GL2331	1	
4	Support	Sp. 5mm	GL2328	1	
5	Bridge	-	-	1	
6	Screw	TEF M8x20	820TEF	2	
7	Screw	TEF M8x25	825TEF	2	
8	Screw	TE M10x60 passo 1.25	1060TES	1	
9	Screw	TE M10x70 passo 1.25	1070TES	1	
10	Screw	TE M10x100 Passo 1.25	10100TES	1	

TN6409 - KN6409

SPECIFIC ENGINE GUARD

TRIUMPH TIGER 800/800XC/800XR (2011 - 2016)

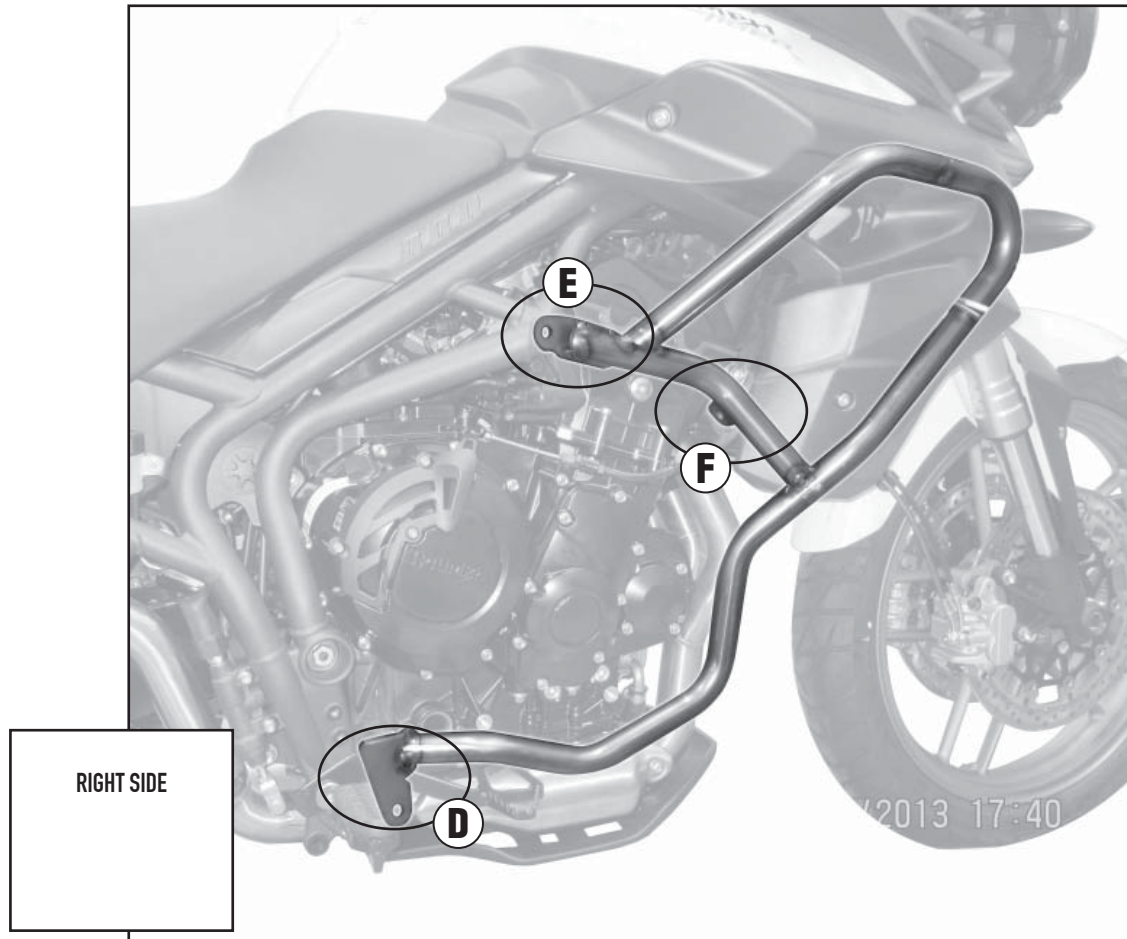
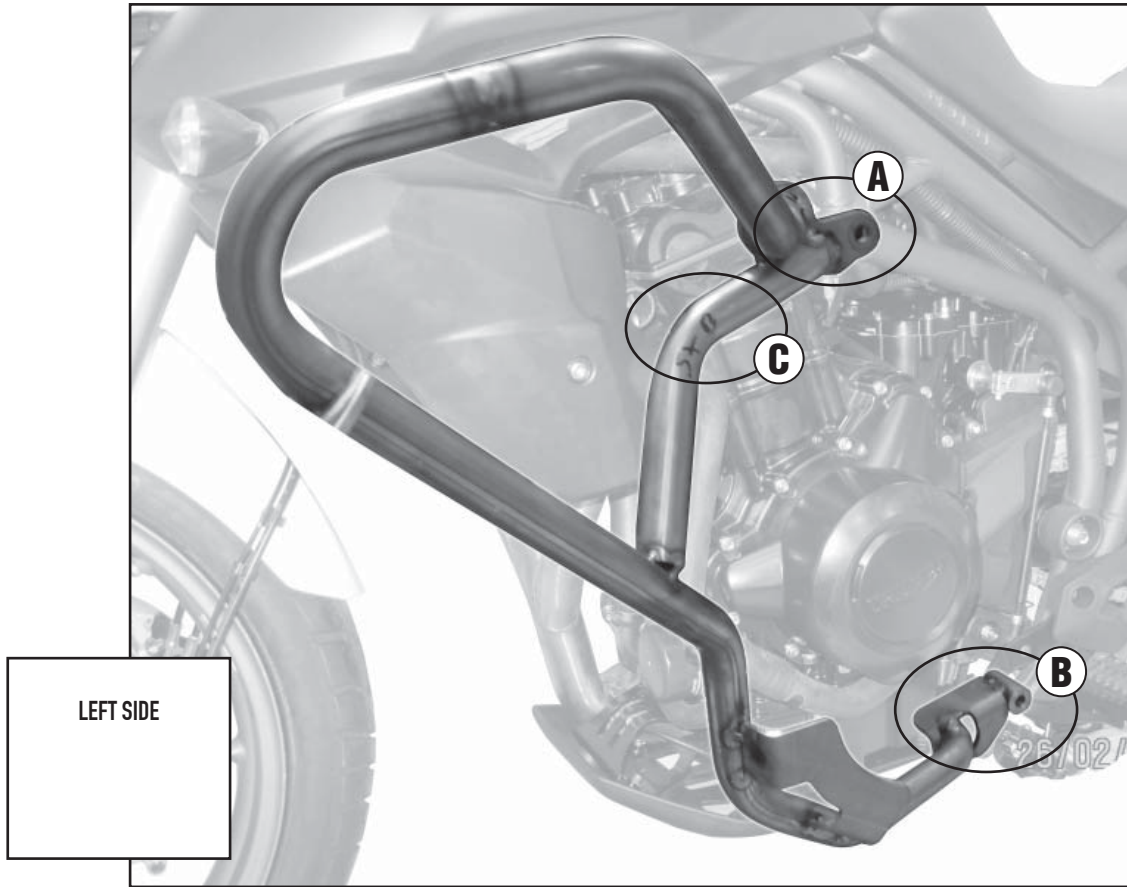
N°	Description	Features	Code	Quantity	
11	Spacer	Tubo 18x2 H.20mm	-	1	
12	Spacer	Tubo 18x2 H.36mm	-	1	
13	Spacer	Tubo 18x2 H.30mm	-	1	
14	Washer	Ø10	10RON	3	
15	Bolt	Auto Bloccante Flangiato M8	8DADIAFLN	4	
16	Original parts	-	-	-	-



TN6409 - KN6409

SPECIFIC ENGINE GUARD

TRIUMPH TIGER 800/800XC/800XR (2011 - 2016)

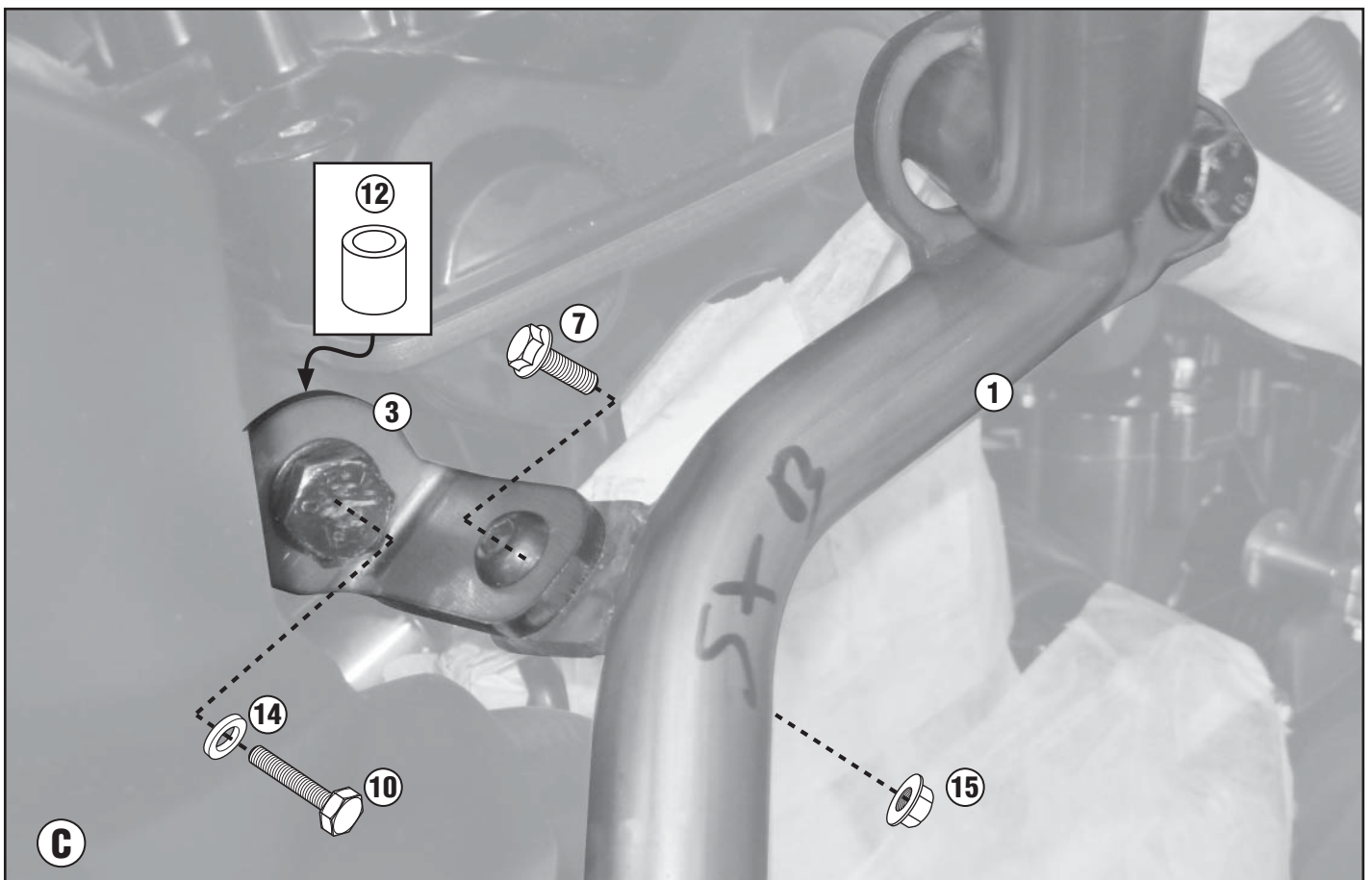
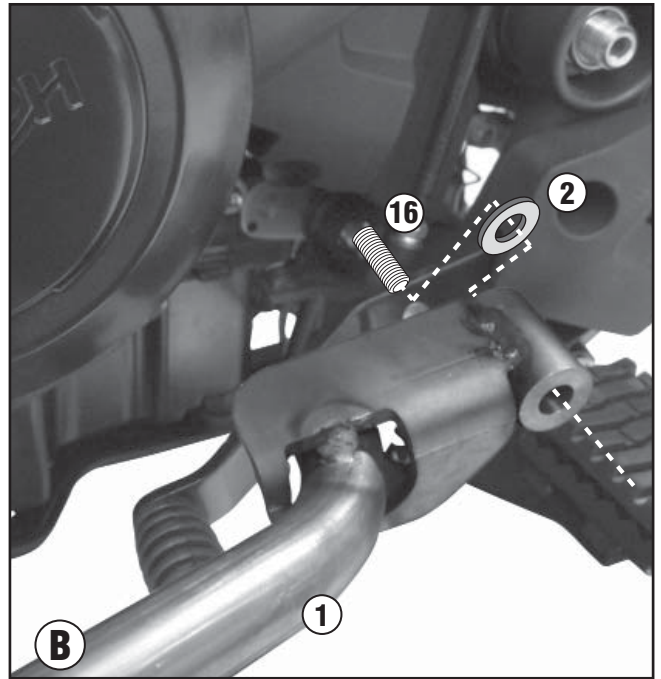
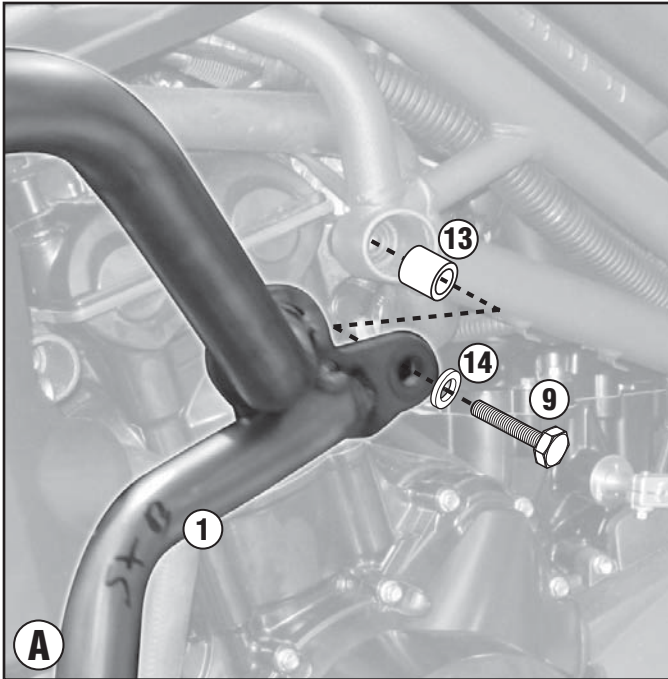


TN6409 - KN6409

SPECIFIC ENGINE GUARD

TRIUMPH TIGER 800/800XC/800XR (2011 - 2016)

LEFT SIDE

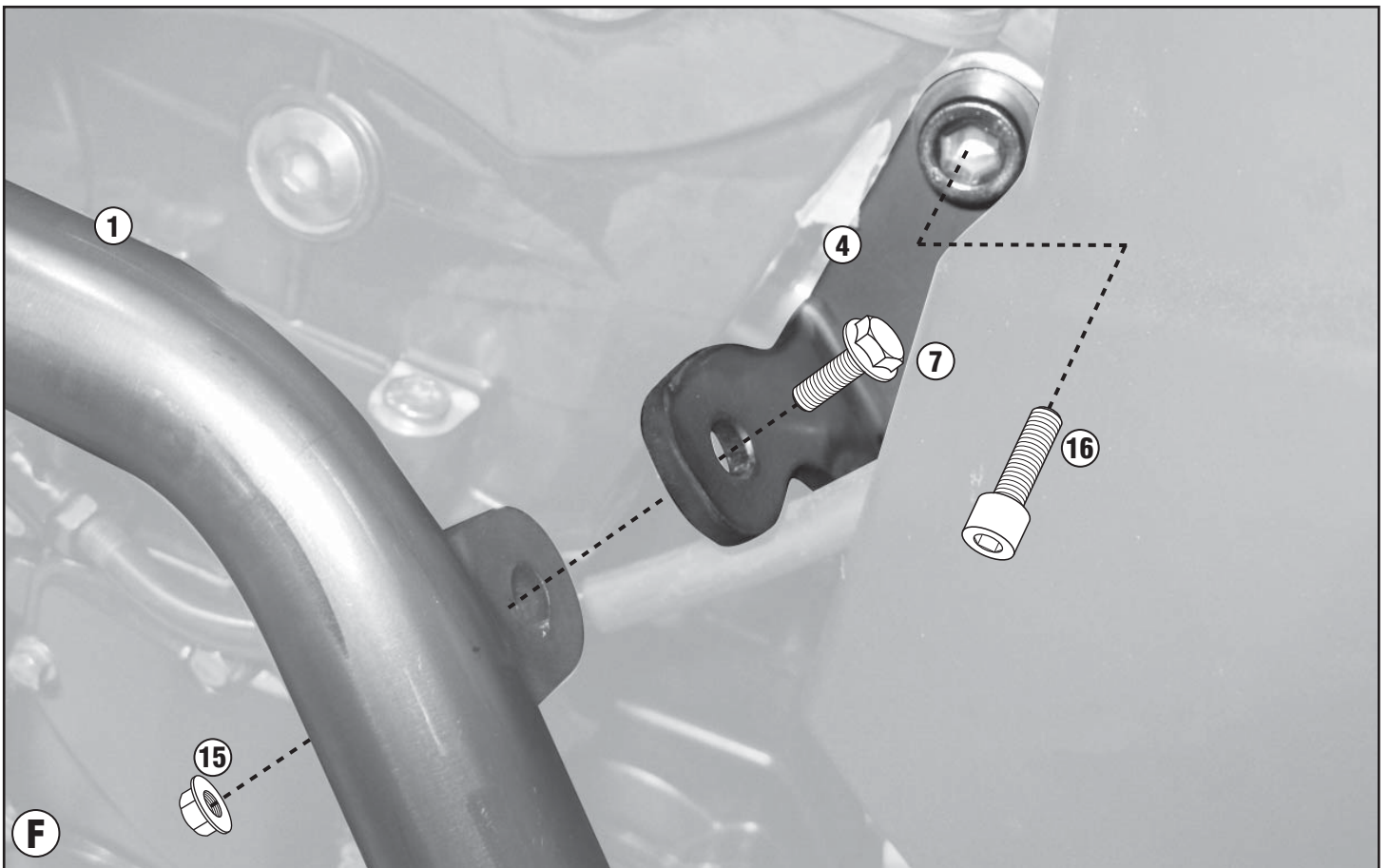
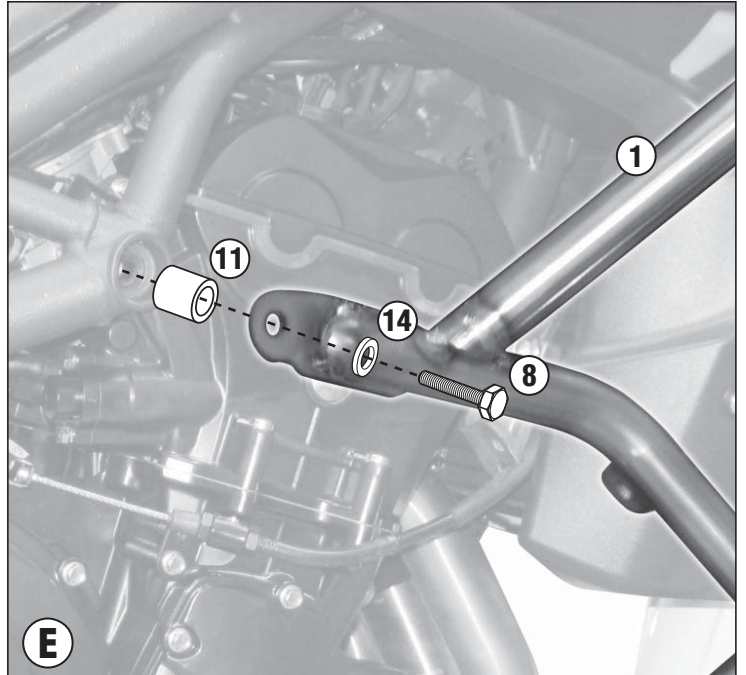
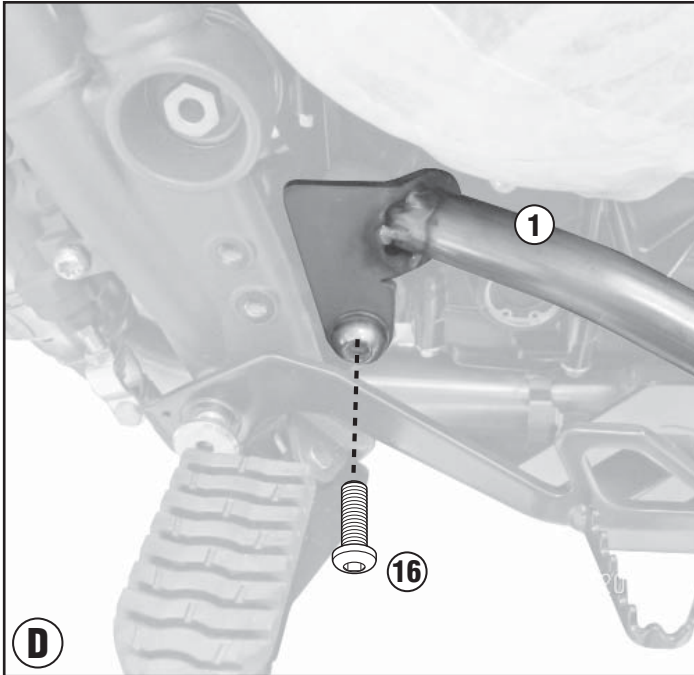


TN6409 - KN6409

SPECIFIC ENGINE GUARD

TRIUMPH TIGER 800/800XC/800XR (2011 - 2016)

RIGHT SIDE



TN6409 - KN6409

SPECIFIC ENGINE GUARD

TRIUMPH TIGER 800/800XC/800XR (2011 - 2016)

