

TN5126 - KN5126

SPECIFIC ENGINE GUARD

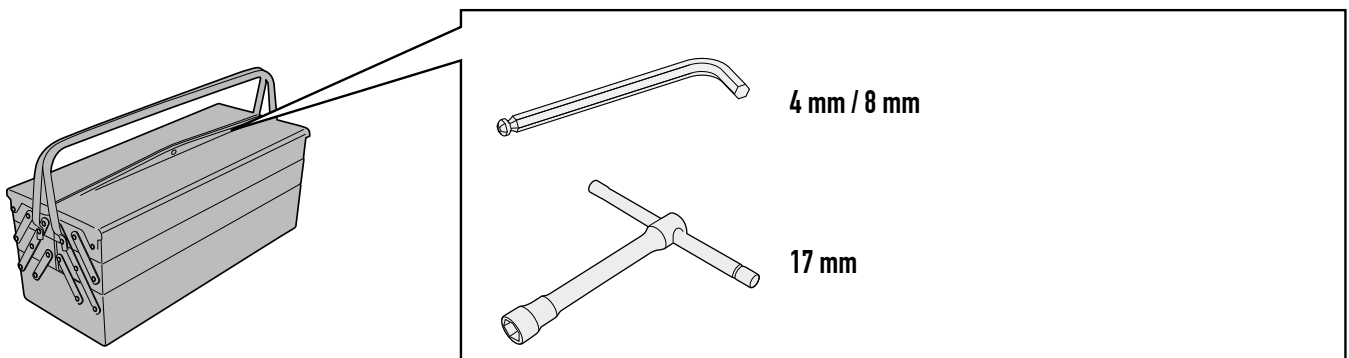
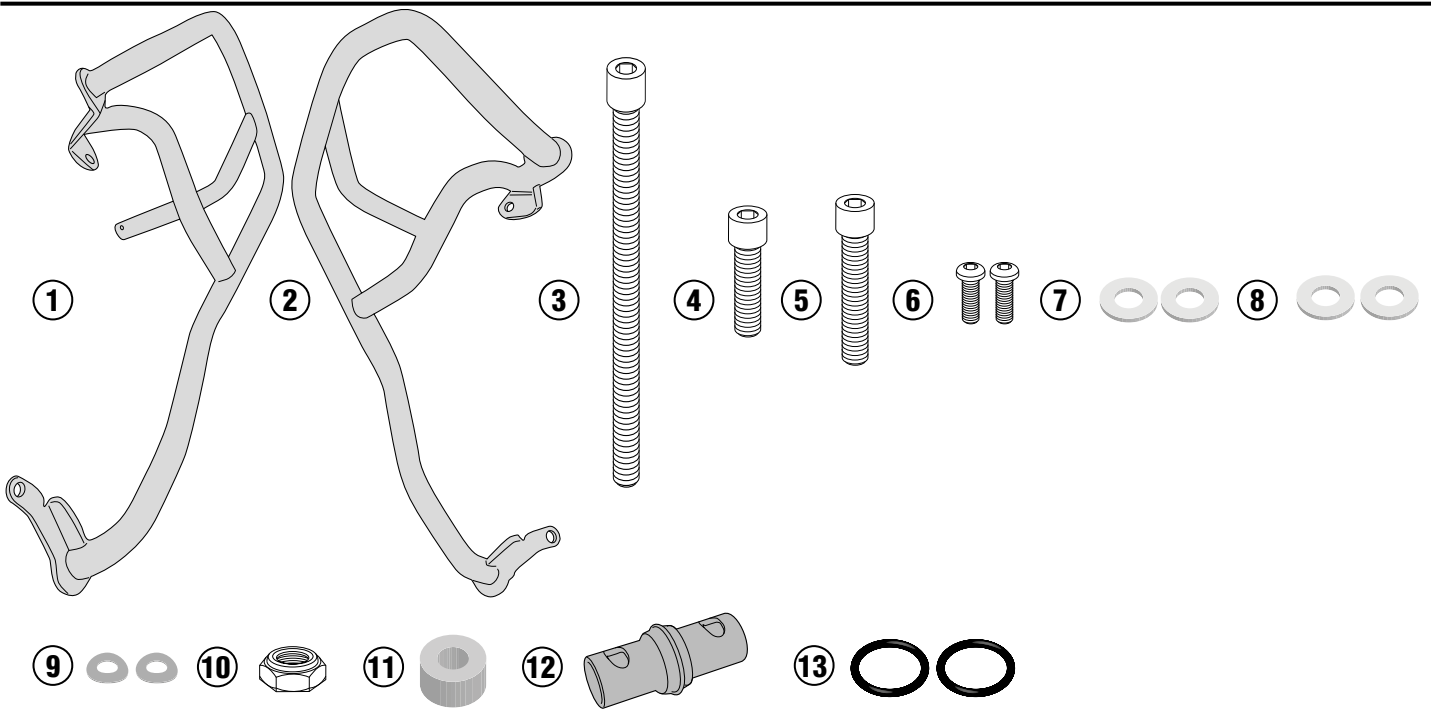
BMW G310GS (2017/2018)

N°	Description	Features	Code	Quantity
1	Engine Guard	-	TN5126DXV	1(Right)
2	Engine Guard	-	TN5126SXV	1(Left)
3	Screw	TCES M10x160 Passo 1,25mm	10160TCES	1
4	Screw	TCEX M10X35	1035TCEX	1
5	Screw	TCEX M10X50	1050TCEX	1
6	Screw	TBEIFF M6X16	616TBEIFF	2
7	Washer	Ø10	10RON	2
8	Stainless Steel Washer	Ø10	10RONSX	2
9	Washer	Ø6	618RONP	2
10	Bolt	M10 Passo 1,25mm	10DADIBS	1
11	Spacer Entretoise	Ø22x12 Foro 10,5	C22L12F10,5T	1
12	Nipples	-	V906T	1
13	O - Ring	-	Z2161	2
14	Original Parts	-	-	-

TN5126 - KN5126

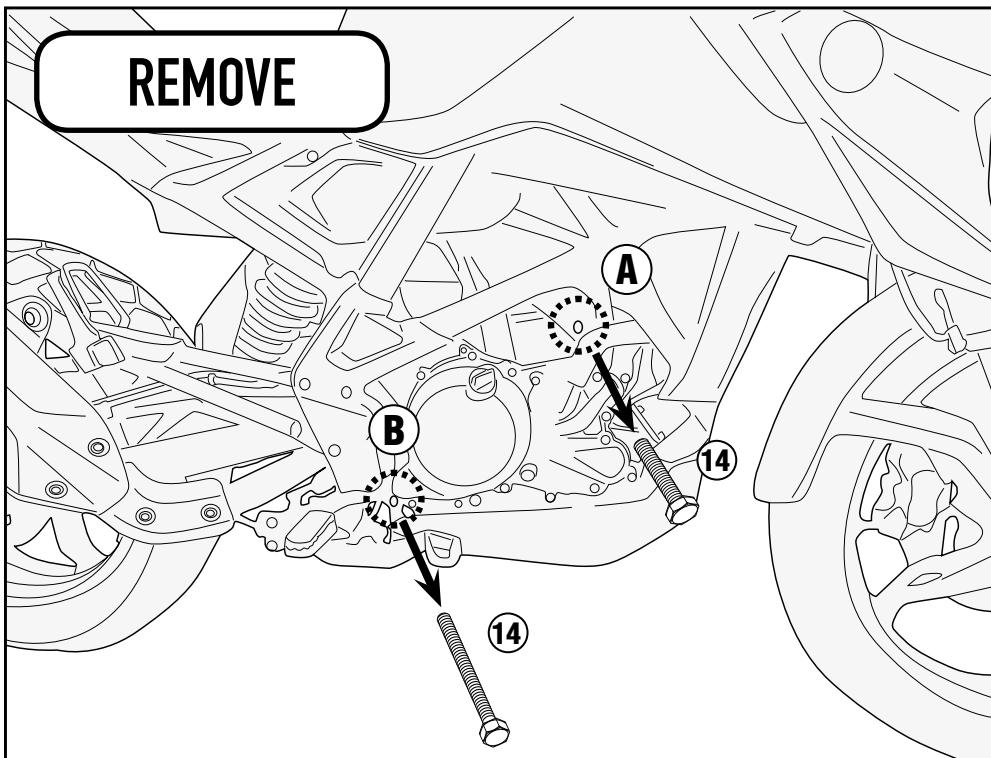
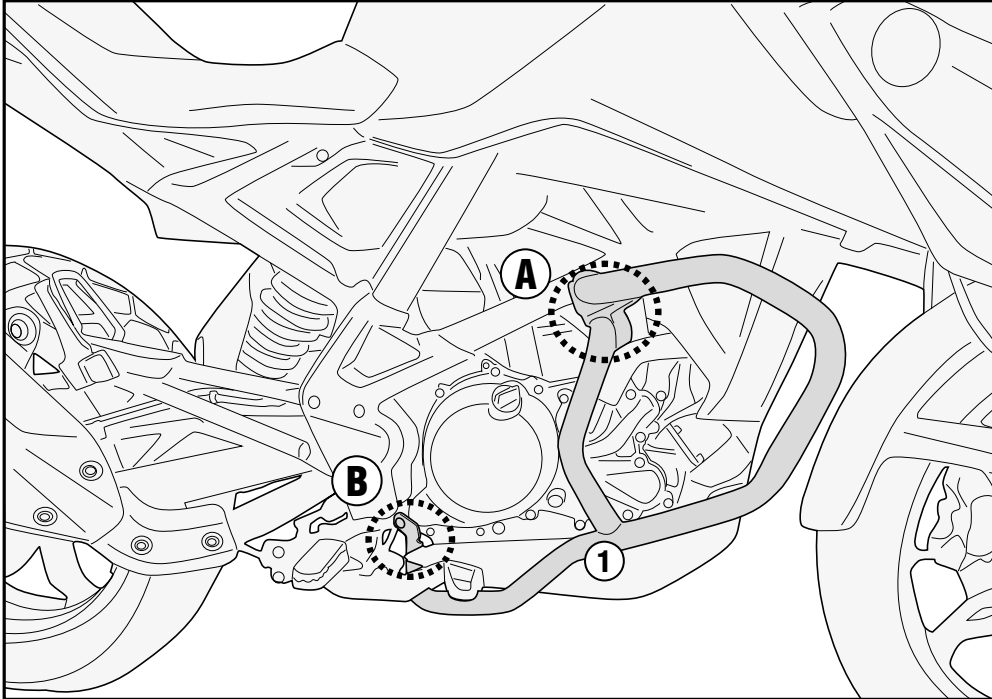
SPECIFIC ENGINE GUARD

BMW G310GS (2017/2018)



TN5126 - KN5126
SPECIFIC ENGINE GUARD
BMW G310GS (2017/2018)

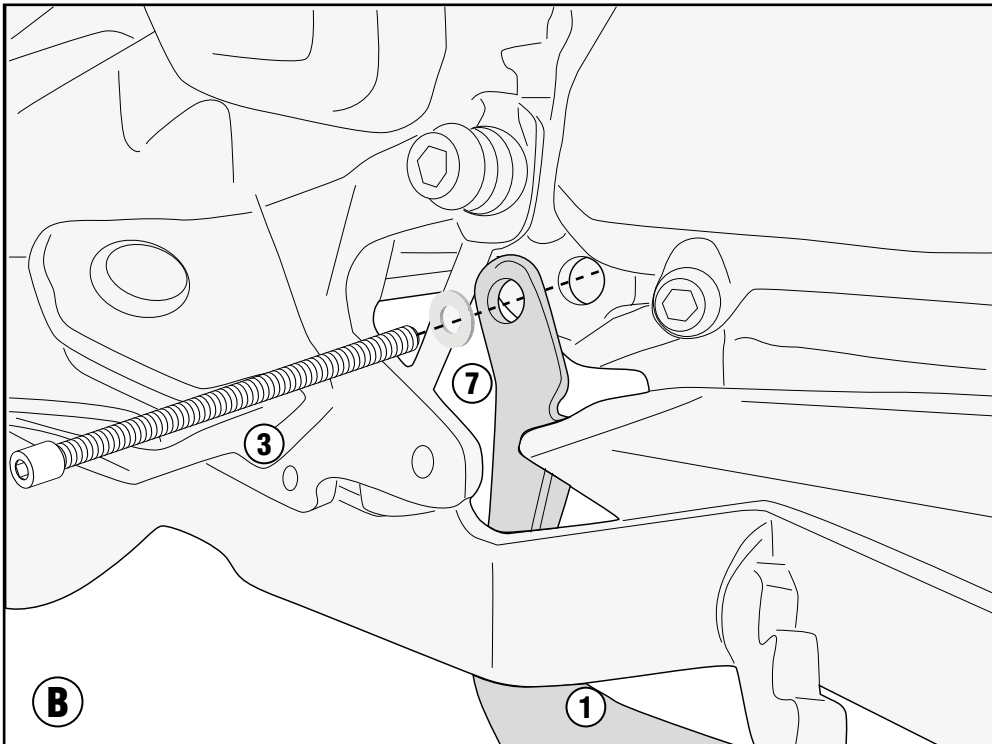
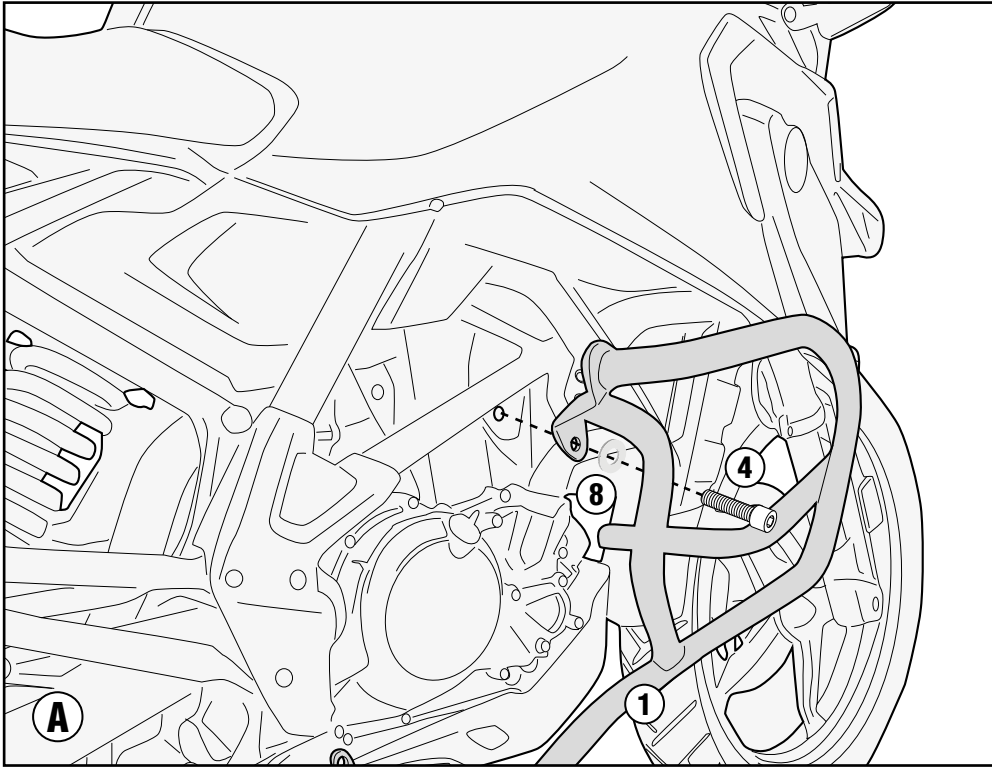
RIGHT SIDE



TN5126 - KN5126

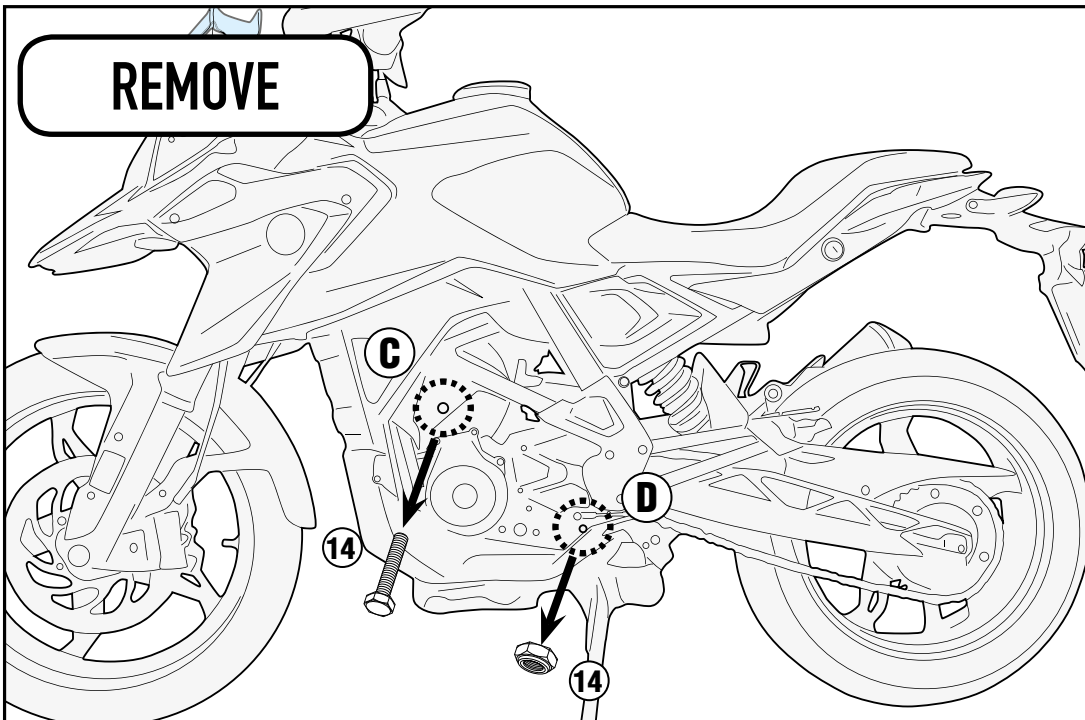
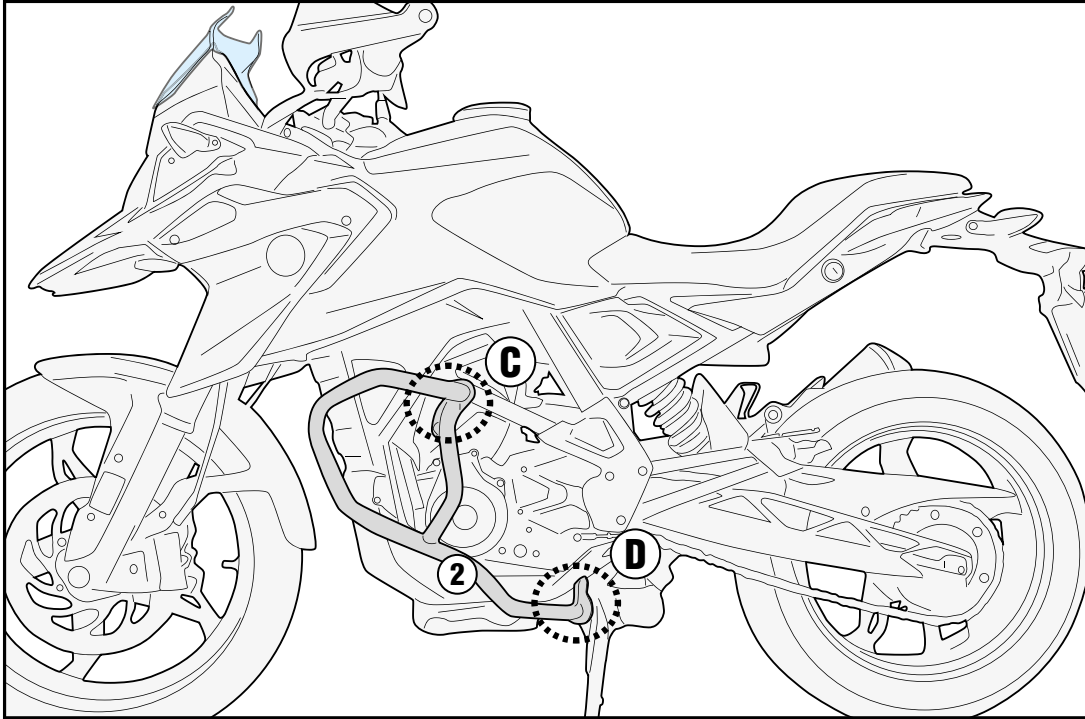
SPECIFIC ENGINE GUARD

BMW G310GS (2017/2018)



TN5126 - KN5126
SPECIFIC ENGINE GUARD
BMW G310GS (2017/2018)

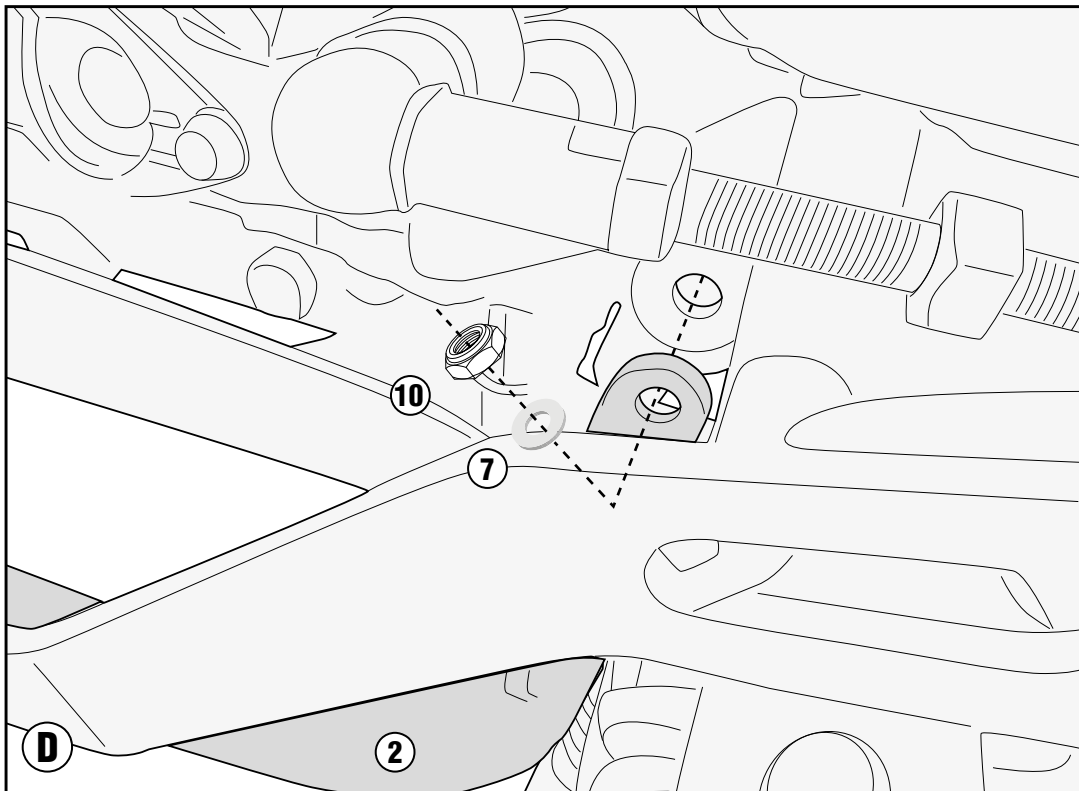
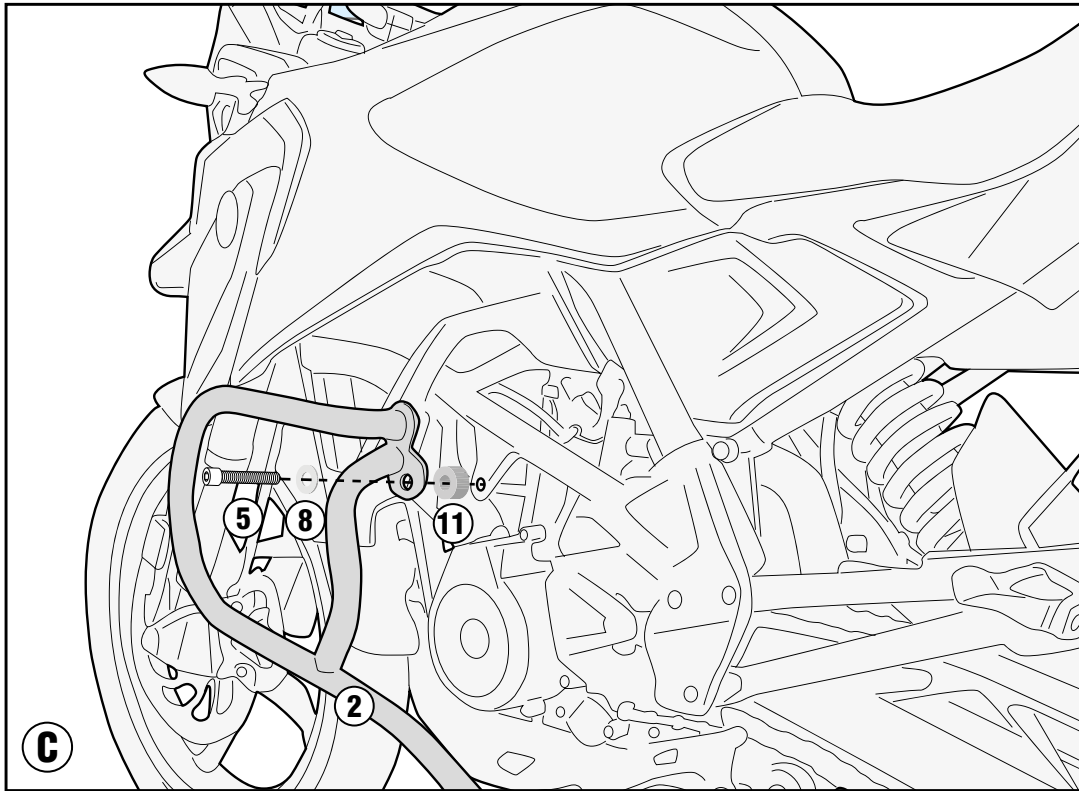
LEFT SIDE



TN5126 - KN5126

SPECIFIC ENGINE GUARD

BMW G310GS (2017/2018)



TN5126 - KN5126

SPECIFIC ENGINE GUARD

BMW G310GS (2017/2018)

