

TN5108KIT - TN5108KIT

KIT SPECIFICO - SPECIFIC KIT - KIT SPECIFIQUE - SPEZIFISCHES KIT - KIT ESPECÍFICO

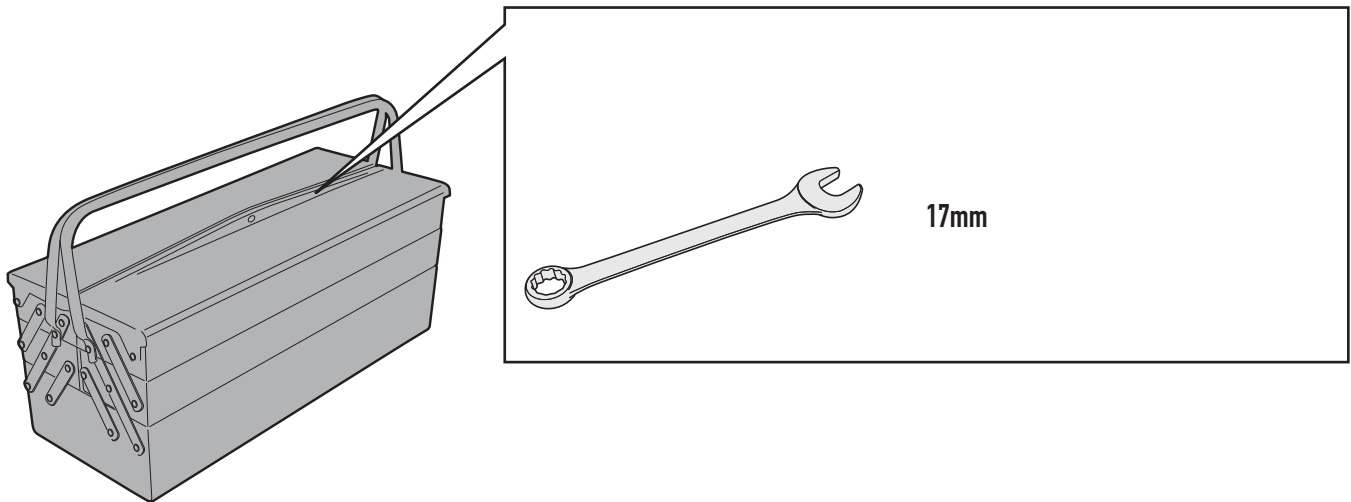
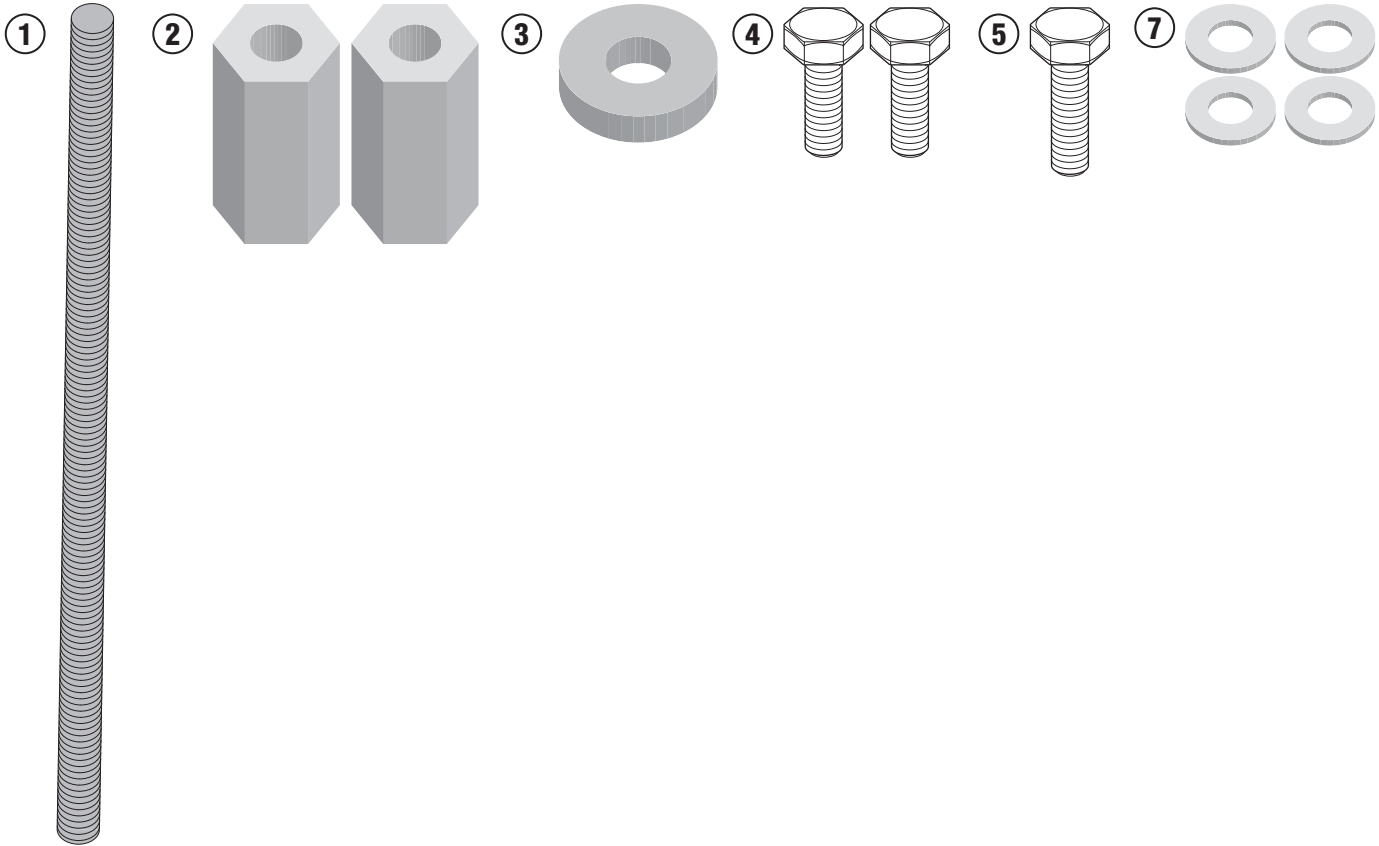
BMW R1200R (2015 - 2016) / BMW R1200GS (2016)

N°	Descrizione	Caratteristiche	Codice	Quantità
1	Barra Filettata - Threaded Bar - Tige Filetee -	M12 PASSO 1,75 INOX	V884	1
2	Supporto - Support - Support	-	V882	2
3	Distanziale - Spacer	Ø30x7 Foro 12,5	C30L7F12,5T	1
4	Vite - Screw	TES M10x25	1025TES	2
5	Vite - Screw	TES M10x30	1030TES	1
6	Particolari Inclusi Nel Kit Viteria Del TN5108 Components Included In The Fitting Kit Of The TN5108	-	-	-
7	Rondella - Washer	Ø12mm	12RON	4

TN5108KIT - TN5108KIT

KIT SPECIFICO

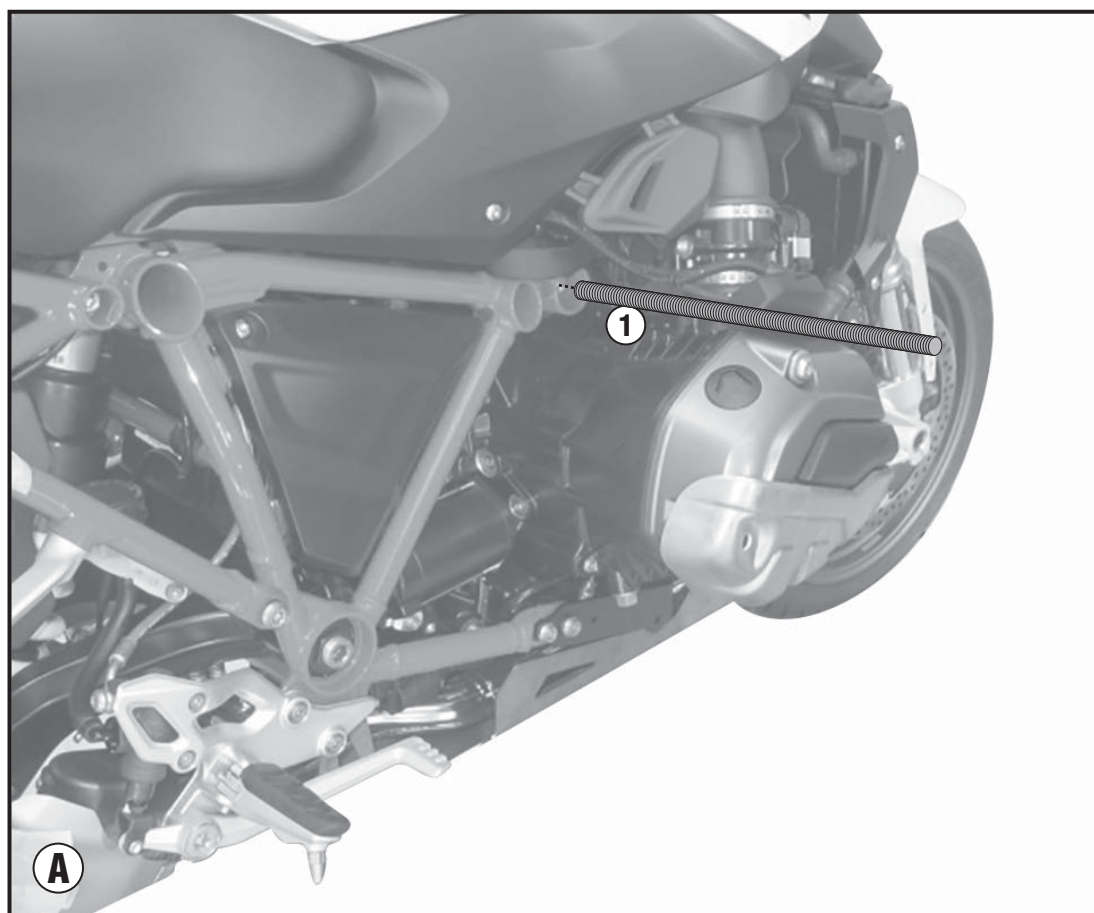
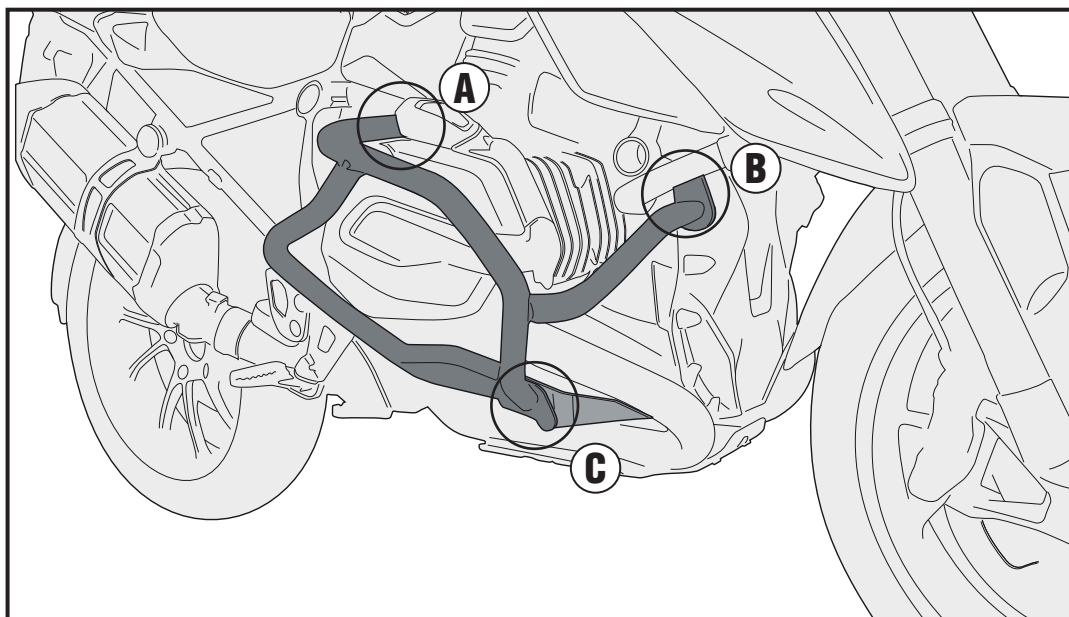
BMW R1200R (2015 - 2016) / BMW R1200GS (2016)



TN5108KIT - TN5108KIT

KIT SPECIFICO

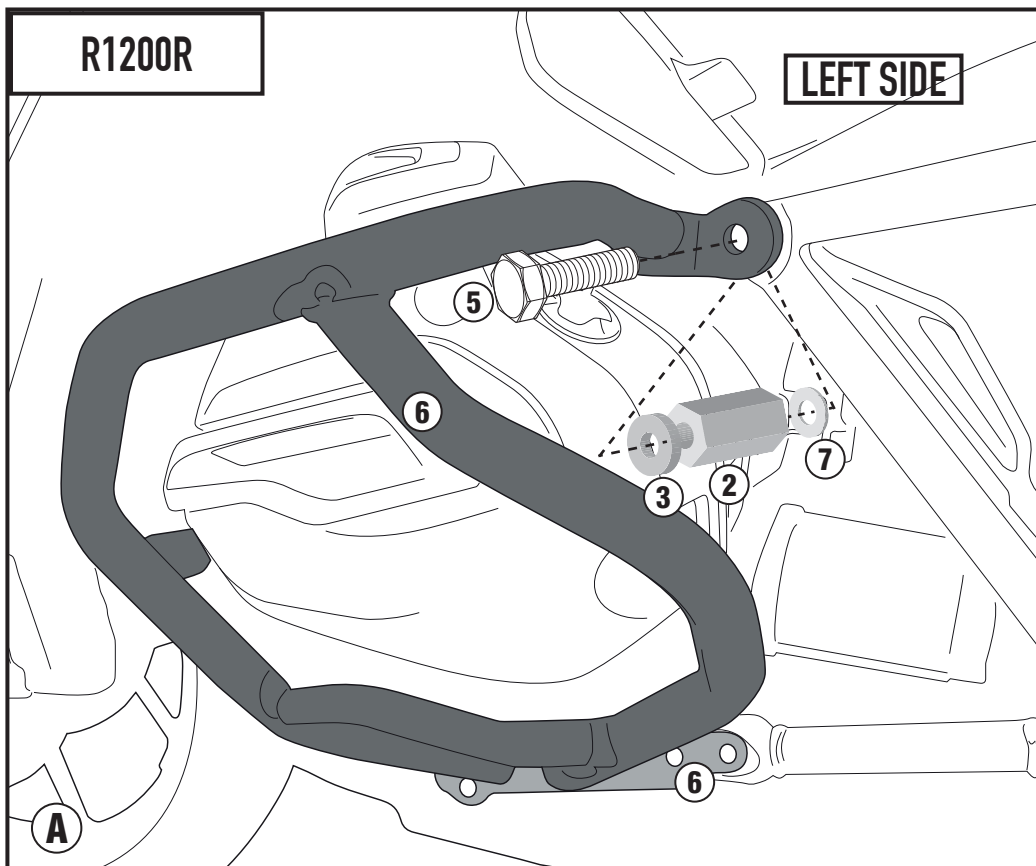
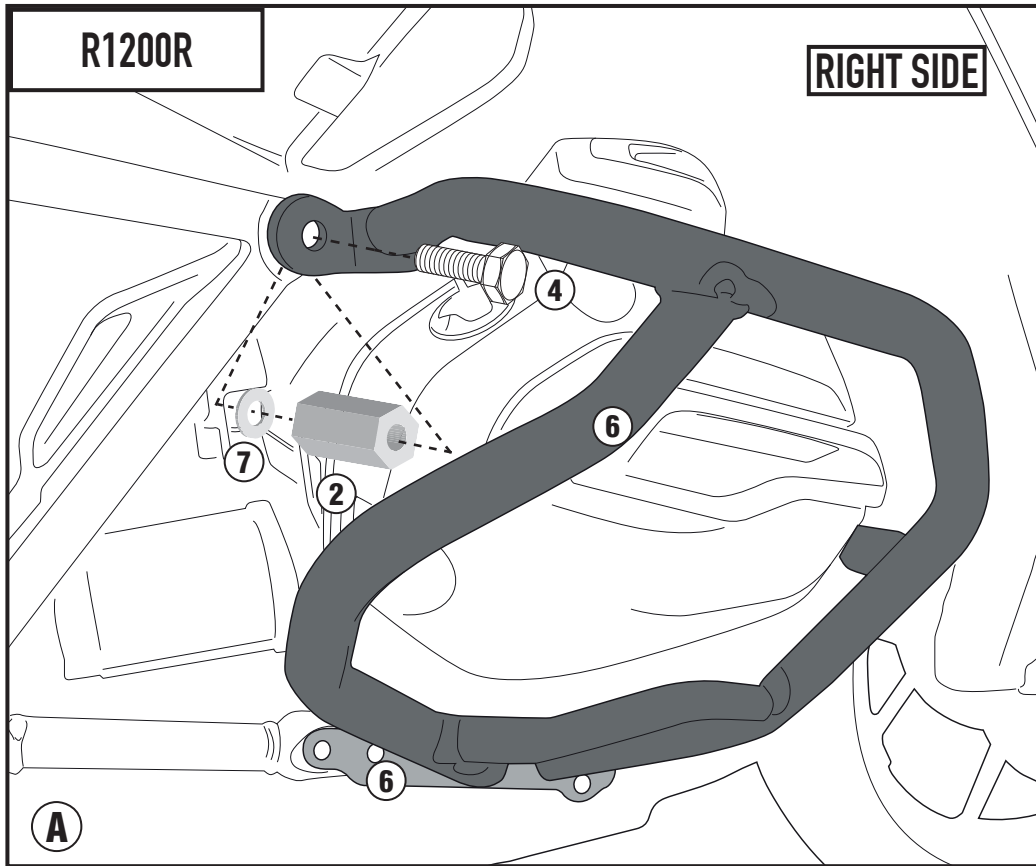
BMW R1200R (2015 - 2016) / BMW R1200GS (2016)



TN5108KIT - TN5108KIT

KIT SPECIFICO

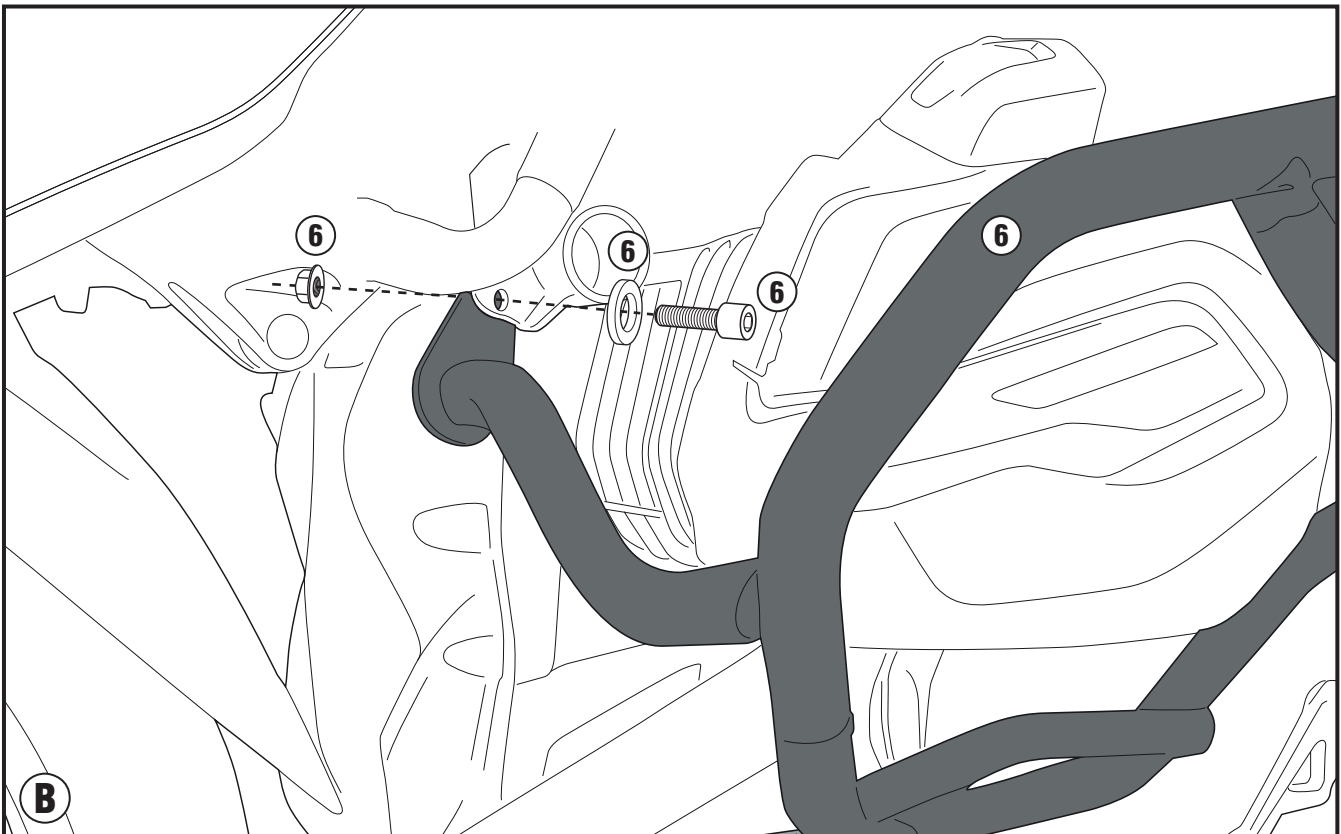
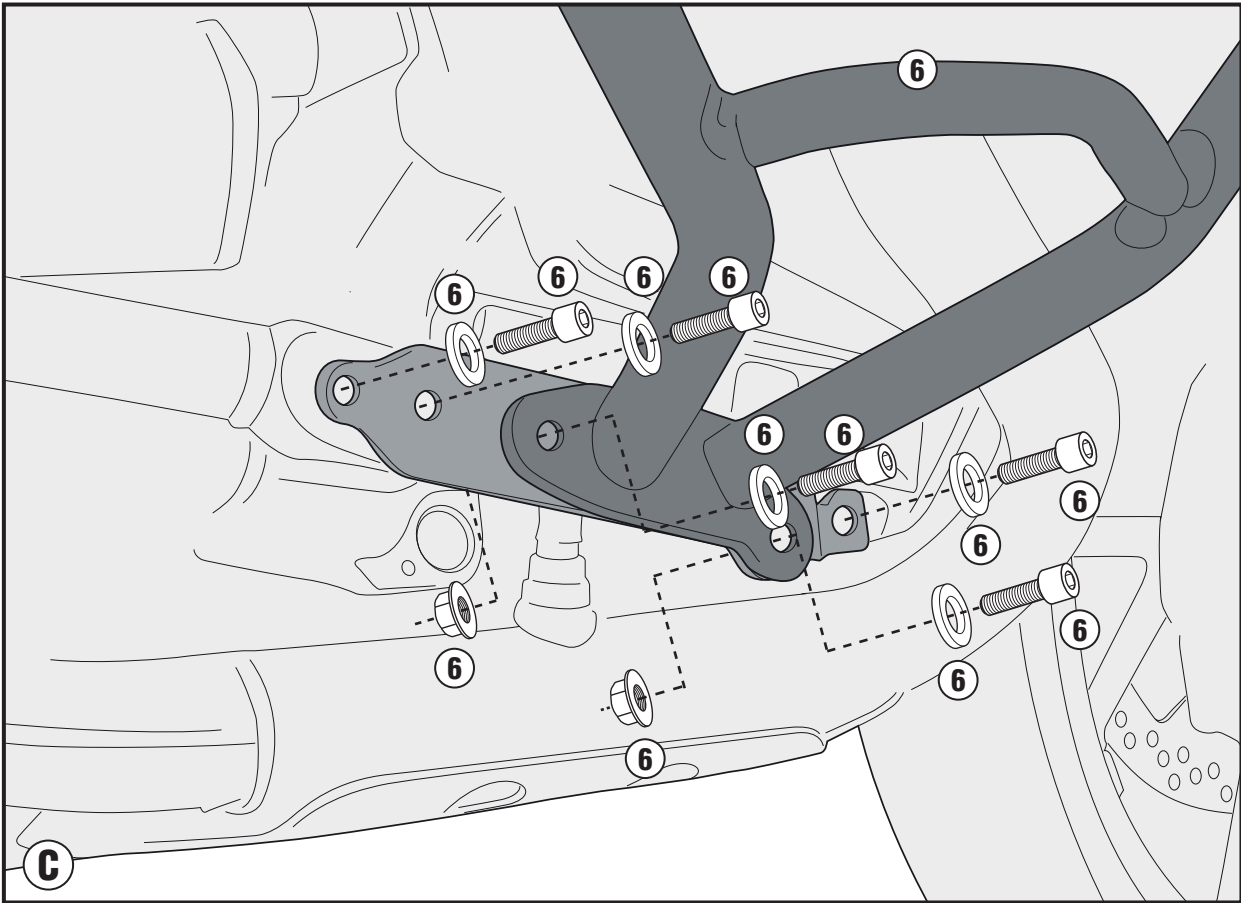
BMW R1200R (2015 - 2016) / BMW R1200GS (2016)



TN5108KIT - TN5108KIT

KIT SPECIFICO

BMW R1200R (2015 - 2016) / BMW R1200GS (2016)



TN5108KIT - TN5108KIT

KIT SPECIFICO

BMW R1200R (2015 - 2016) / BMW R1200GS (2016)

