

TN4126 - KN4126

SPECIFIC ENGINE GUARD

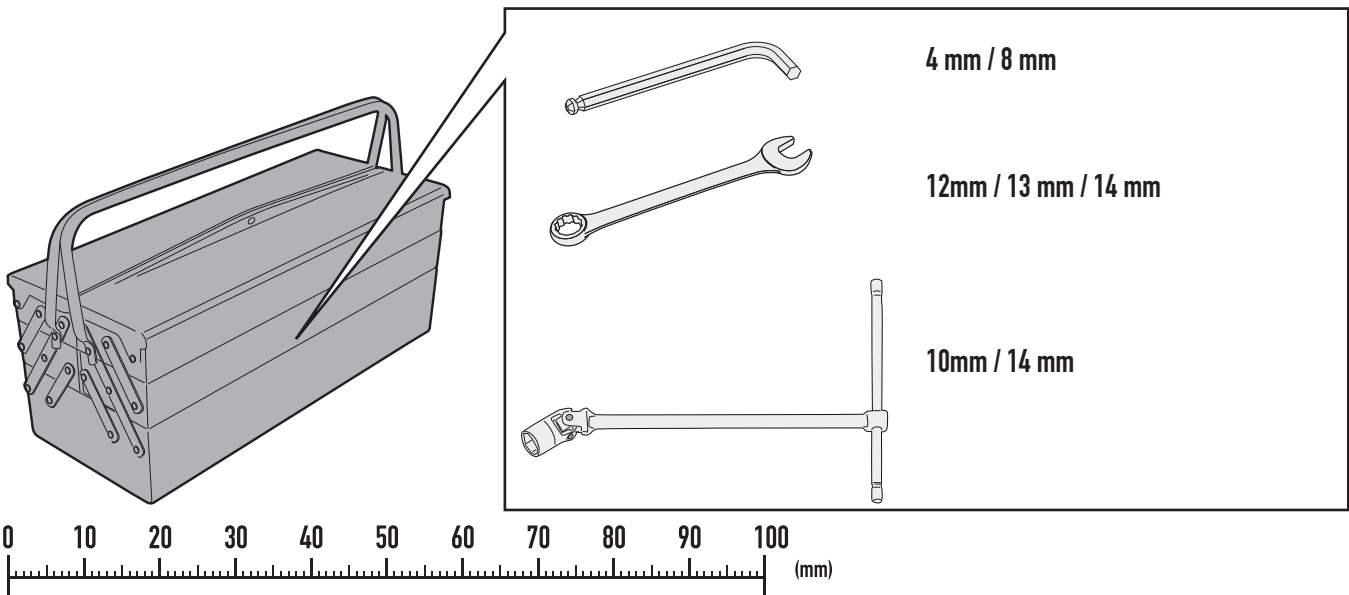
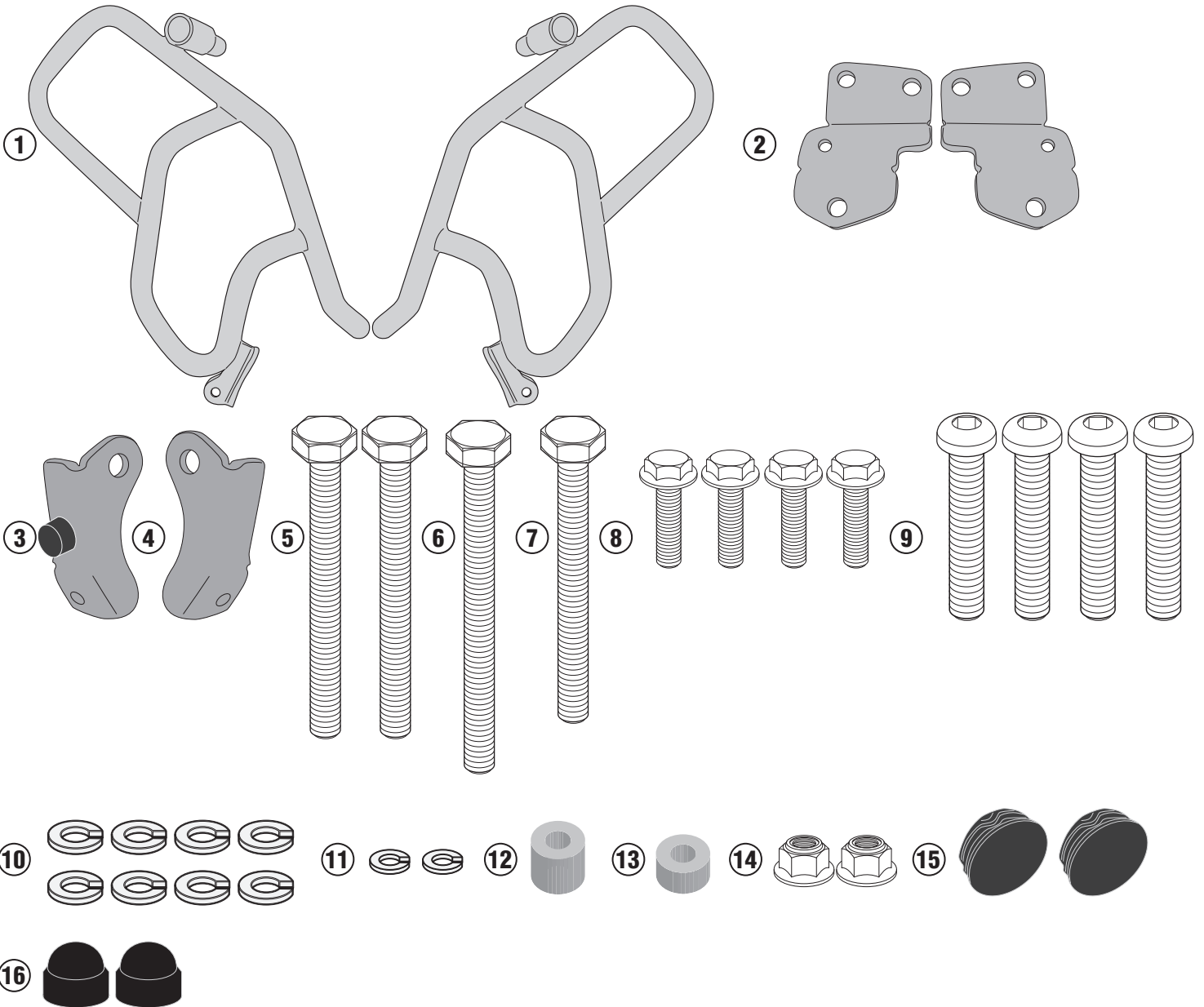
KAWASAKI VERSYS 1000 (2019)

N°	Description	Features	Code	Quantity
1	Engine Guard	-	TN4126DXV TN4126SXV	2 (Right; Left)
2	Support higher	-	GL4116DXV GL4116SXV	2 (Right; Left)
3	Lower support	RIGHT SIDE	GL4117V	1 (Right)
4	Lower support	LEFT SIDE	GL4118V	1 (Left)
5	Screw	TES M10x90	1090TES	2
6	Screw	TES M10x100	10100TES	1
7	Screw	TES M10x85	1085TES	1
8	Screw	TECF M8x20	820TECF	4
9	Screw	TBEIS M10x50	1050TBEIS	4
10	Stainless Steel Washer	Ø10	10RON SX	8
11	Split washer Scheibe	Ø8	Z1060	2
12	Spacer	Ø22x20 Foro 10,5 mm	C22L20F10,5T	1
13	Spacer	Ø22x12 Foro 10,5 mm	C22L12F10,5T	1
14	Bolt	Dado Autobloccante Flangiato M8	8DADIFN	2
15	Cap	-	32TAPBA	2
16	Screw Cap	-	13COP	2
17	Original Parts	-	-	-

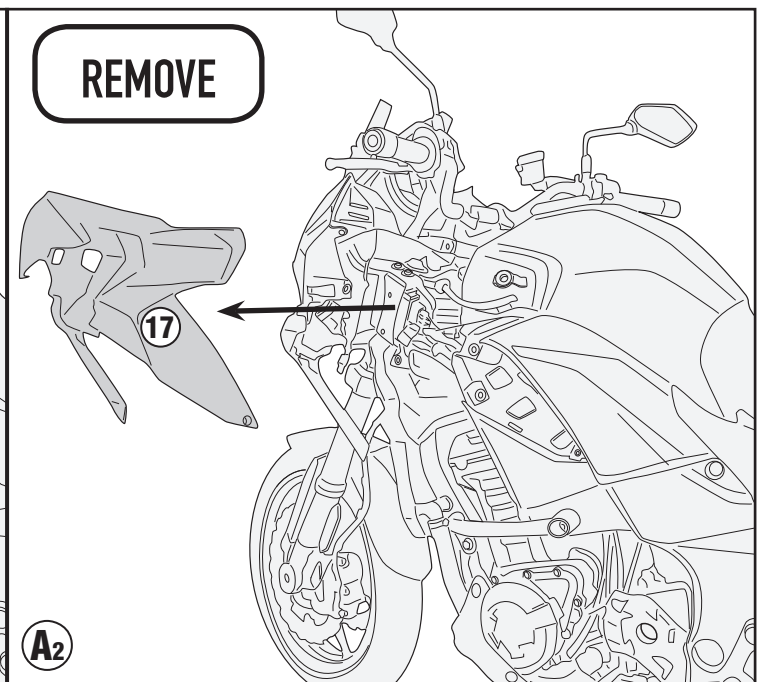
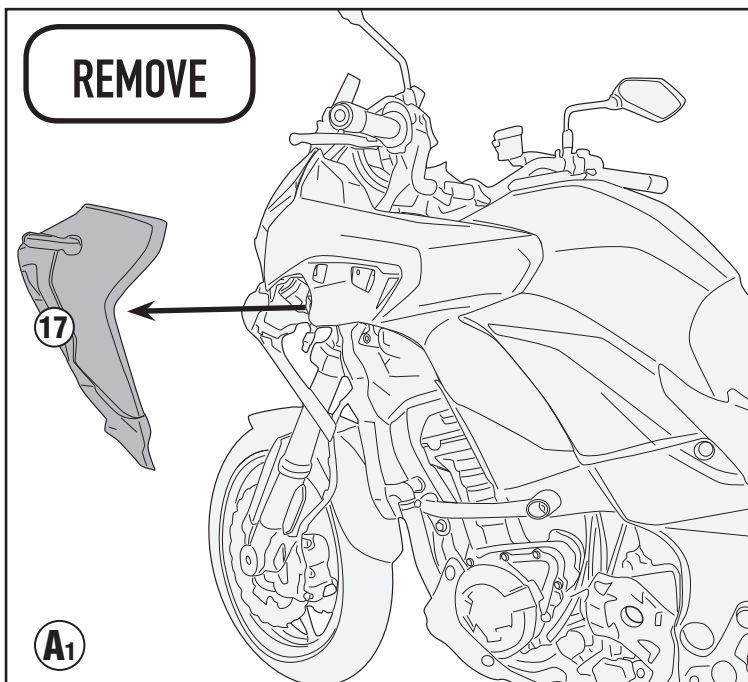
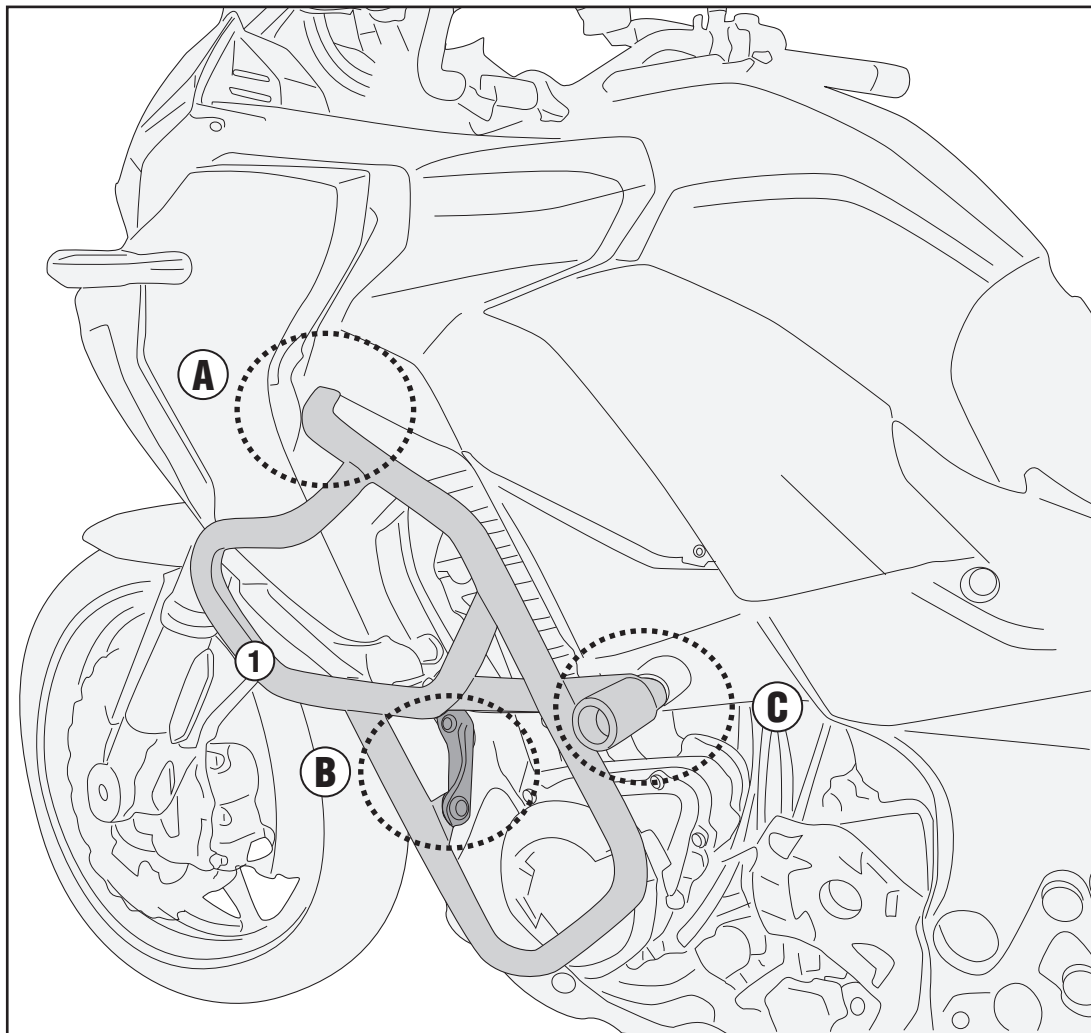
TN4126 - KN4126

SPECIFIC ENGINE GUARD

KAWASAKI VERSYS 1000 (2019)

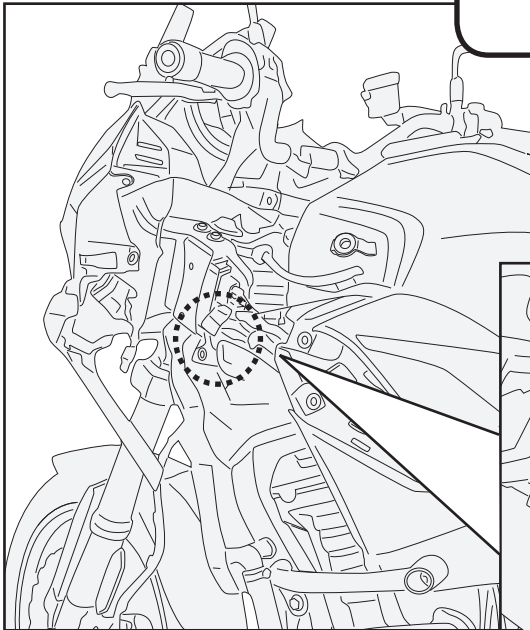


TN4126 - KN4126
SPECIFIC ENGINE GUARD
KAWASAKI VERSYS 1000 (2019)

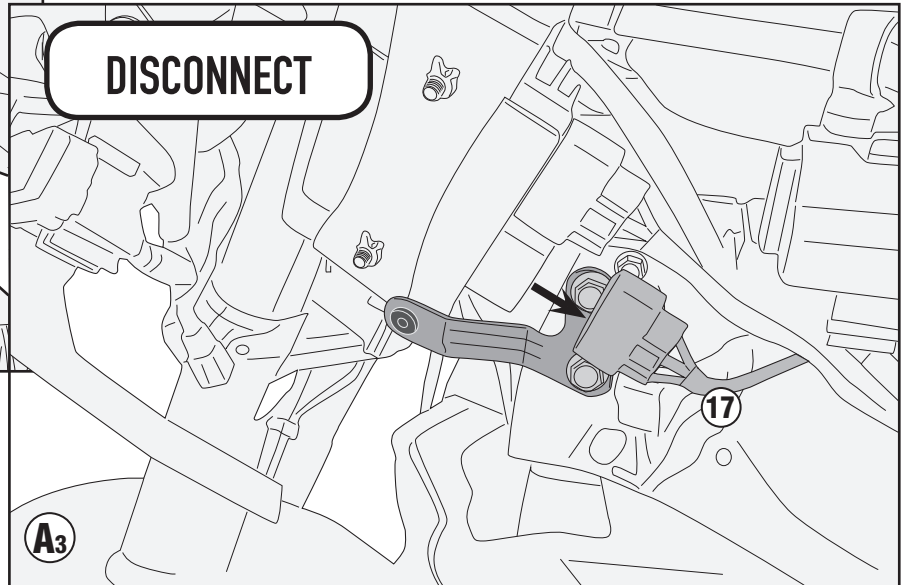


TN4126 - KN4126
SPECIFIC ENGINE GUARD
KAWASAKI VERSYS 1000 (2019)

LEFT SIDE



DISCONNECT



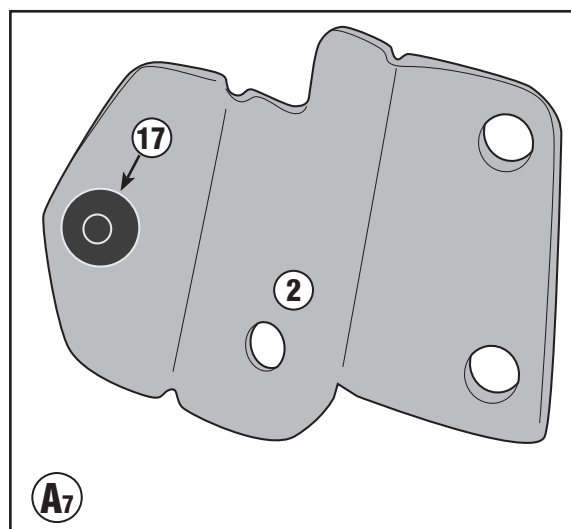
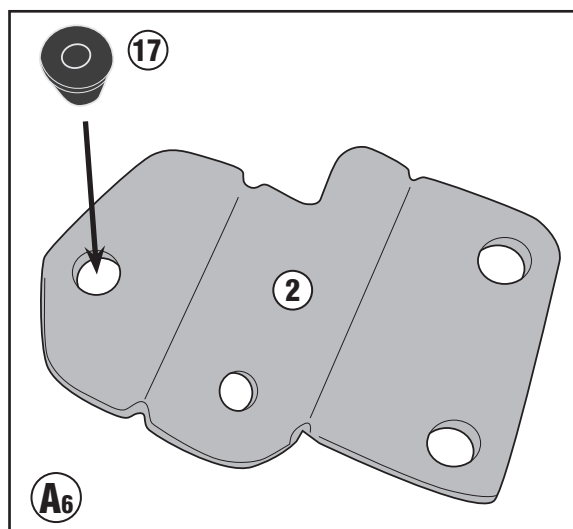
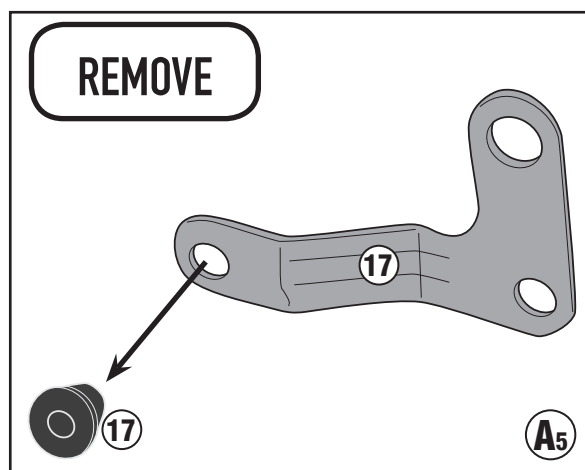
REMOVE



TN4126 - KN4126

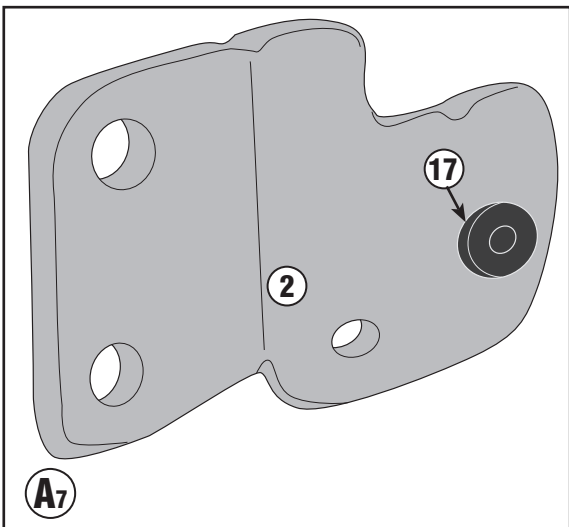
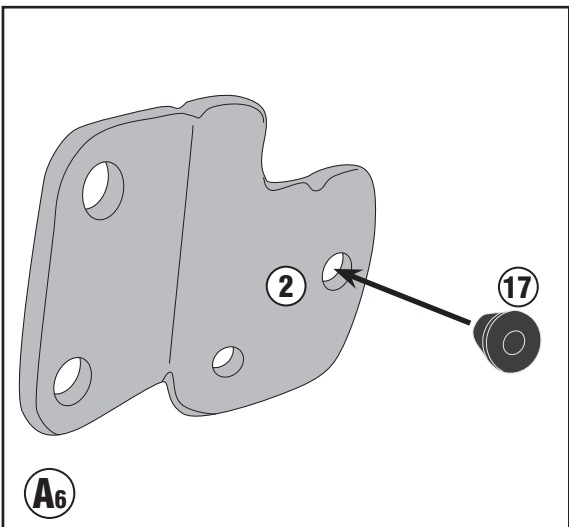
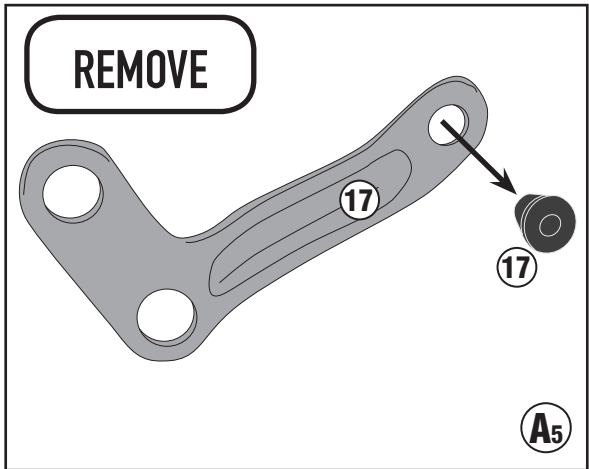
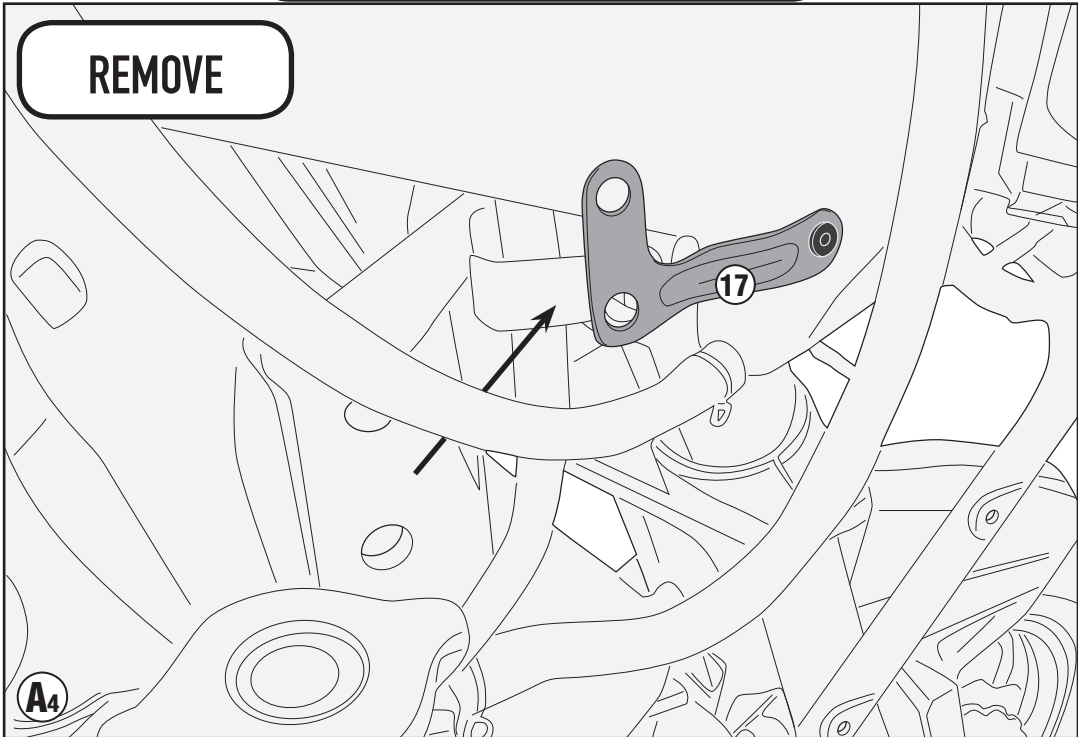
SPECIFIC ENGINE GUARD

KAWASAKI VERSYS 1000 (2019)

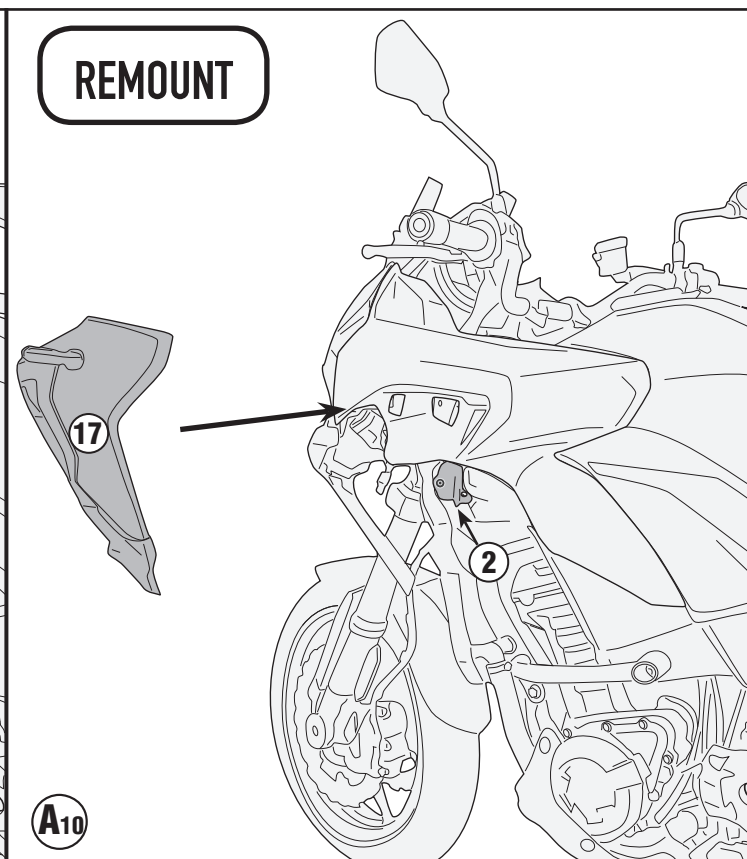
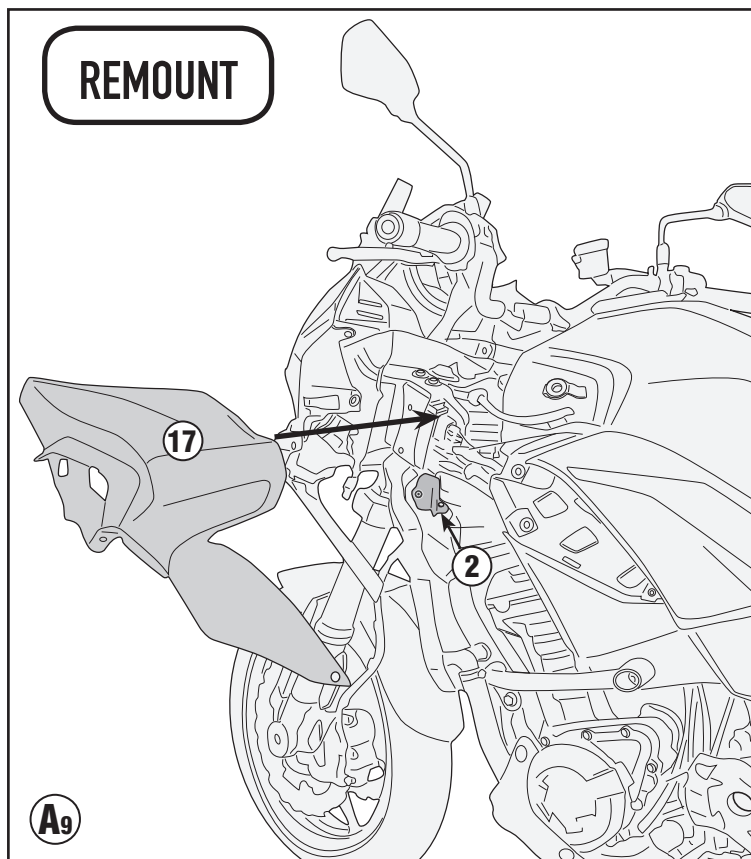
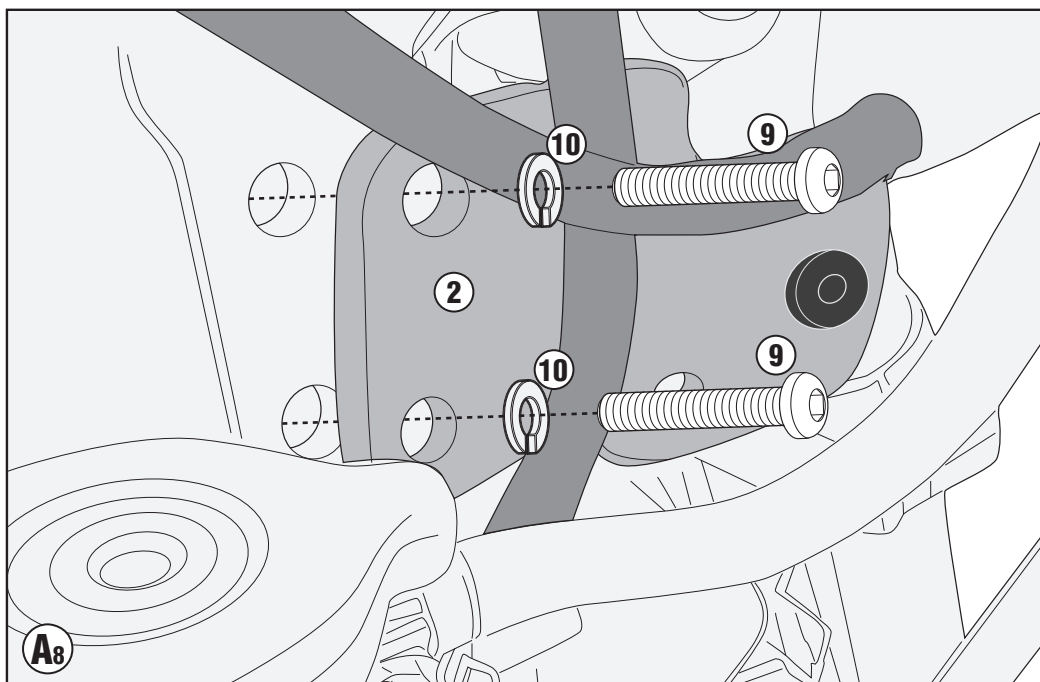


TN4126 - KN4126
SPECIFIC ENGINE GUARD
KAWASAKI VERSYS 1000 (2019)

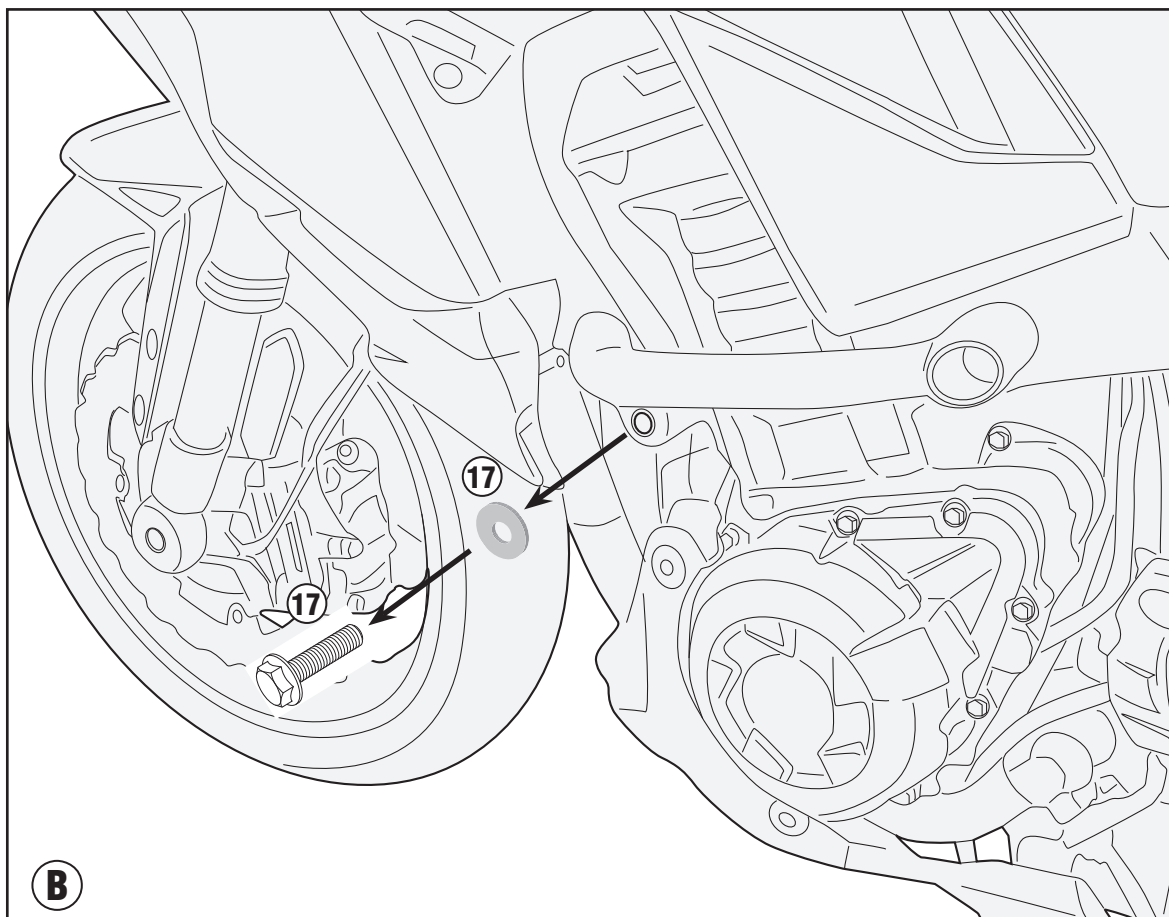
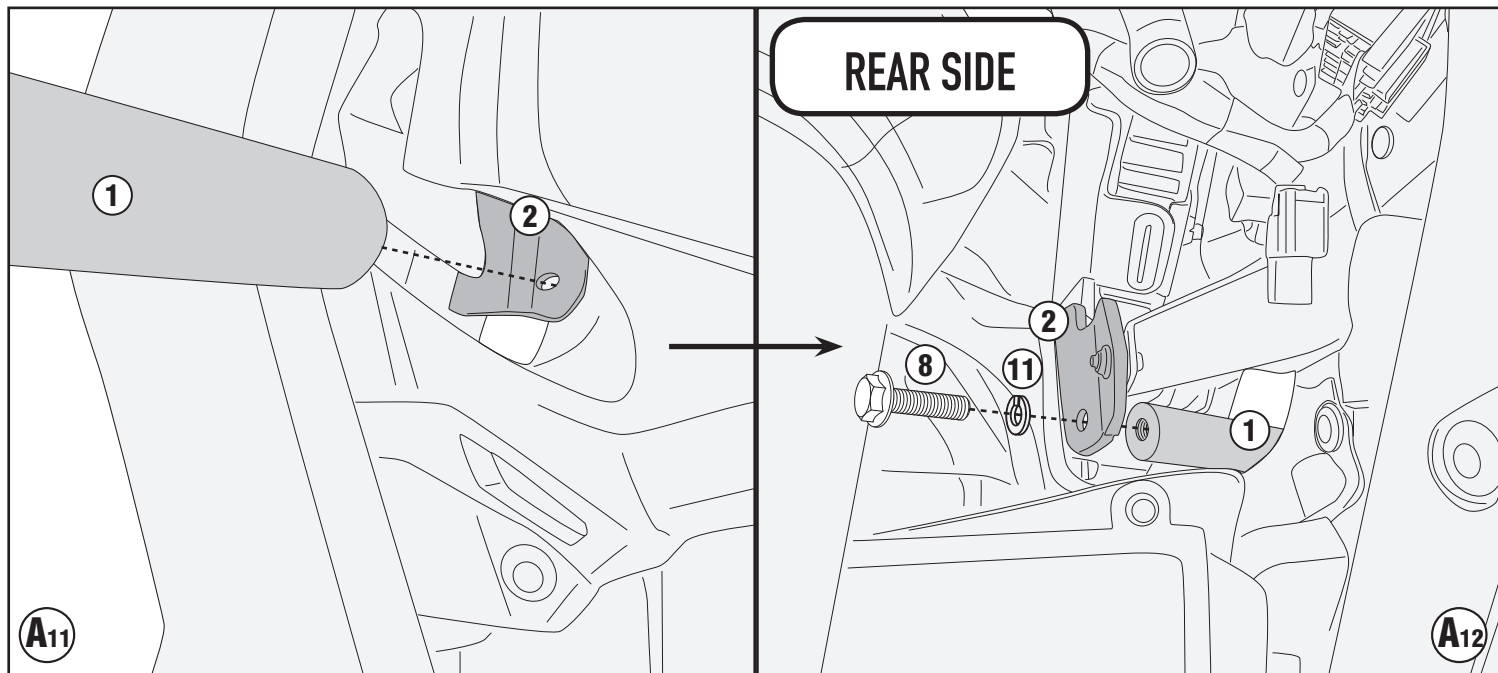
RIGHT SIDE



TN4126 - KN4126
SPECIFIC ENGINE GUARD
KAWASAKI VERSYS 1000 (2019)



TN4126 - KN4126
SPECIFIC ENGINE GUARD
KAWASAKI VERSYS 1000 (2019)



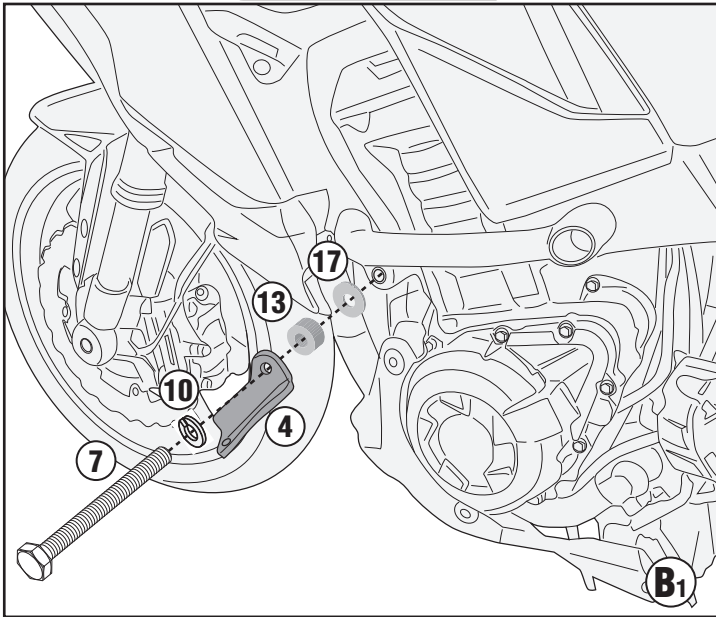
TN4126 - KN4126

SPECIFIC ENGINE GUARD

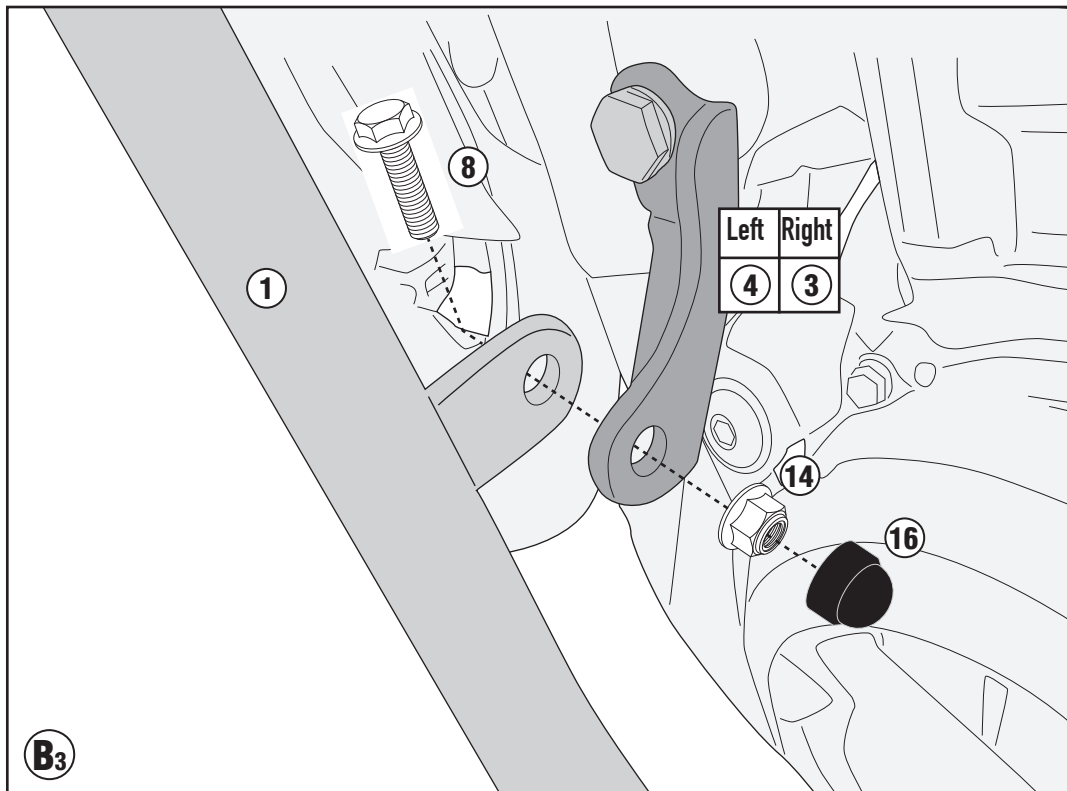
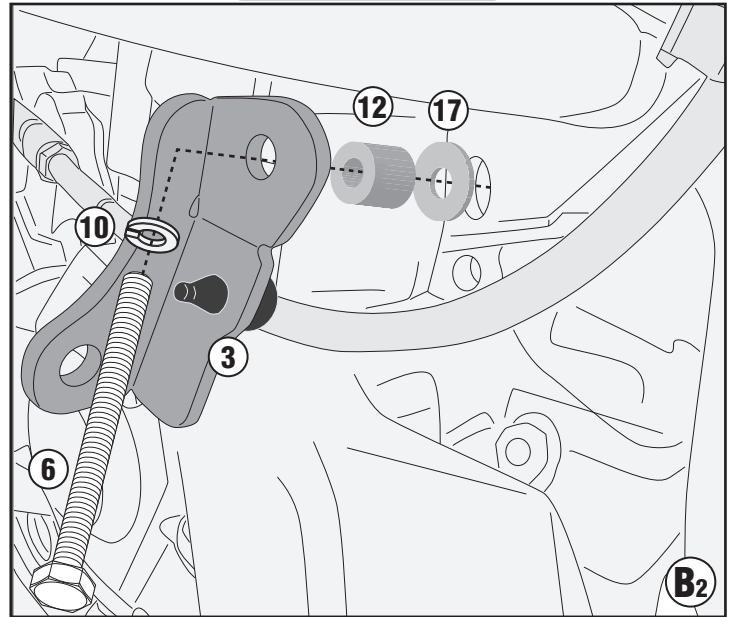
KAWASAKI VERSYS 1000

(2019)

LEFT SIDE



RIGHT SIDE



TN4126 - KN4126

SPECIFIC ENGINE GUARD

KAWASAKI VERSYS 1000 (2019)

