

# TN4121 - KN4121

## SPECIFIC ENGINE GUARD

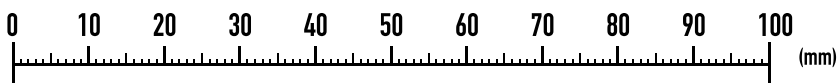
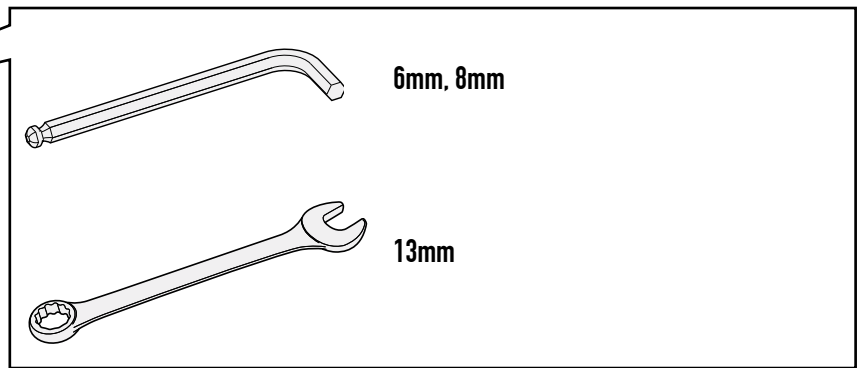
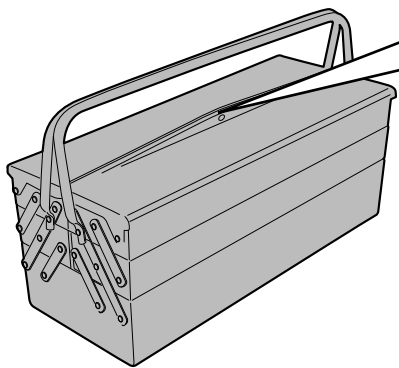
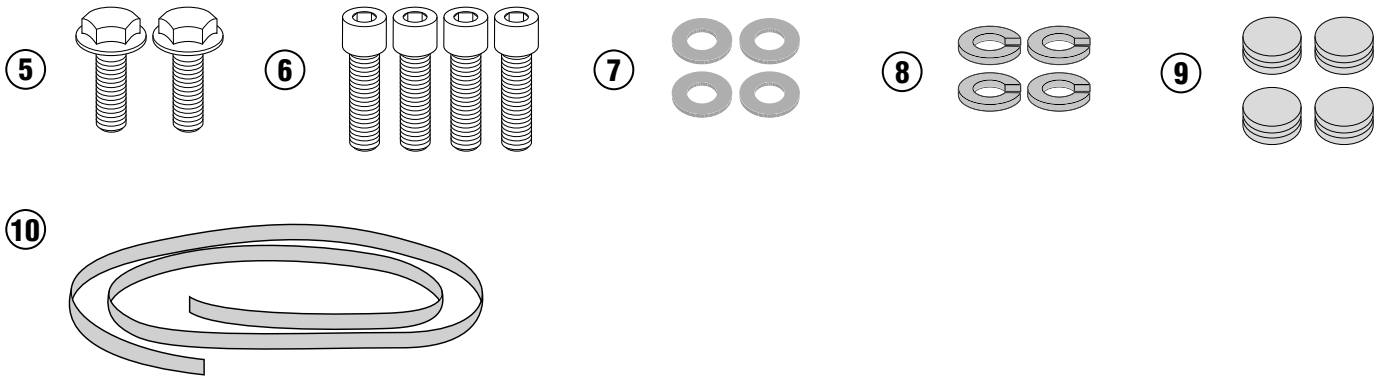
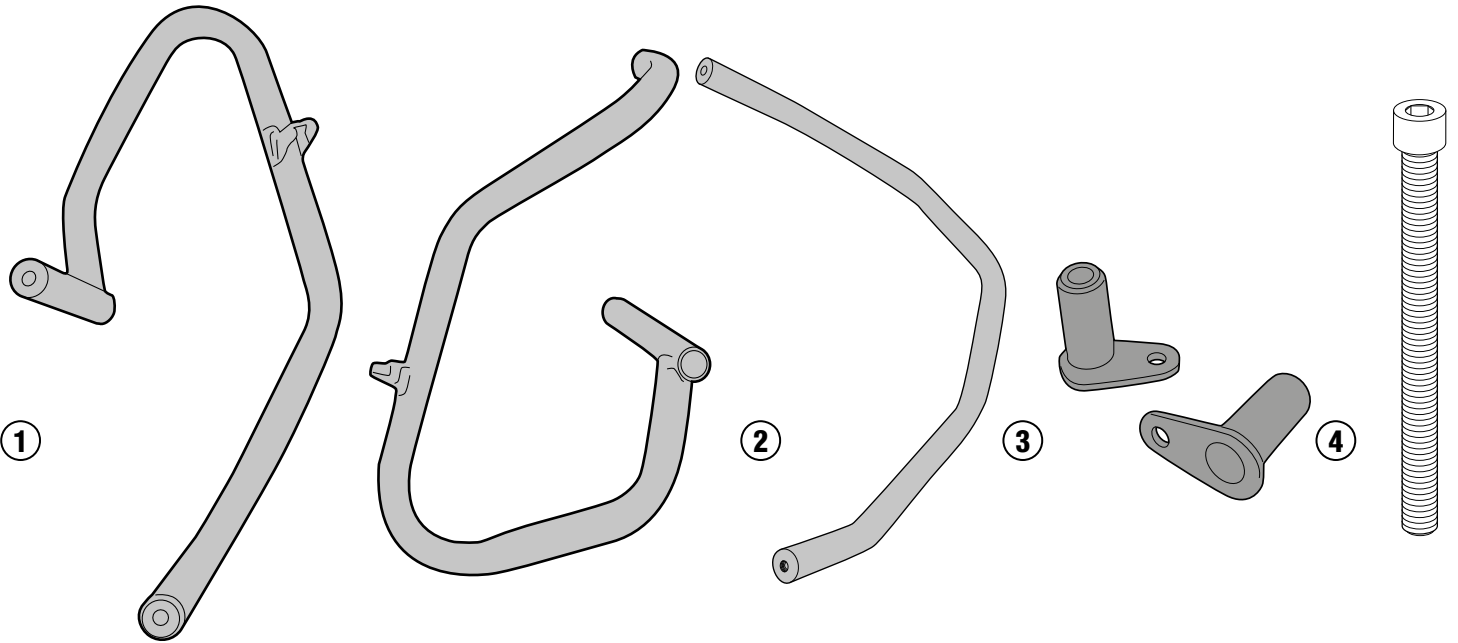
# KAWASAKI VERSYS - X 300 (2017)

N°	Description	Features	Code	Quantity
1	Engine Guard	-	TN4121DXV TN4121SXV	2 (dx-sx)
2	Bridge	-	GNB1977V	1
3	Support	-	GNB1978V	2
4	Screw	TCEIS M10x160 Passo 1/25	10160TCEIS	1
5	Screw	TEF M8X16	816TEF	2
6	Screw	TCEI M8x20	820TCEI	4
7	Washer	Ø 8	8RON	4
8	Washer	-	Z1060	4
9	Cap	-	25TAPBA	4
10	MOUSSE	MOUSSE25X3X170	Z1763	1
11	Original Parts	-	-	-

# TN4121 - KN4121

SPECIFIC ENGINE GUARD

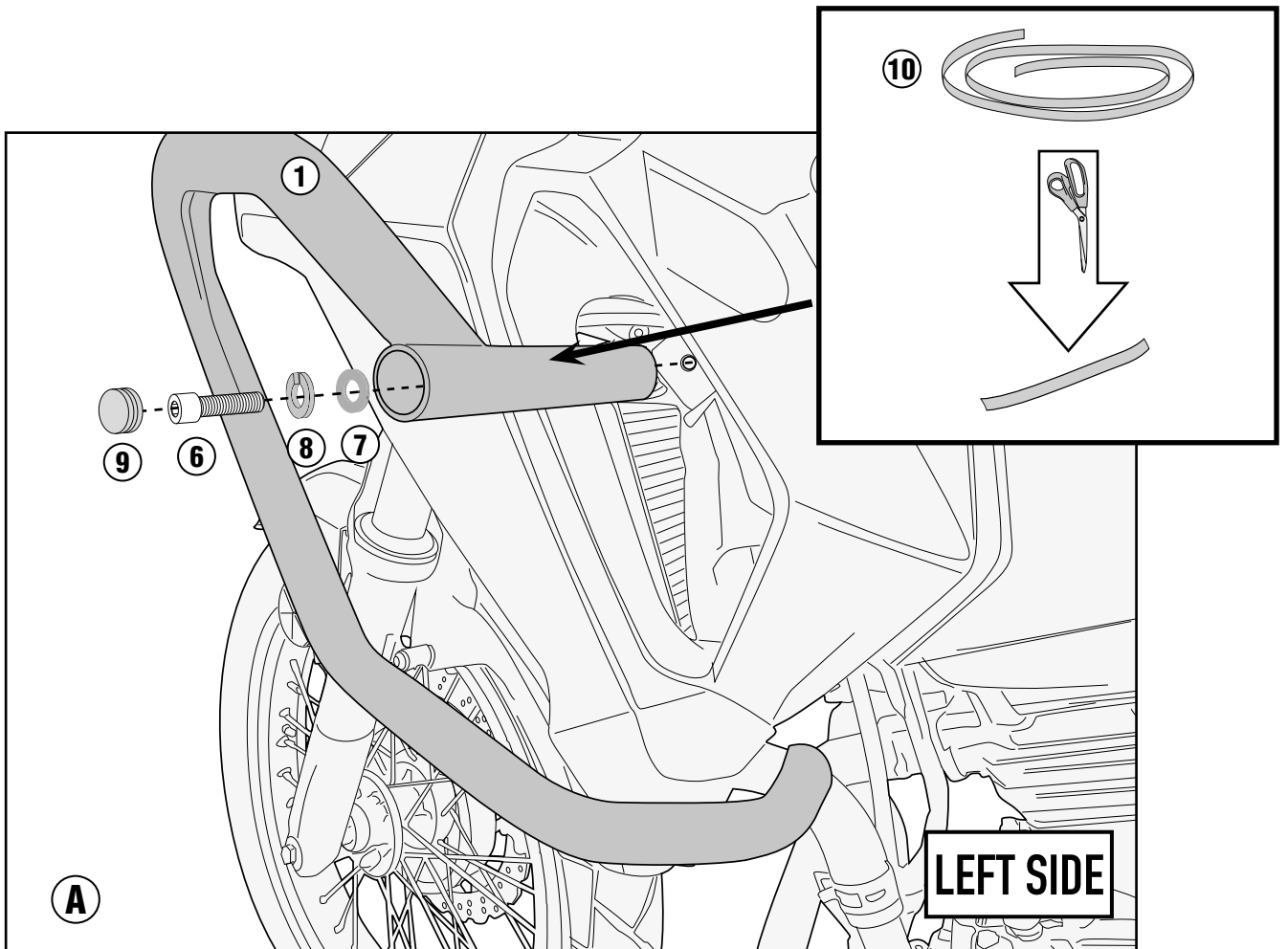
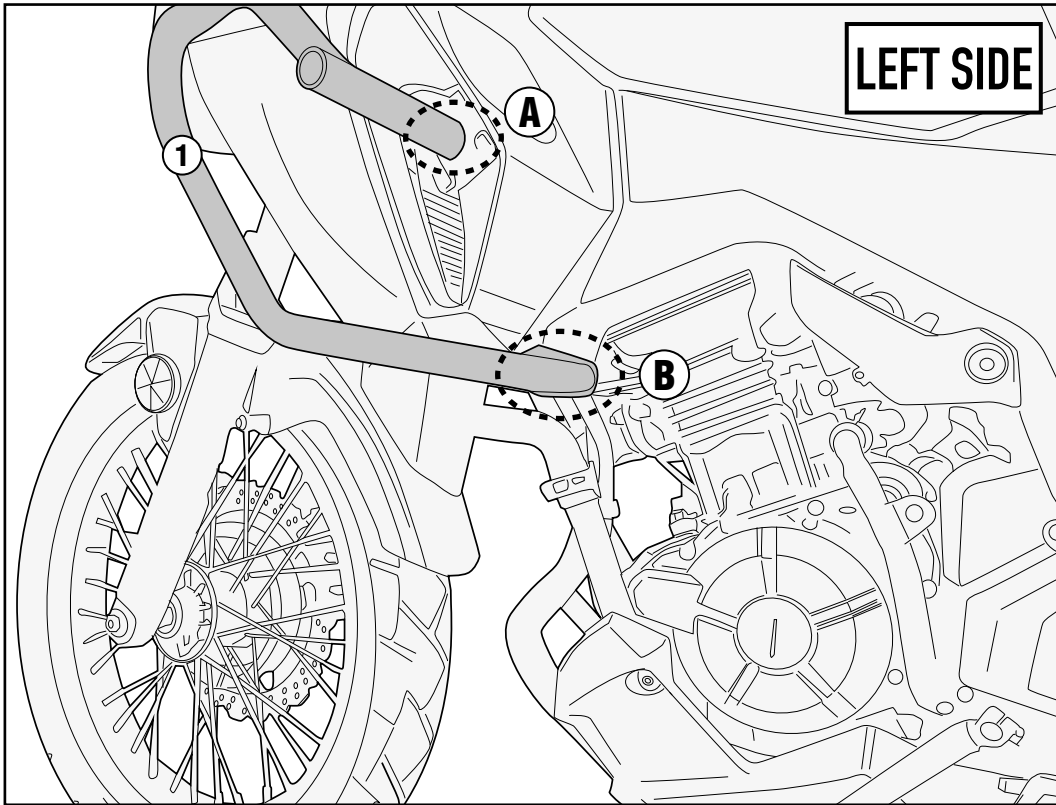
## KAWASAKI VERSYS - X 300 (2017)



# TN4121 - KN4121

SPECIFIC ENGINE GUARD

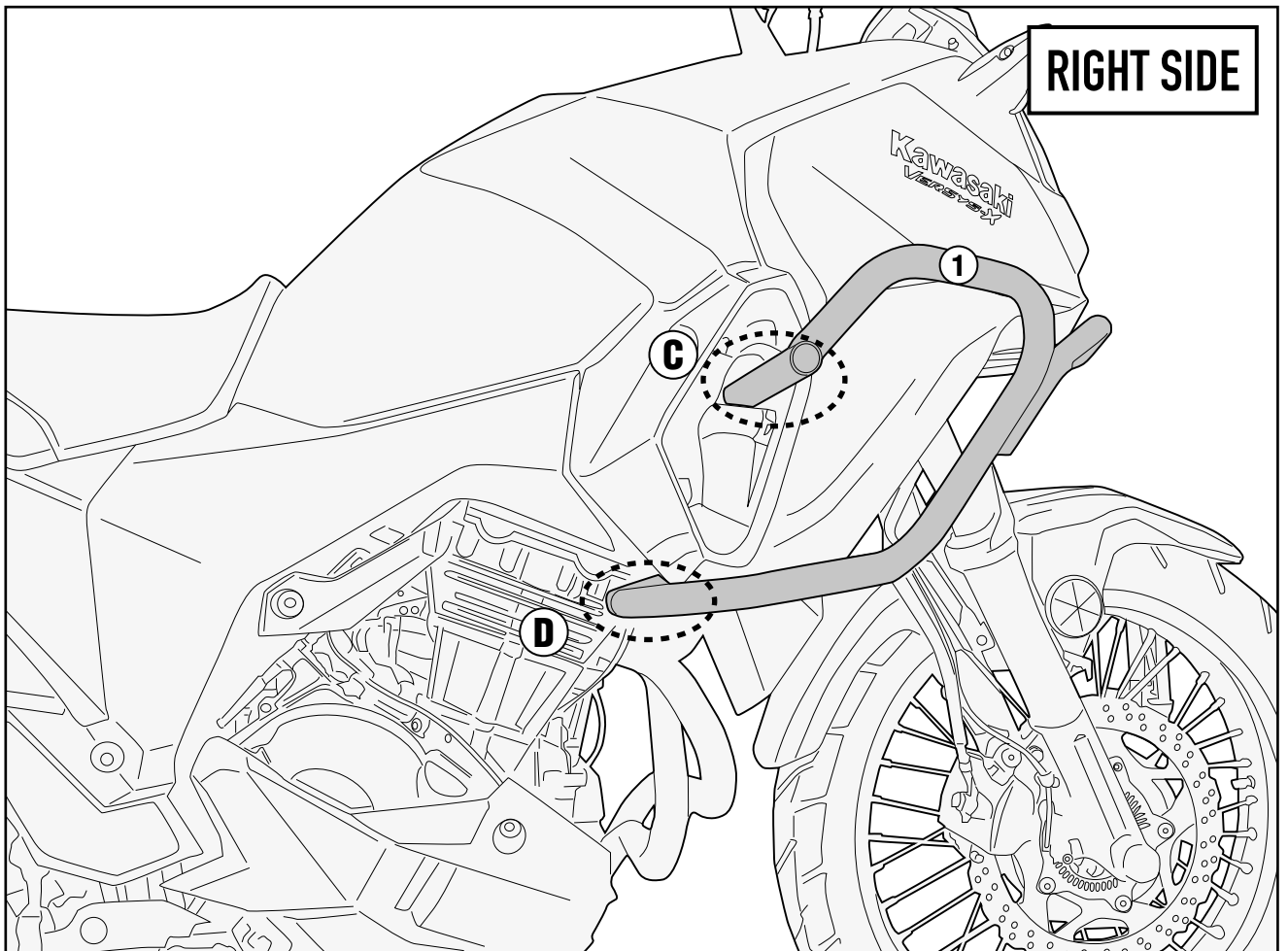
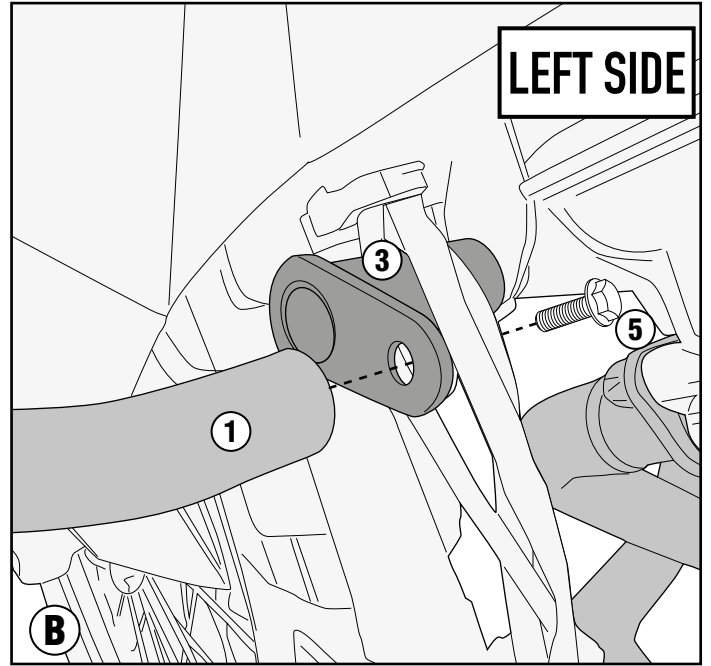
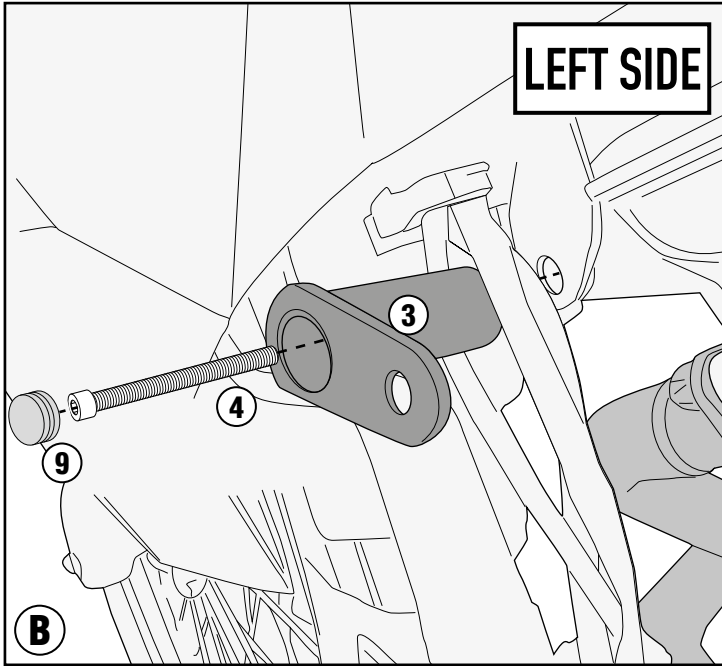
## KAWASAKI VERSYS - X 300 (2017)



# TN4121 - KN4121

SPECIFIC ENGINE GUARD

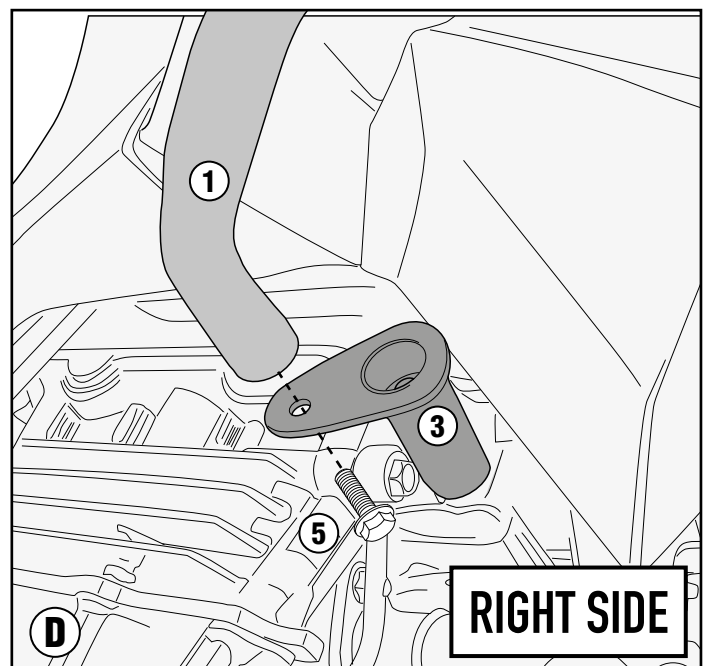
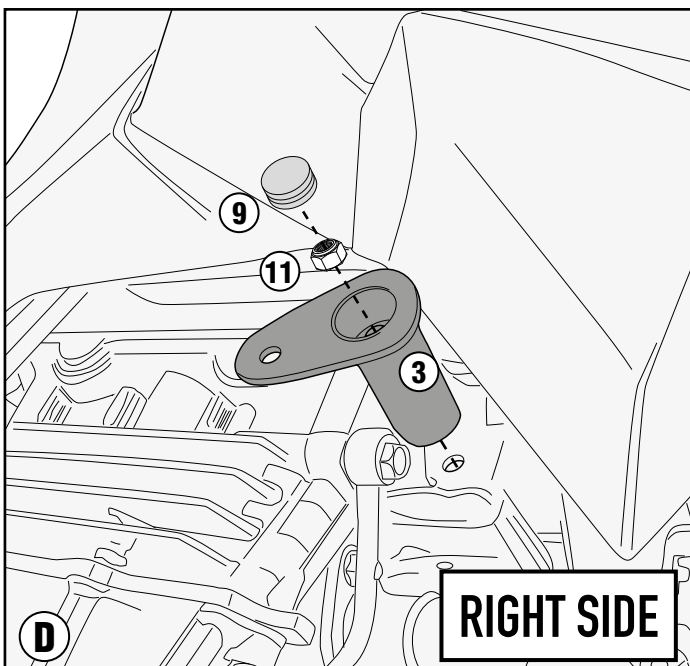
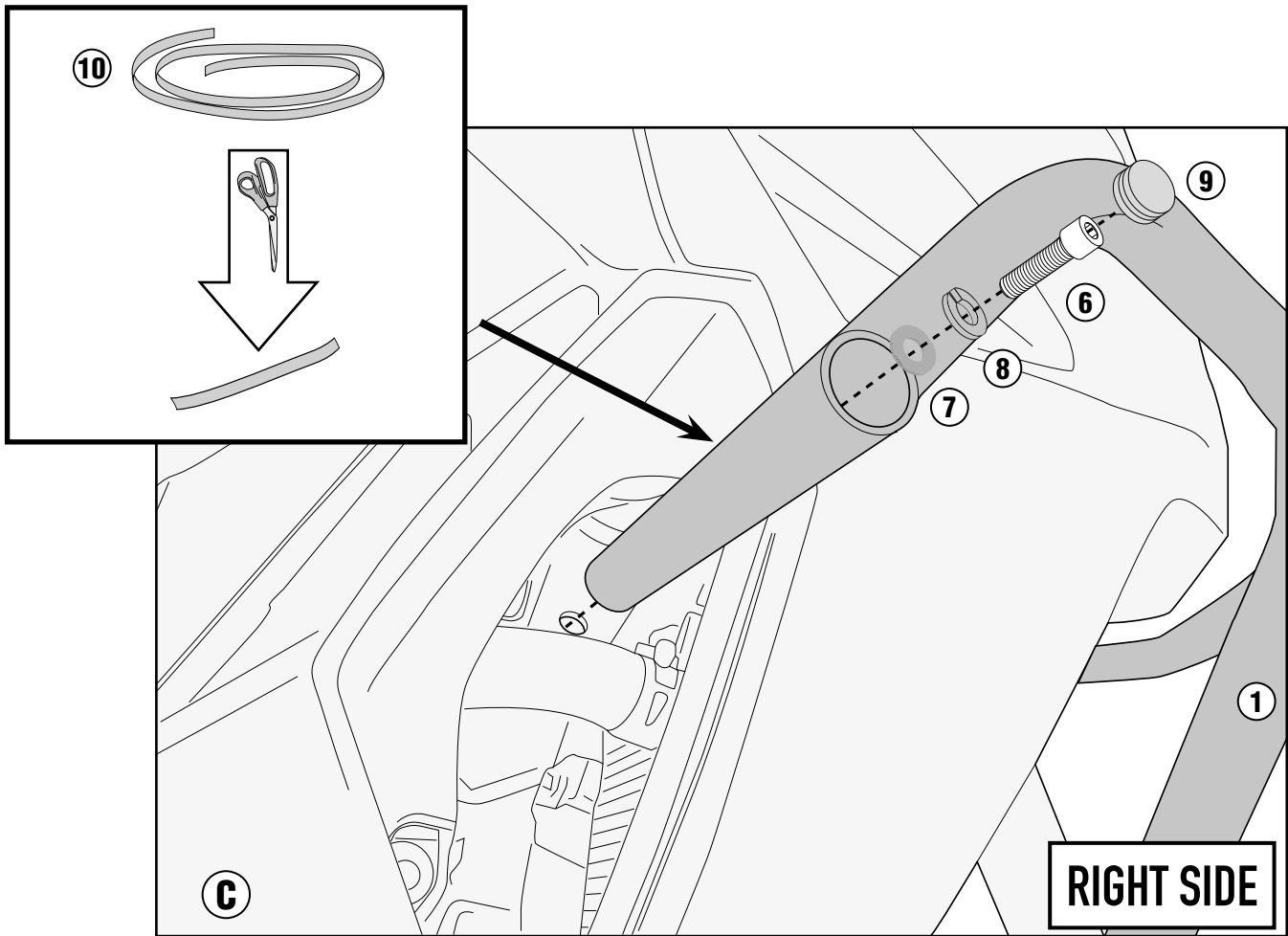
## KAWASAKI VERSYS - X 300 (2017)



# TN4121 - KN4121

SPECIFIC ENGINE GUARD

## KAWASAKI VERSYS - X 300 (2017)



# TN4121 - KN4121

SPECIFIC ENGINE GUARD

## KAWASAKI VERSYS - X 300 (2017)

