

TN4113 - KN4113

SPECIFIC ENGINE GUARD

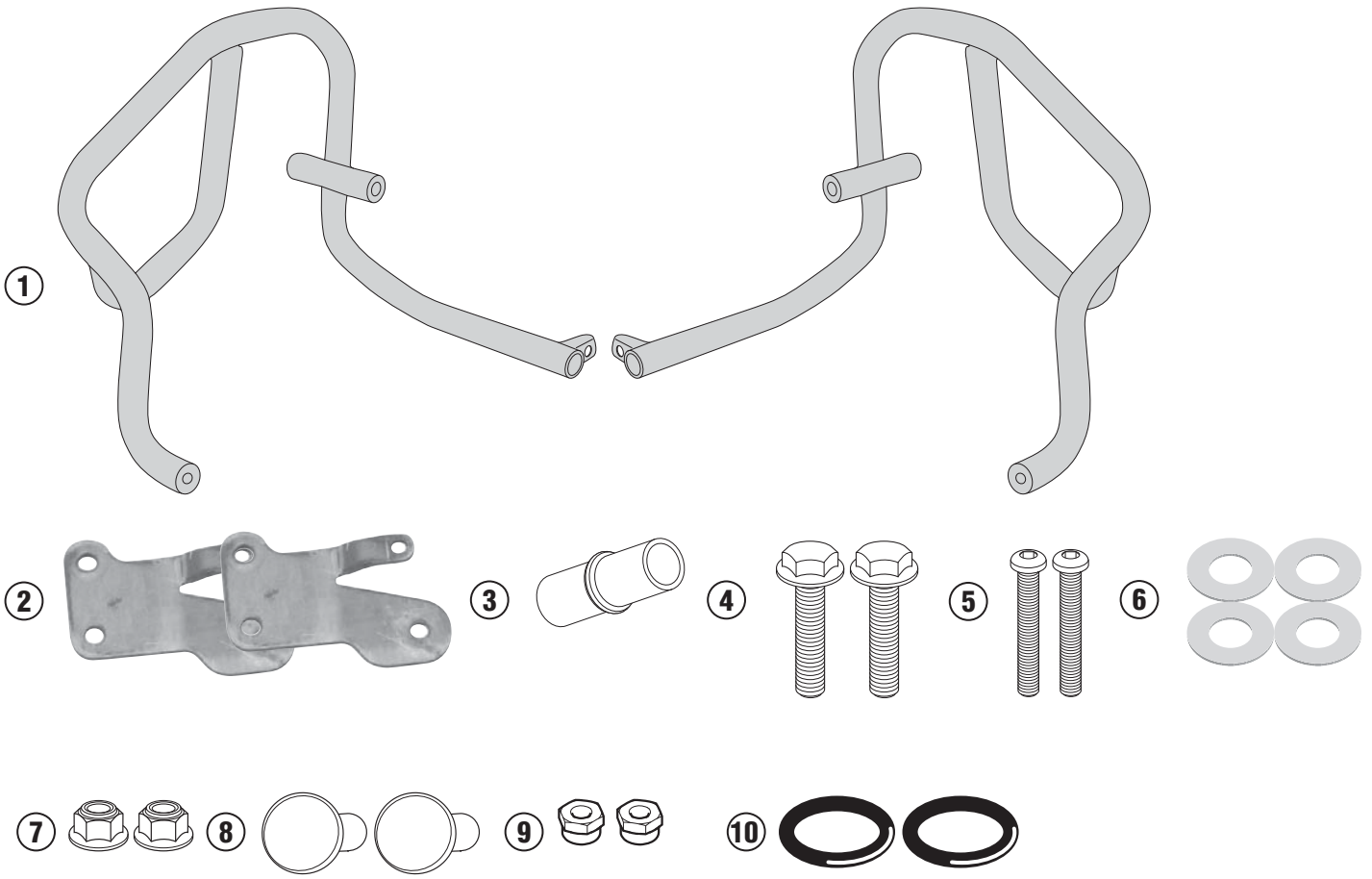
KAWASAKI VERSYS 1000 (2015)

N°	Description	Features	Code	Quantity
1	Engine Guard	-	4113TNDXS 4113TNSXS	2 (Dx,Sx)
2	Support	-	GL2082	2 (Dx,Sx)
3	Nipples	-	347TNFG	1
4	Screw	TEF M8x25	-	2
5	Screw	TBEI M6x35	-	2
6	Washer	Ø6	6RON	4
7	Bolt	Auto Bloccante Flangiato M5	-	2
8	Cap	-	Z2160	2
9	Bolt	Auto Bloccante Ribassato M6	6DADIB	2
10	O-Ring	-	Z2161	2
11	Original parts	-	-	-

TN4113 - KN4113

SPECIFIC ENGINE GUARD

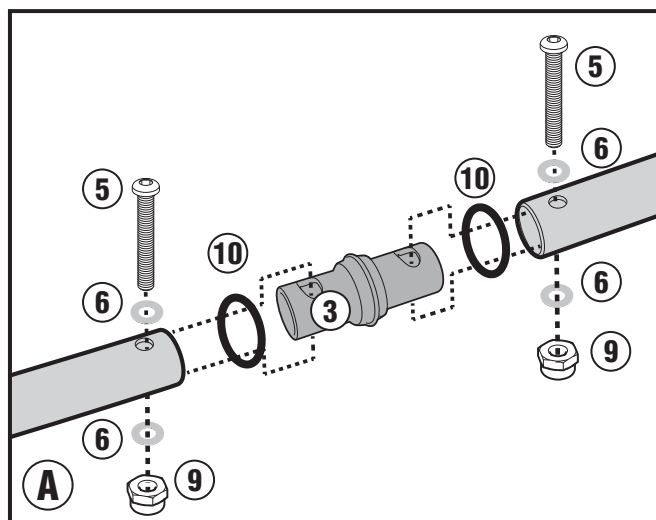
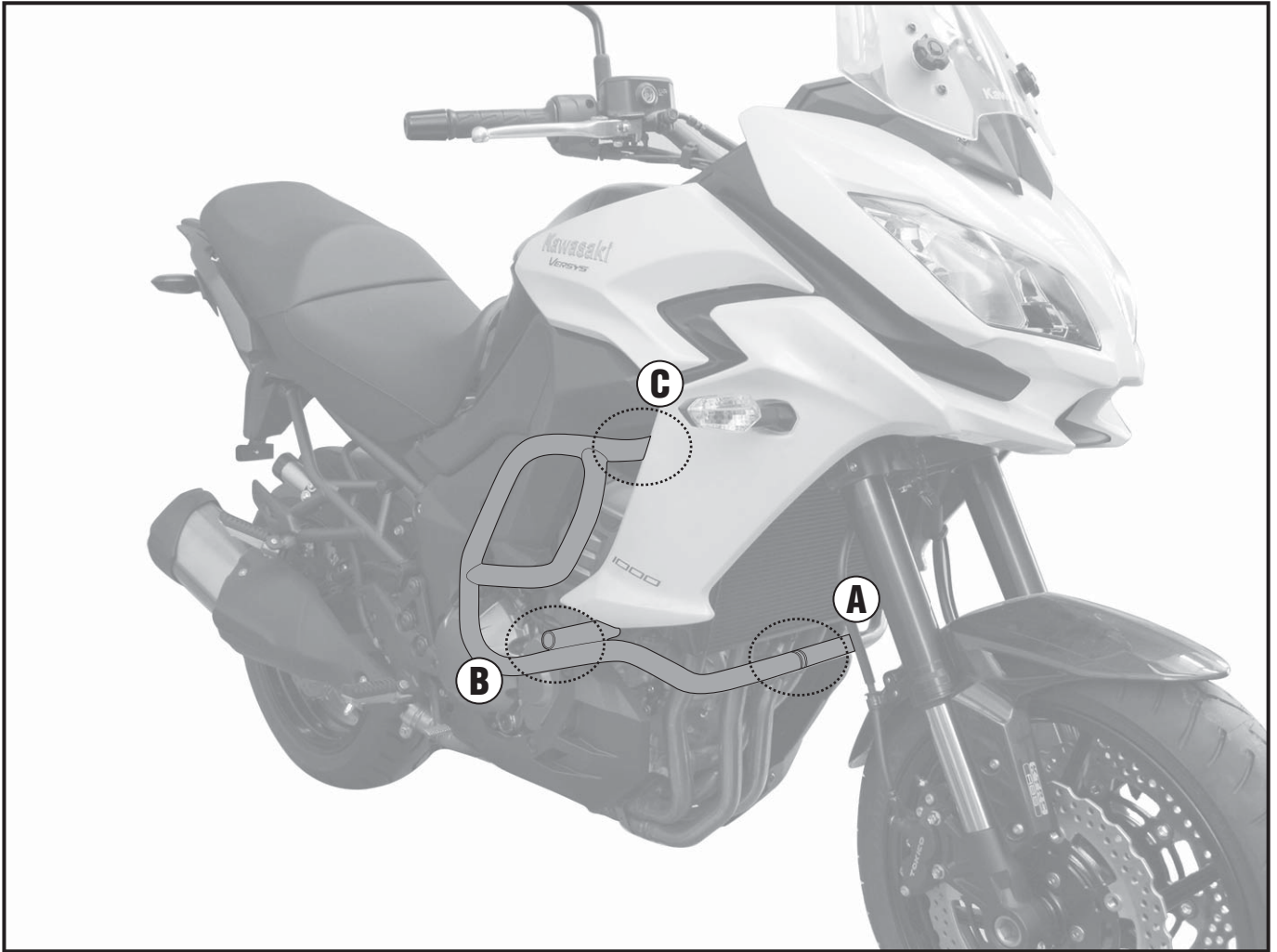
KAWASAKI VERSYS 1000 (2015)



TN4113 - KN4113

SPECIFIC ENGINE GUARD

KAWASAKI VERSYS 1000 (2015)



TN4113 - KN4113
SPECIFIC ENGINE GUARD
KAWASAKI VERSYS 1000 (2015)

