

TN3117 - KN3117

SPECIFIC ENGINE GUARD

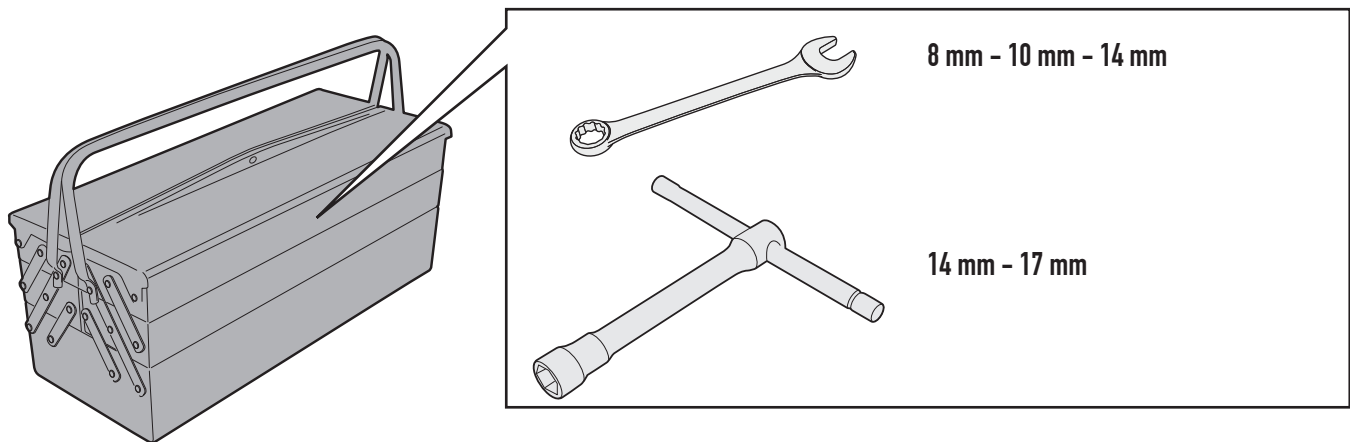
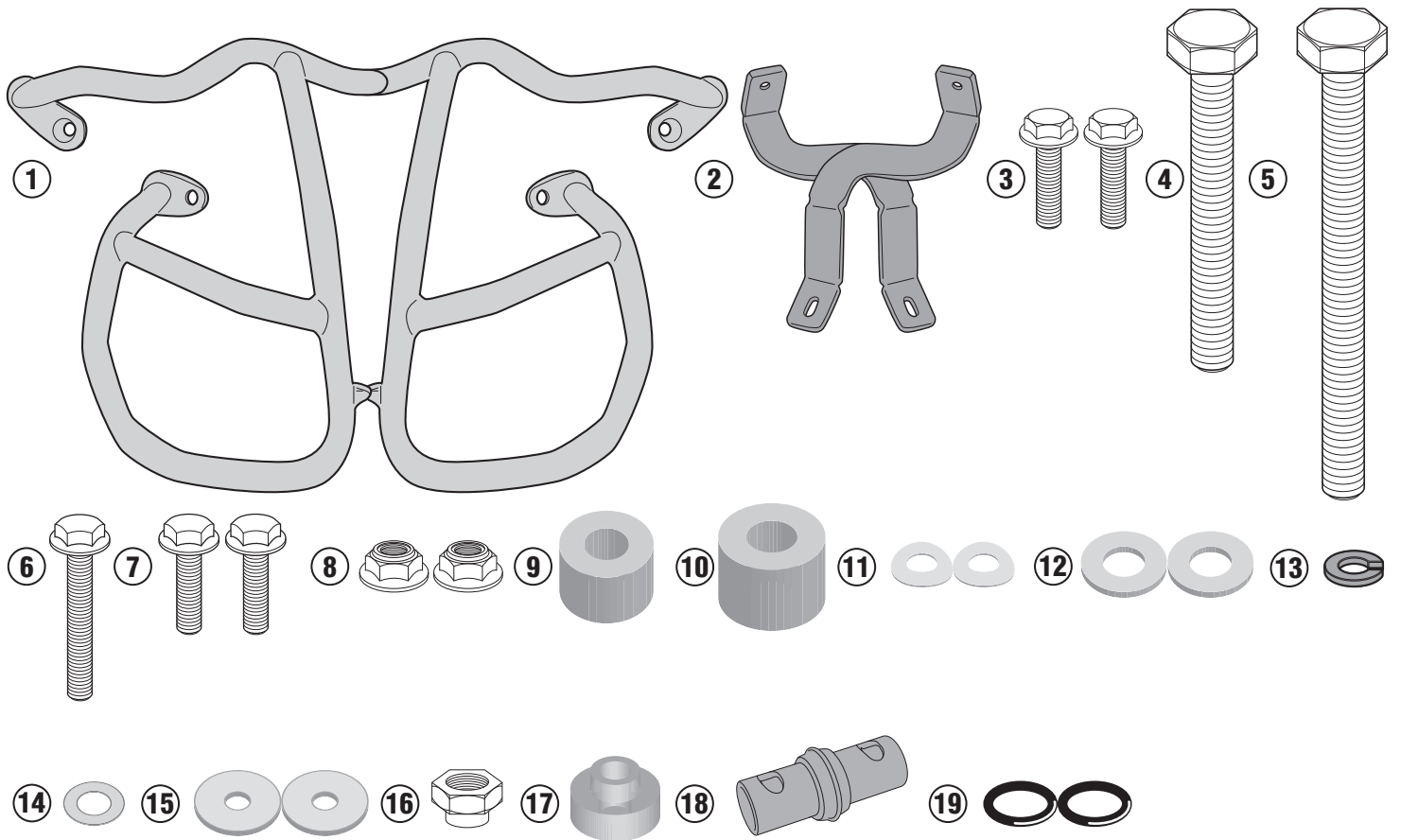
SUZUKI V STROM 1050 (2020)

N°	Description	Features	Code	Quantity
1	Engine Guard	-	TN3117DXV TN3117SXV	2 (Right:Left)
2	Support	-	GL4420DXV GL4420SXV	2 (Right:Left)
3	Screw	TECF M6x20	620TECF	2
4	Screw	TE M10x70 passo 1,25	1070TES	1
5	Screw	TE M10x100 passo 1,25	10100TES	1
6	Screw	TEN M6x35	635TEN	1
7	Screw	TEFLN M6x20	620TEFLN	2
8	Bolt	Dado Auto Bloccante Flangiato Ribassato M6	6DADIABFN	2
9	Spacer	Ø20x15 Foro 10,5mm	C20L15F10,5T	1
10	Spacer	Ø22x20 Foro 10,5mm	C22L20F10,5T	1
11	Washer	-	618RONP	2
12	Washer	Ø10mm	10RON	2
13	Split washer	Ø8mm	Z1063	1
14	Stainless Steel Washer	Foro Ø8mm Esterno Ø14mm Sp.0,3mm	805RONX	1
15	Washer	Foro Ø6mm Esterno Ø20mm Sp.1,5mm	620RON	2
16	Spacer	Ø14x10 ribassato Ø8x3 foro M6	V258	1
17	Spacer		V064	1
18	Nipples	-	V906N	1
19	O - Ring	-	Z2161	2
20	Original Parts	-	-	-

TN3117 - KN3117

SPECIFIC ENGINE GUARD

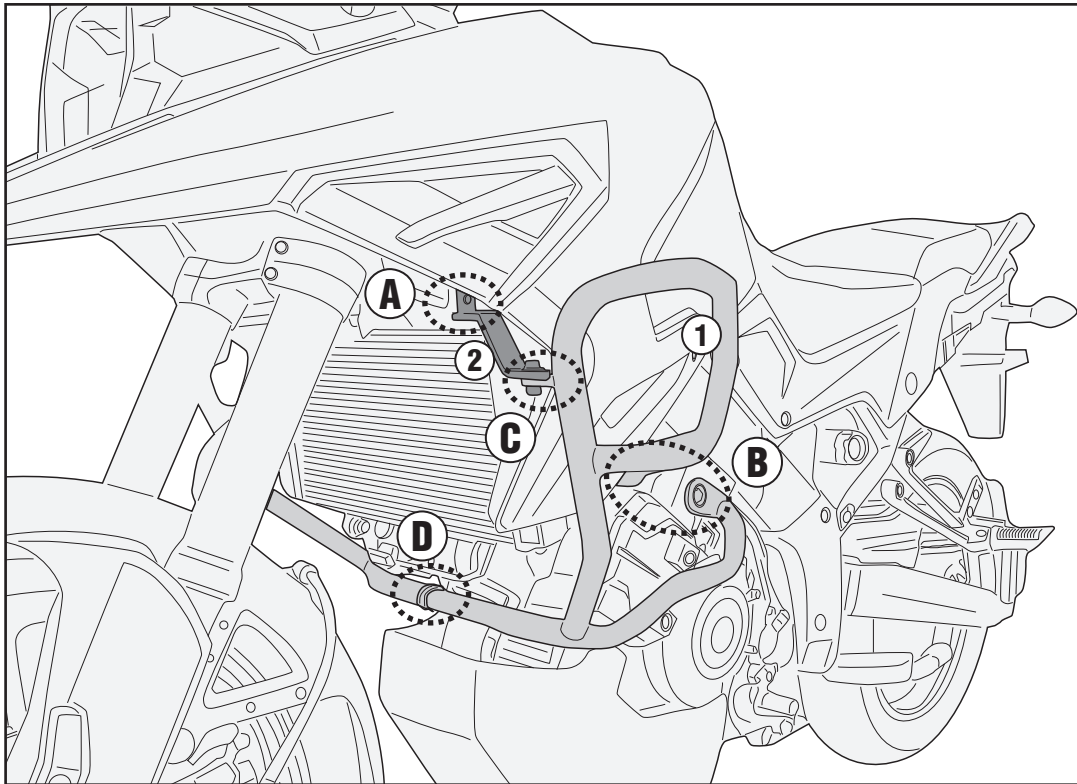
SUZUKI V STROM 1050 (2020)



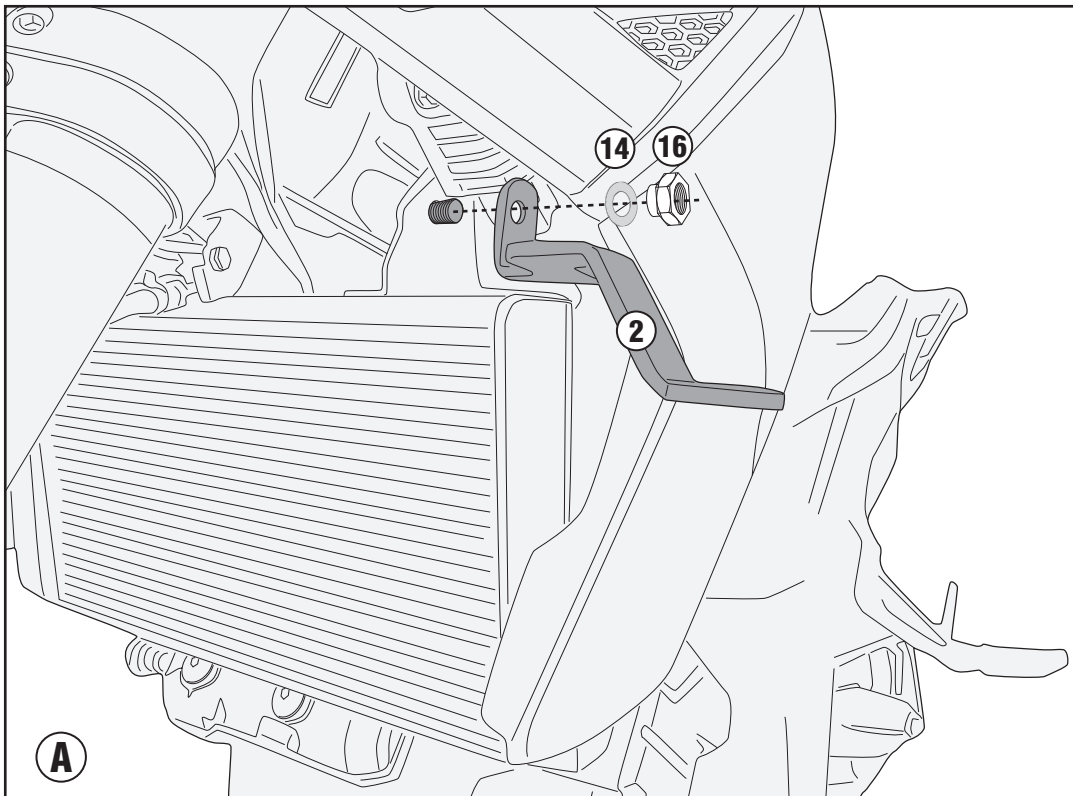
TN3117 - KN3117

SPECIFIC ENGINE GUARD

SUZUKI V STROM 1050 (2020)



LEFT SIDE

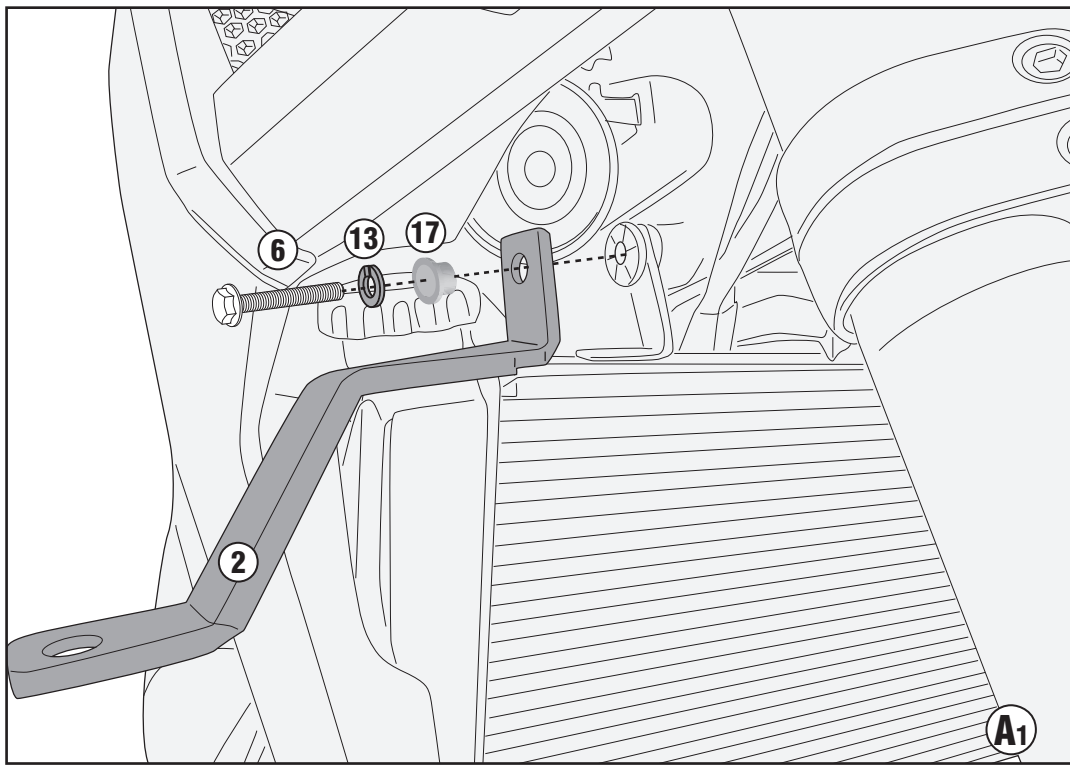


TN3117 - KN3117

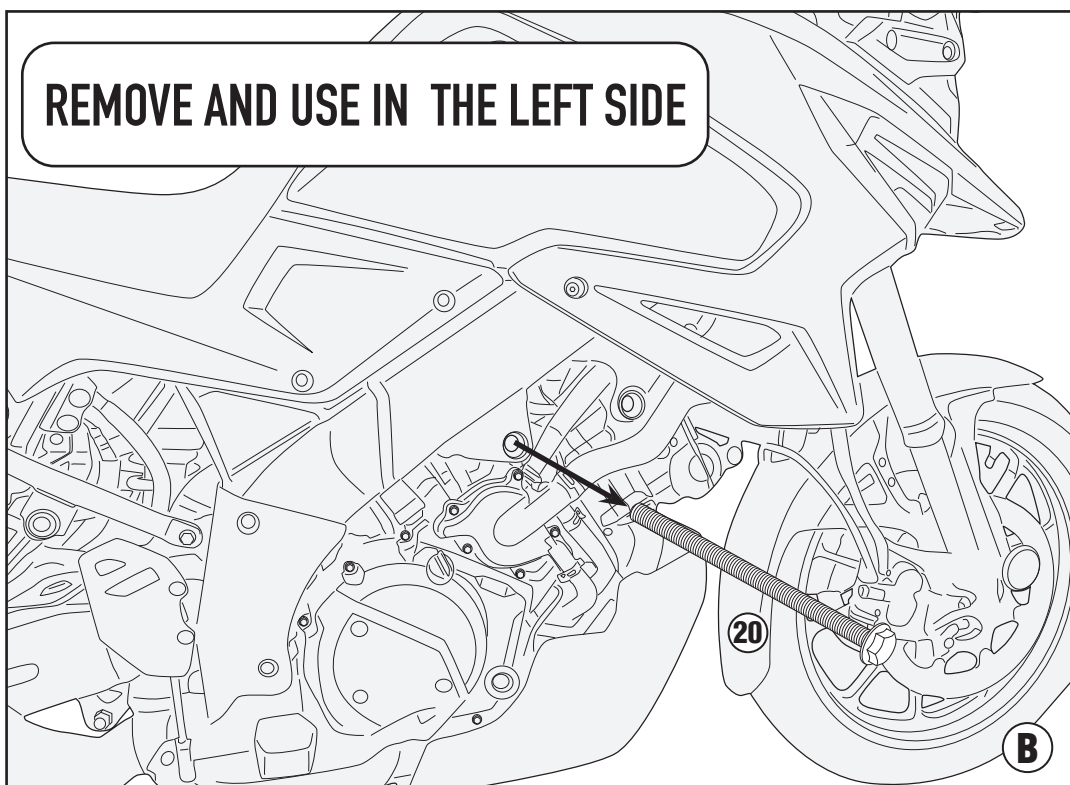
SPECIFIC ENGINE GUARD

SUZUKI V STROM 1050 (2020)

RIGHT SIDE



RIGHT SIDE

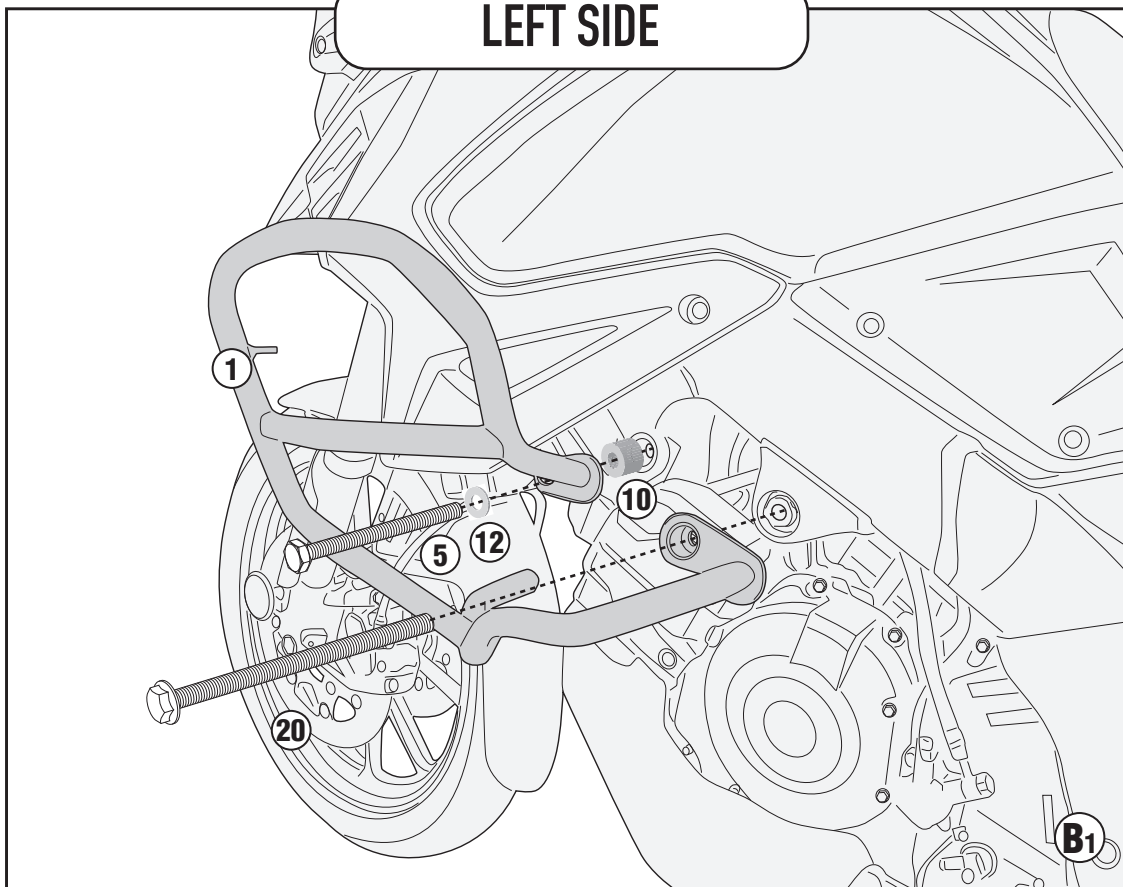


TN3117 - KN3117

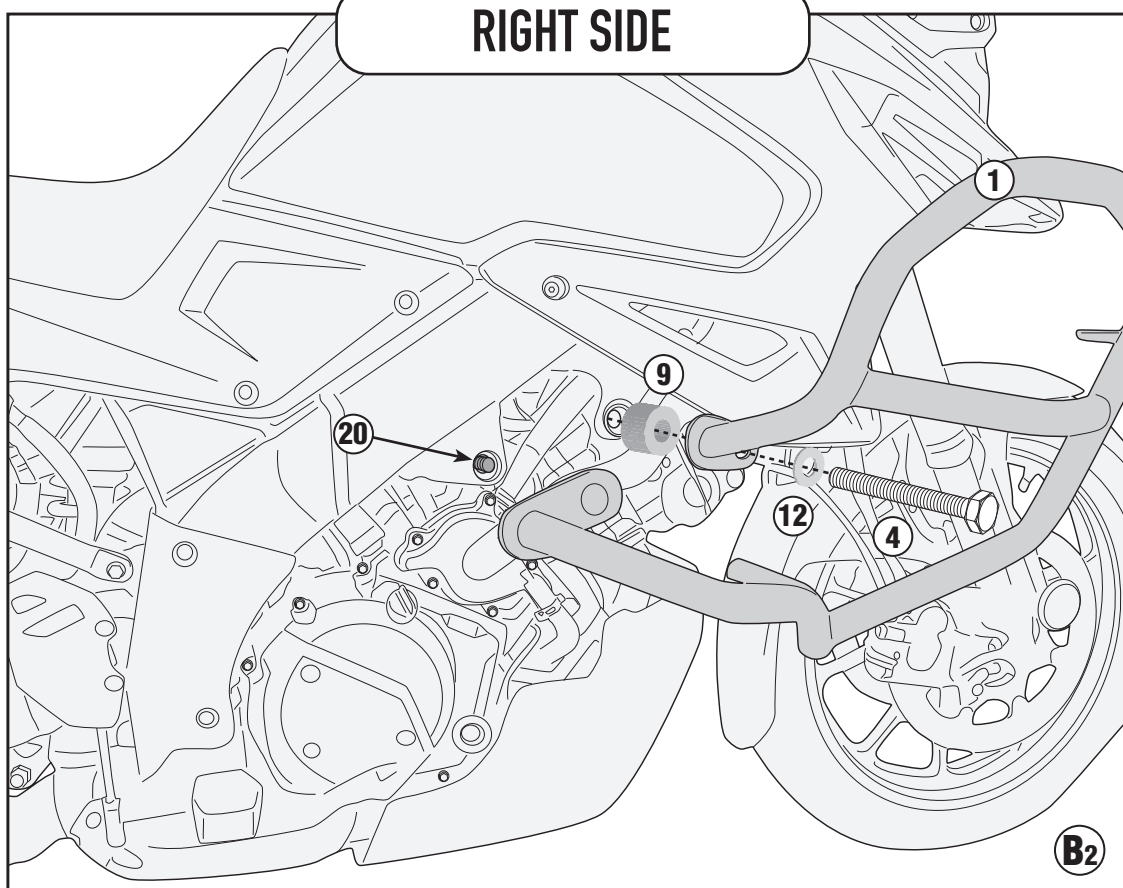
SPECIFIC ENGINE GUARD

SUZUKI V STROM 1050 (2020)

LEFT SIDE



RIGHT SIDE



TN3117 - KN3117
SPECIFIC ENGINE GUARD
SUZUKI V STROM 1050 (2020)

LEFT SIDE / RIGHT SIDE

