

TN2145 - KN2145

SPECIFIC ENGINE GUARD

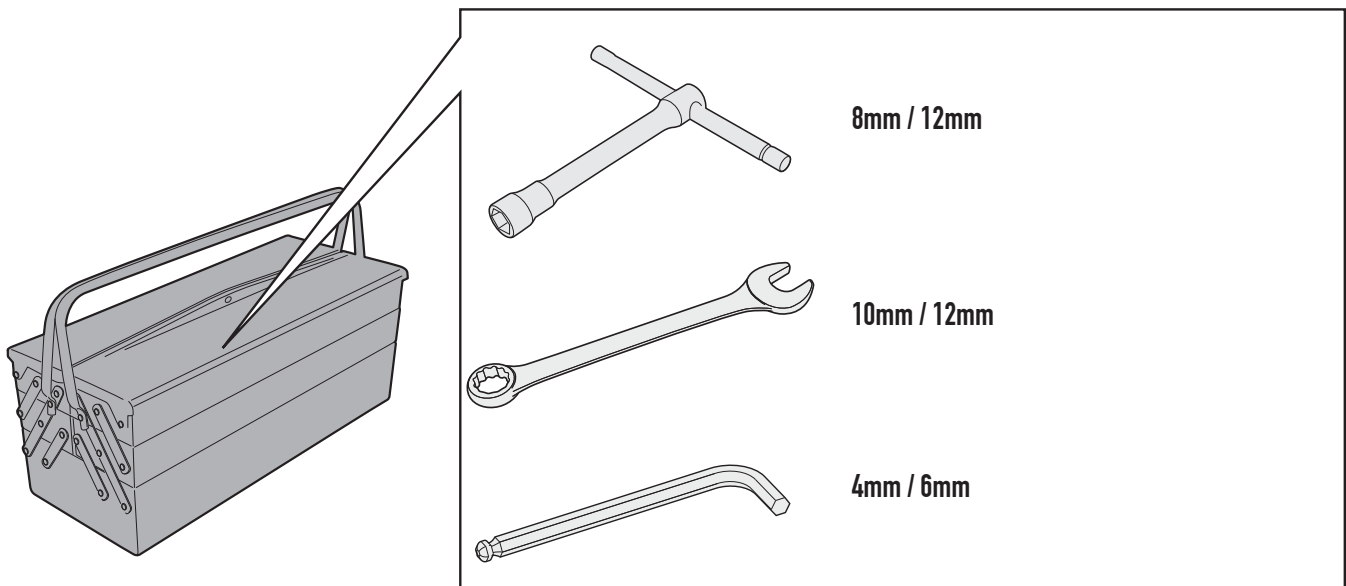
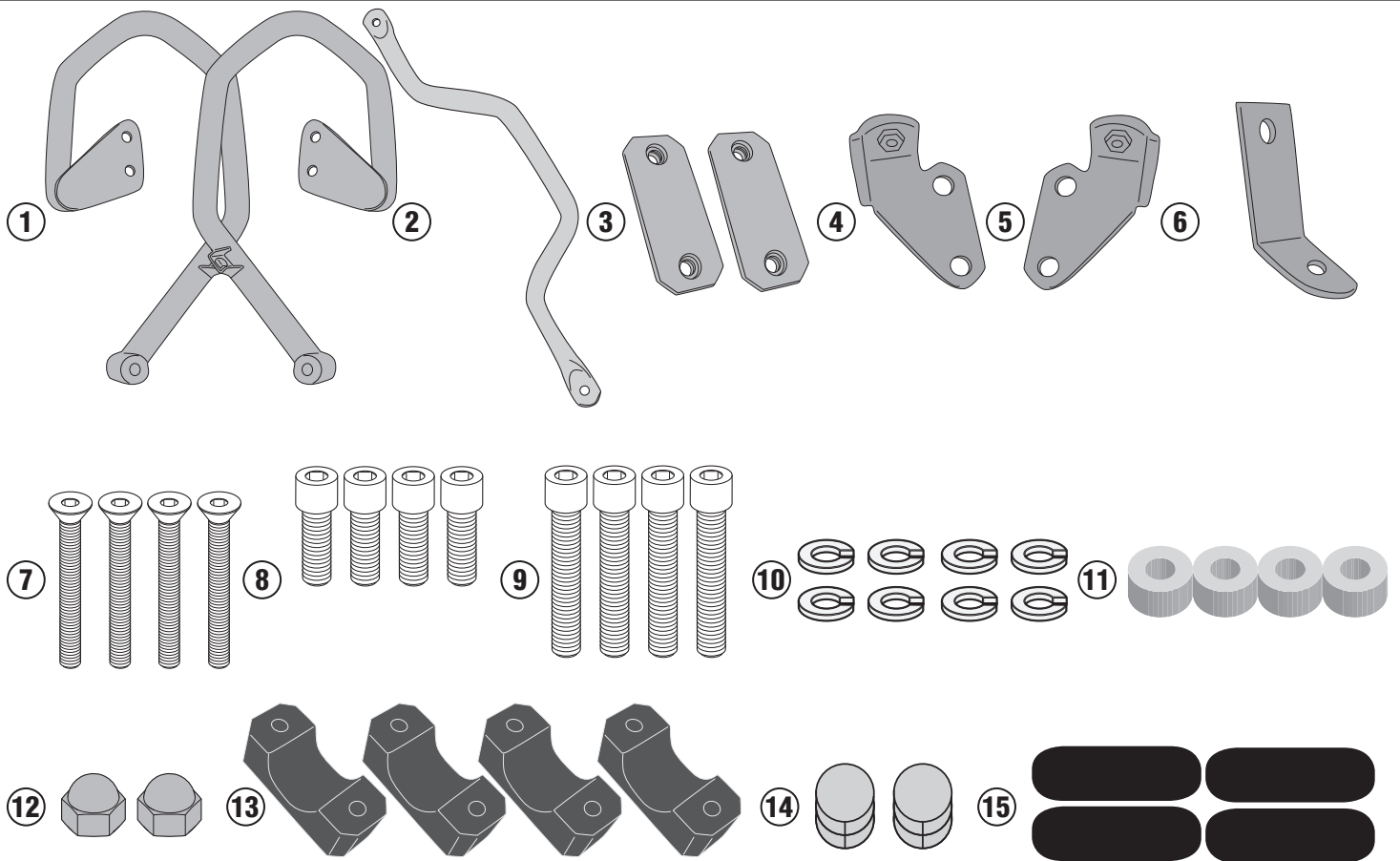
YAMAHA Ténéré 700 (2019)

N°	Description	Features	Code	Quantity
1	Engine Guard	-	TN2145DXV TN2145SXV	2(Left;Right)
2	Bridge	-	GNB2393V	1
3	Support plate	-	GL2560V	2
4	Lower support	RIGHT SIDE	GL4327V	1
5	Lower support	LEFT SIDE	GL4329V	1
6	Support plate	-	GL4330V	1
7	Screw	TSP M6x50	650TSP	4
8	Screw	TCEI M8x20	820TCEI	4
9	Screw	TCEI M8x45	845TCEI	4
10	Split washer	Foro Ø8	Z1060	8
11	Spacer	Ø18x10 Foro 8,5mm	C18L10F8,5T	4
12	Bolt	DADO CIECO	8DADIC	2
13	Retaining clamp	-	Z2269	4
14	Cap	-	Z2TAPBA	2
15	Adhesive Protection	-	Z2388	4
16	Original Parts	-	-	-

TN2145 - KN2145

SPECIFIC ENGINE GUARD

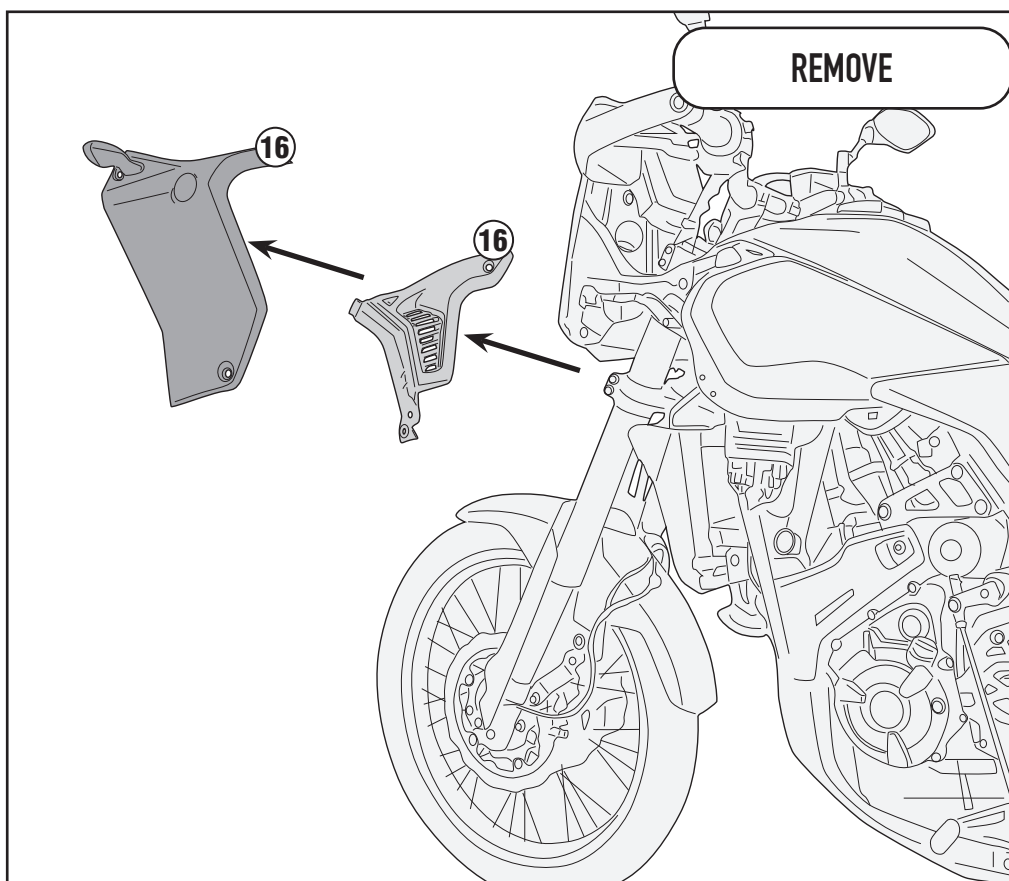
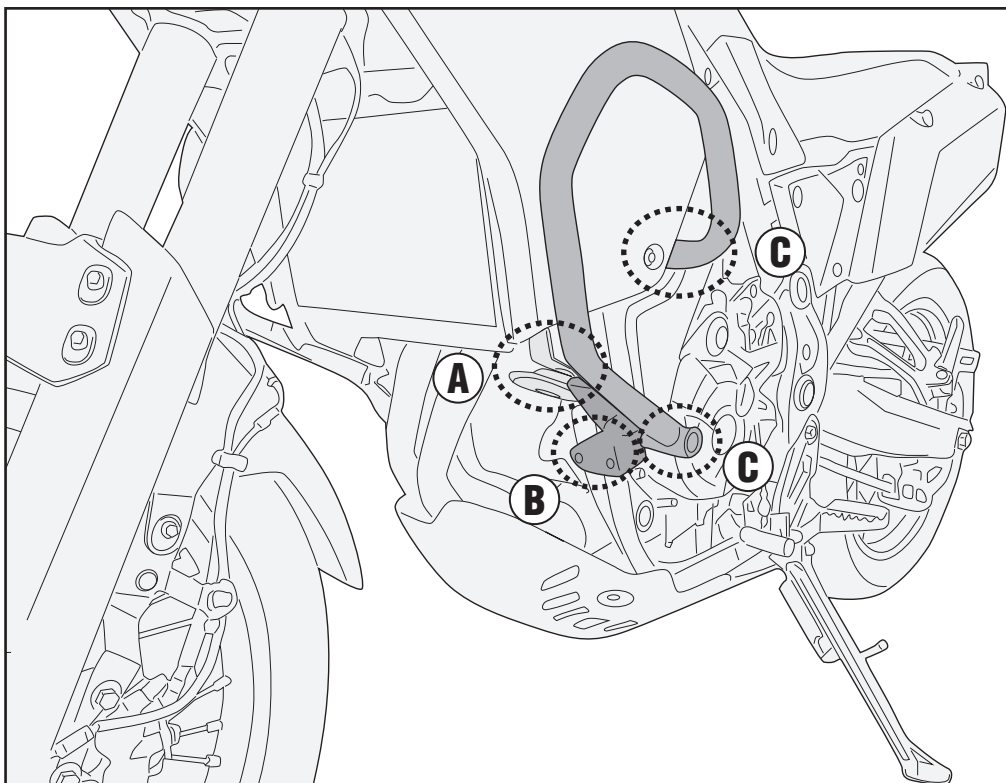
YAMAHA Ténéré 700 (2019)



TN2145 - KN2145

SPECIFIC ENGINE GUARD

YAMAHA Ténéré 700 (2019)

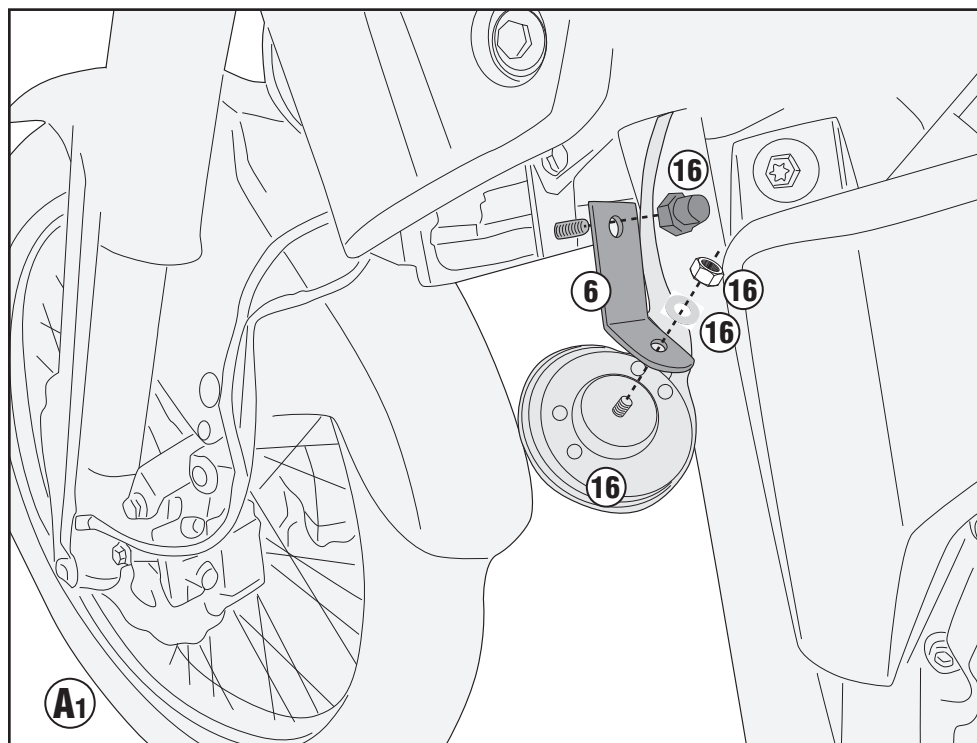
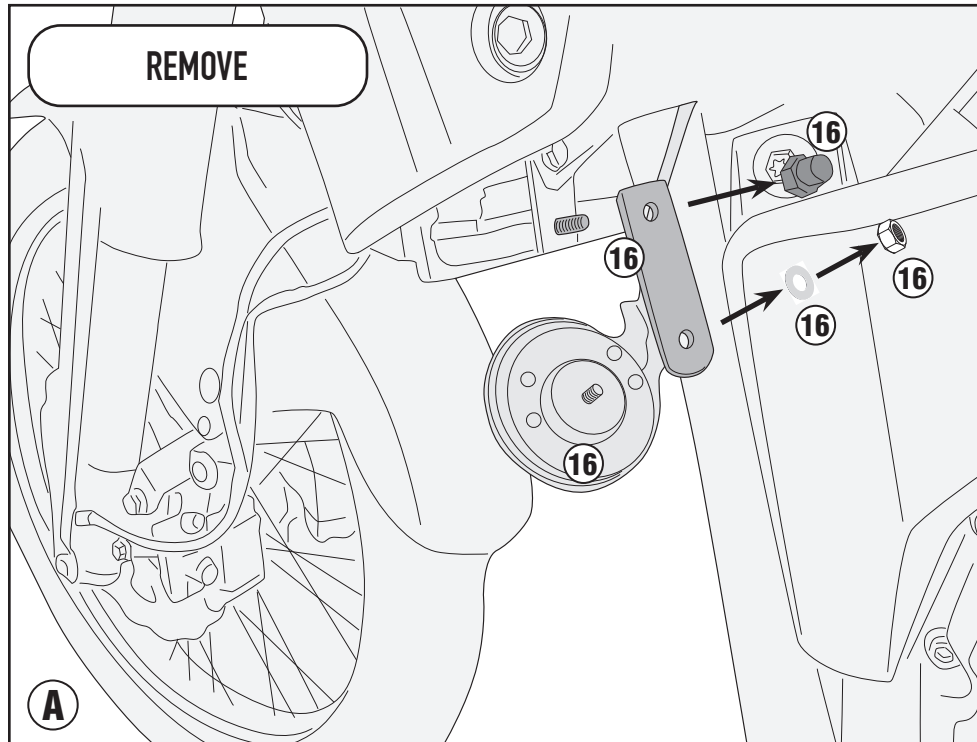


TN2145 - KN2145

SPECIFIC ENGINE GUARD

YAMAHA Ténéré 700 (2019)

RIGHT SIDE



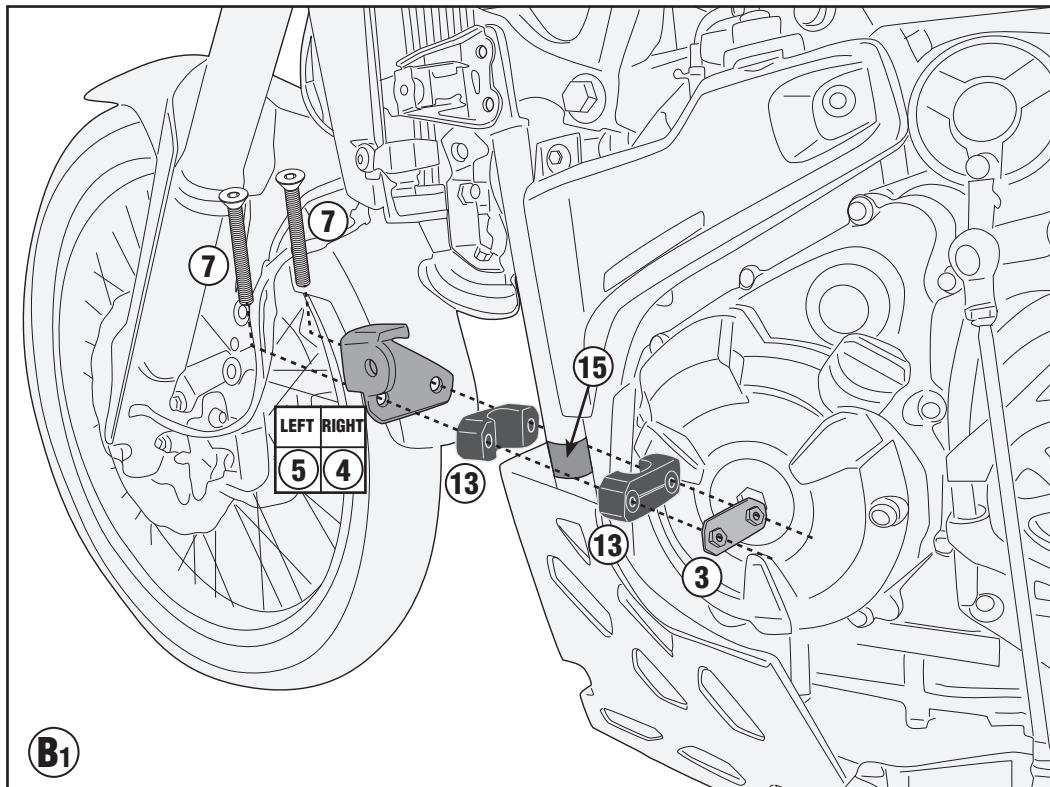
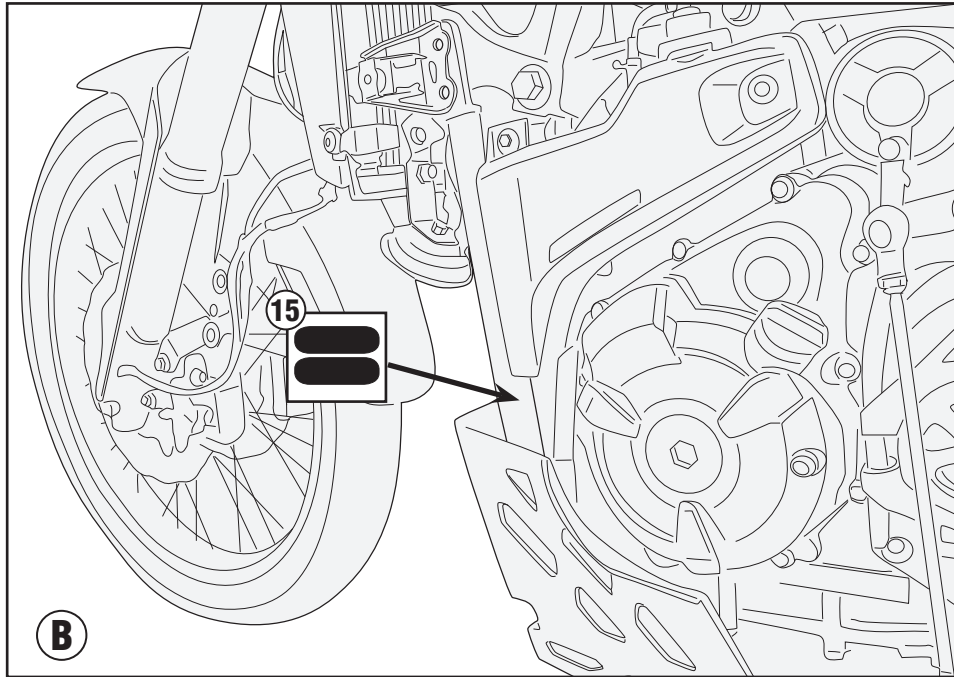
TN2145 - KN2145

SPECIFIC ENGINE GUARD

YAMAHA Ténéré 700 (2019)

LEFT SIDE

RIGHT SIDE



TN2145 - KN2145

SPECIFIC ENGINE GUARD

YAMAHA Ténéré 700 (2019)

