

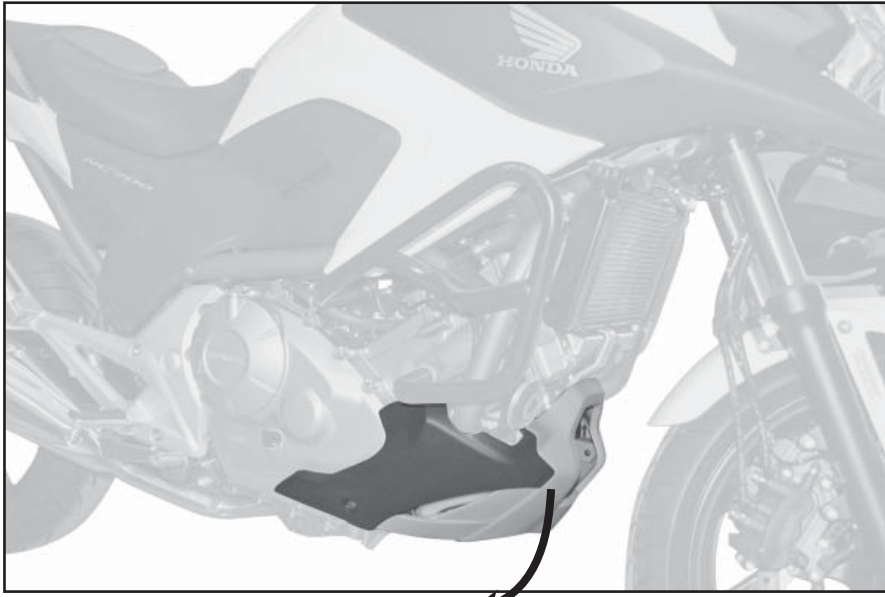
TN1111 - KN1111

SPECIFIC ENGINE GUARD

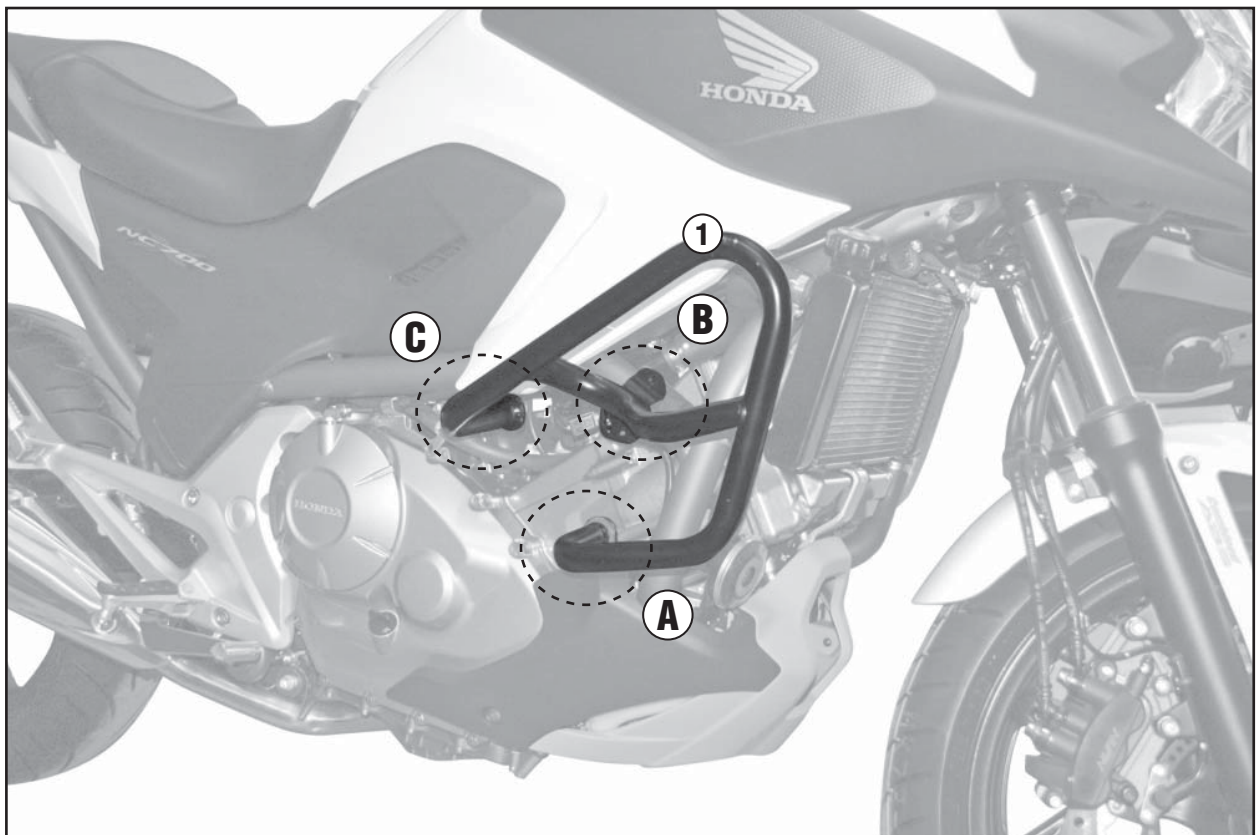
HONDA NC700X (2012)

N°	Description	Features	Code	Quantity	
1	Engine Guard	-	-	2 (Dx,Sx)	
2	Support		GL2108	2 (Dx,Sx)	
3	Support			2 (Dx,Sx)	
4	Screw	TEF M8x20mm	-	2	
5	Screw	TEF M6x16	-	4	
6	Adhesive Protection	(35x100)mm	Z2086	2	
7	Original parts	-	-	-	

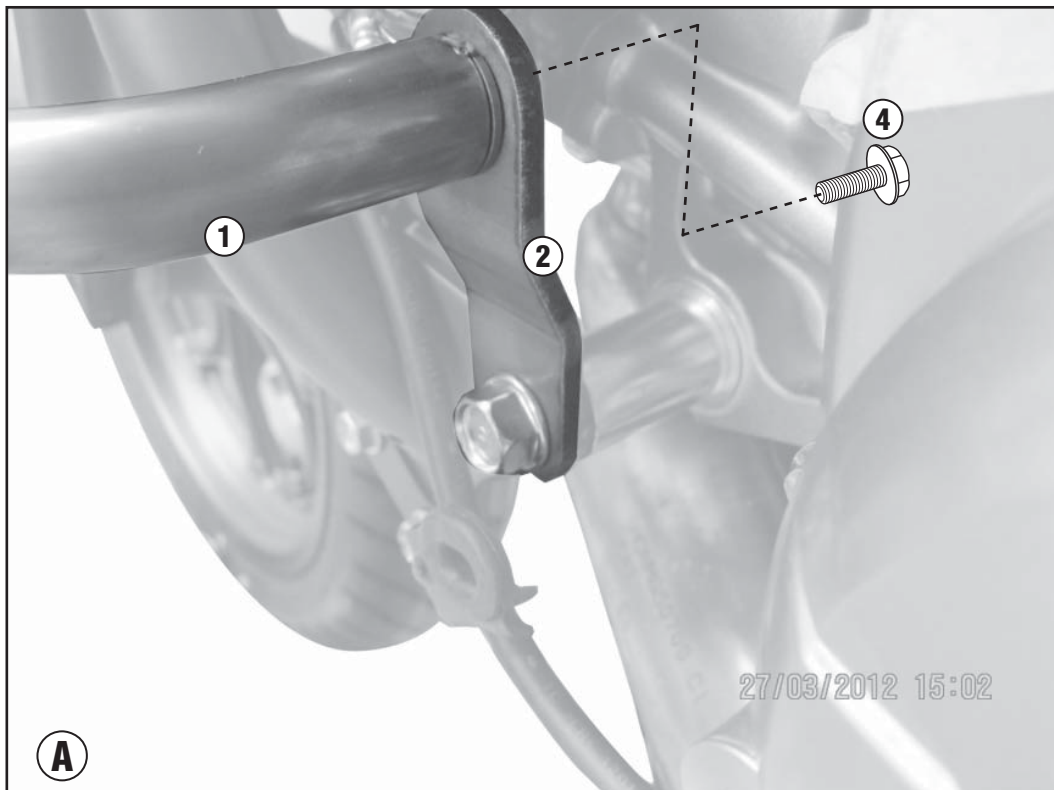
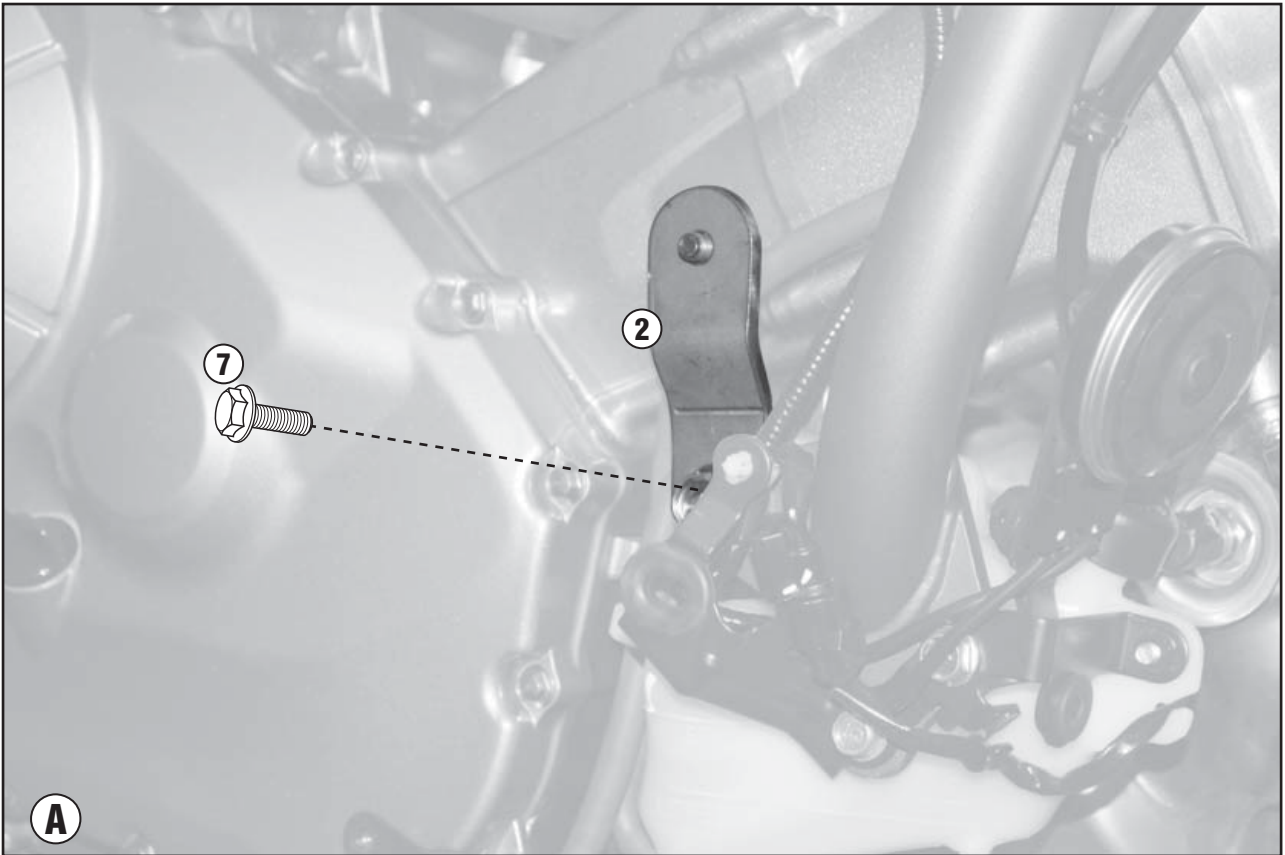
TN1111 - KN1111
SPECIFIC ENGINE GUARD
HONDA NC700X (2012)



REMOVE



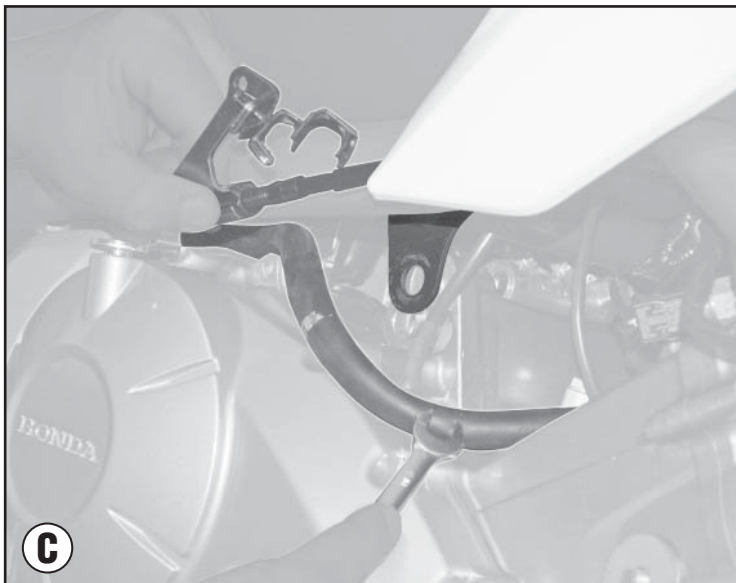
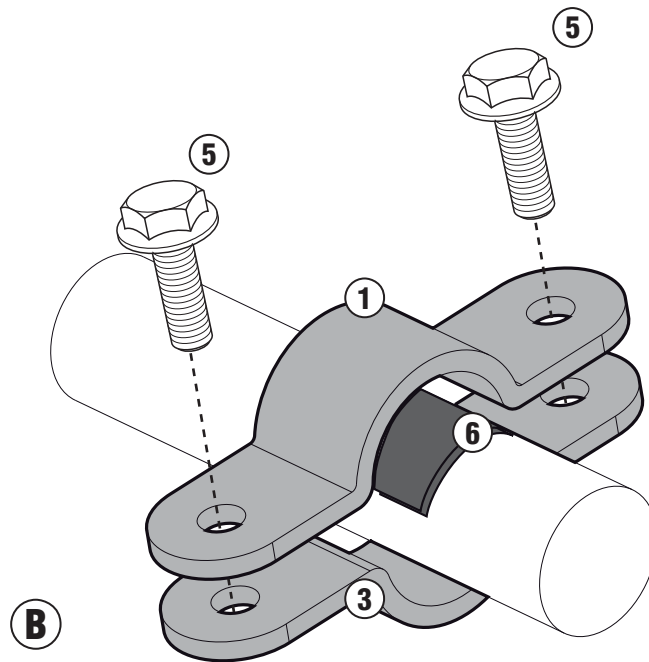
TN1111 - KN1111
SPECIFIC ENGINE GUARD
HONDA NC700X (2012)



TN1111 - KN1111

SPECIFIC ENGINE GUARD

HONDA NC700X (2012)



Remove before unscrewing the original screw

