

RP5129 – RP5129K

OIL CARTER PROTECTOR

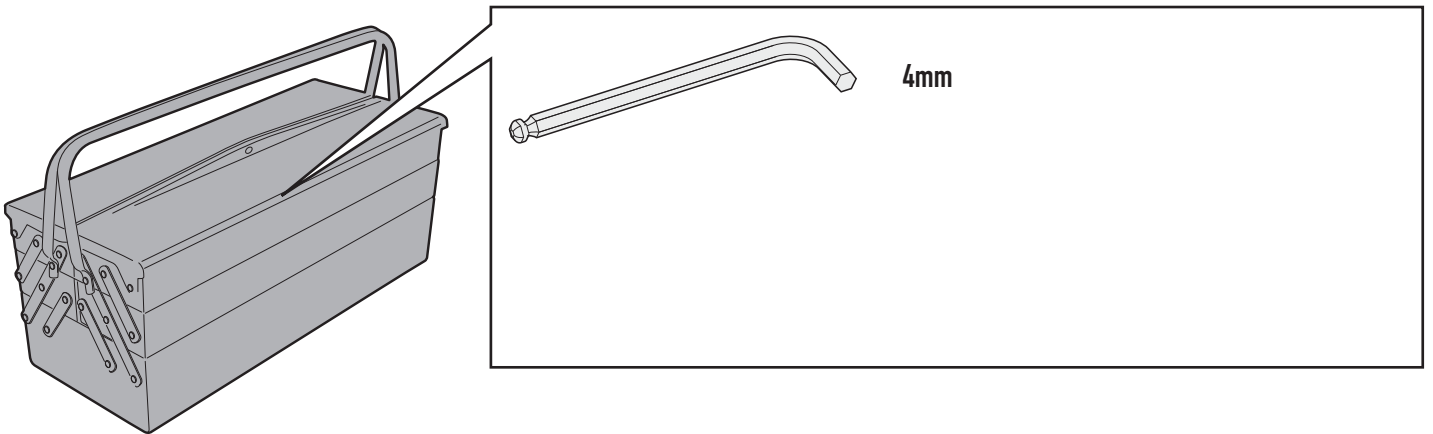
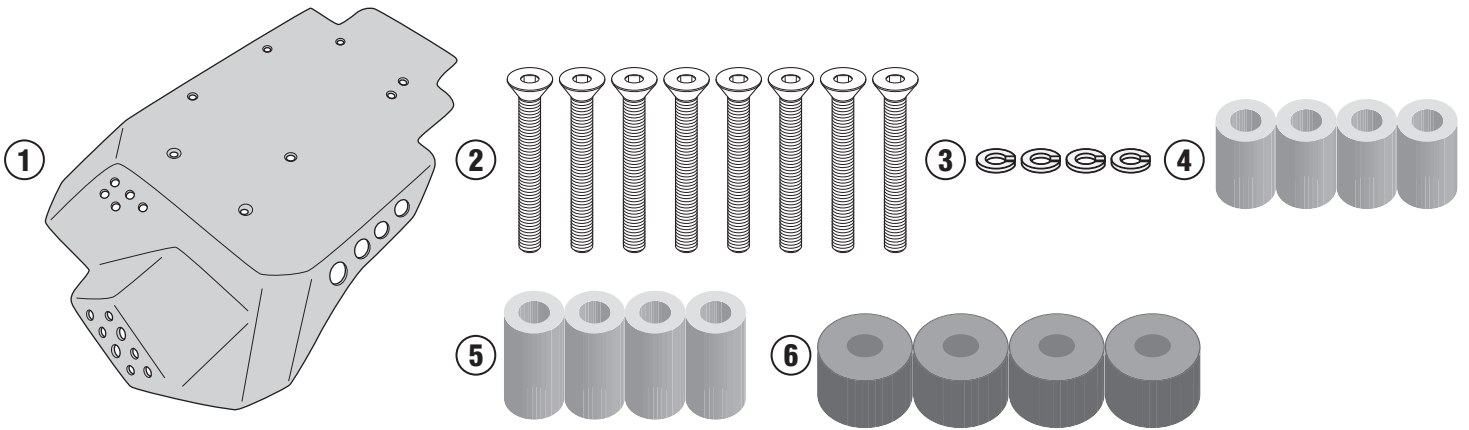
BMW F750 GS (2018/2019) / BMW F850GS (2018/2019)

N°	Description	Features	Code	Quantity
1	Oil Carter Protector	-	RP5129	1
2	Screw	TSP M6x45	645TSP	8
3	Split washer	Ø6	Z1063	4
4	Spacer	Ø16x25 Foro 8.5mm	C16L25F8,5T	4
5	Spacer	Ø16x32 Foro 8.5mm	C16L32F8,5T	4
6	Silent Block	M6 25x25	-	4
7	Original Parts	ONLY FOR BMW F850GS	-	-
8	Components Included In The RP5129KIT	ONLY FOR BMW F750GS	-	-

RP5129 - RP5129K

OIL CARTER PROTECTOR

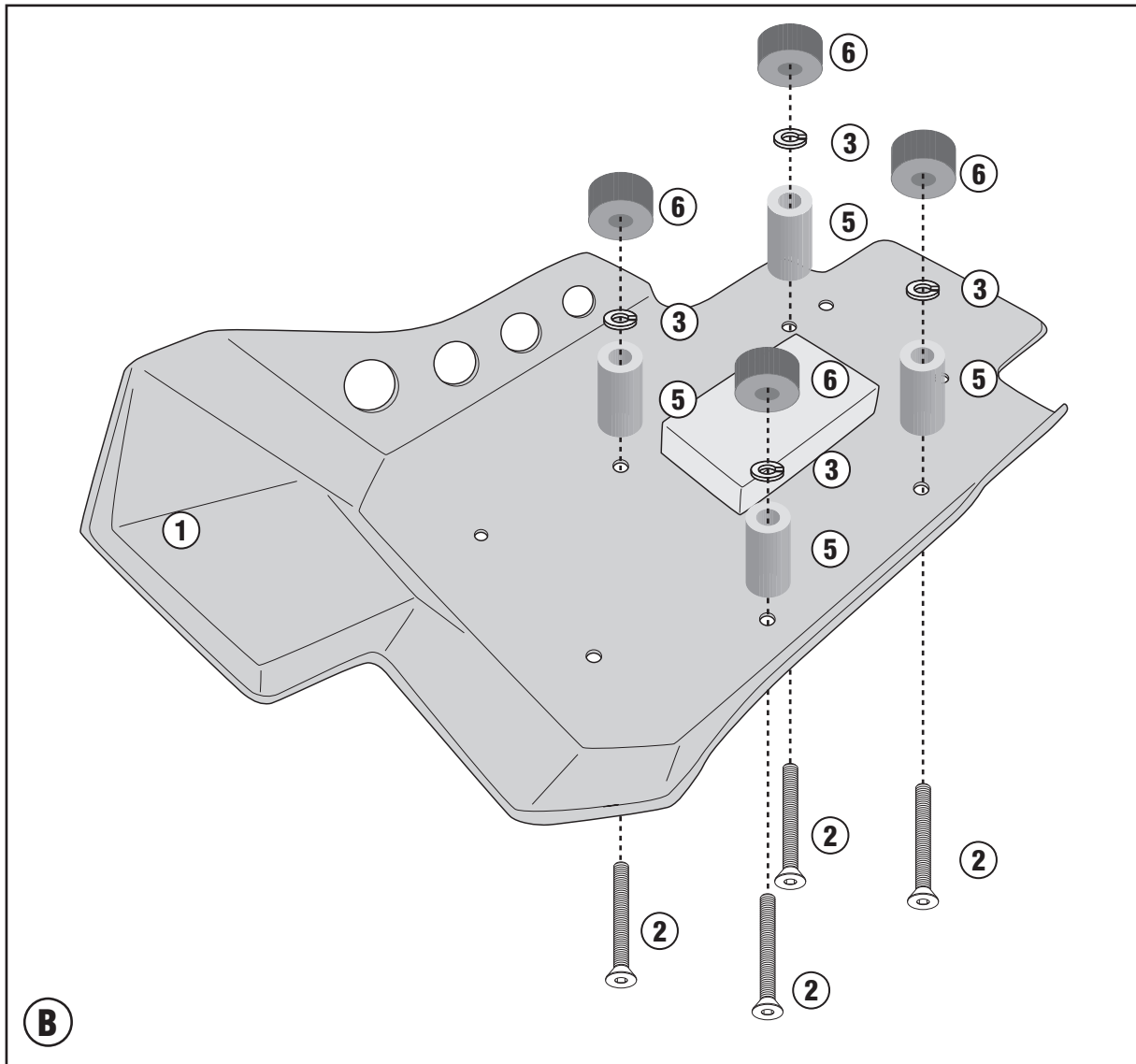
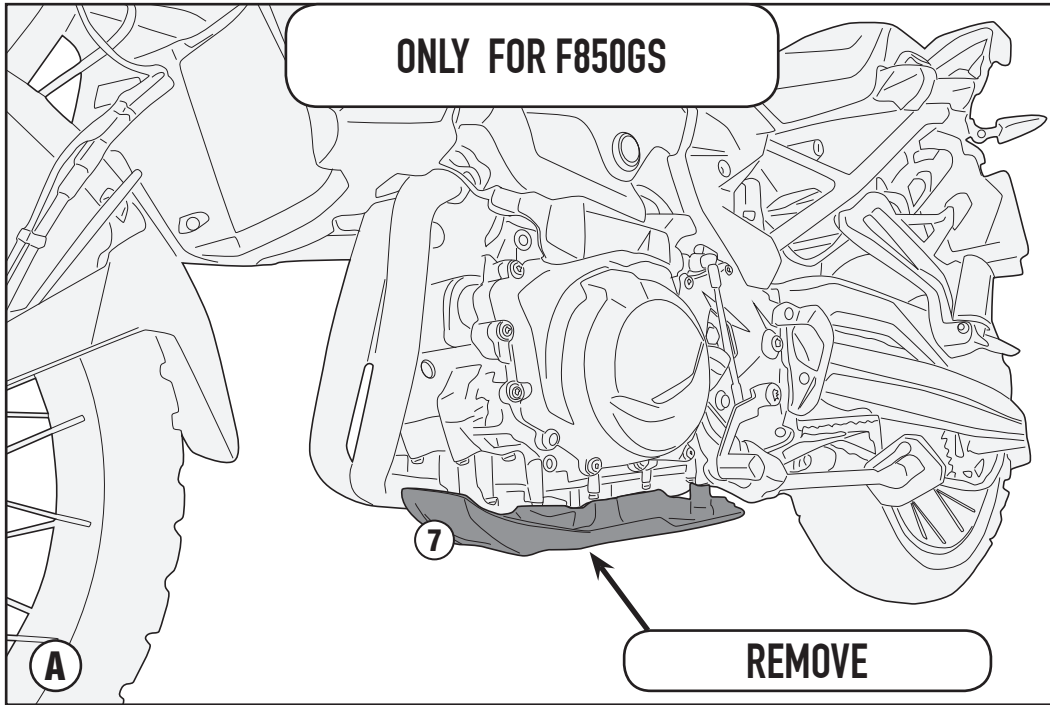
BMW F750 GS (2018/2019) / BMW F850GS (2018/2019)



RP5129 - RP5129K

OIL CARTER PROTECTOR

BMW F750 GS (2018/2019) / BMW F850GS (2018/2019)



RP5129 - RP5129K

OIL CARTER PROTECTOR

BMW F750 GS (2018/2019) / BMW F850GS (2018/2019)

