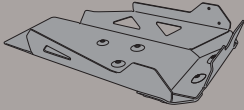


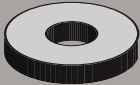


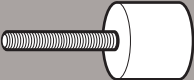


# RP5112

OIL CARTER PROTECTOR

## BMW R1200GS (2013 - 2014) / R1200GS ADVENTURE (2014)

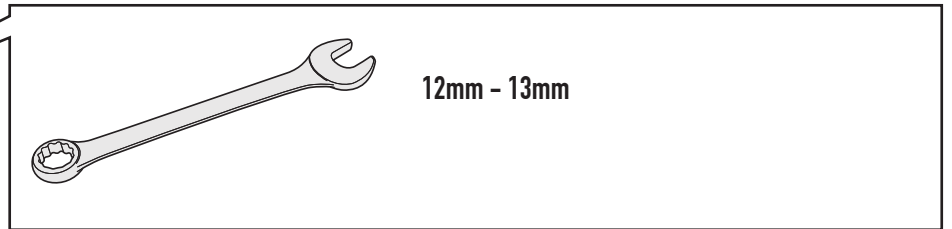
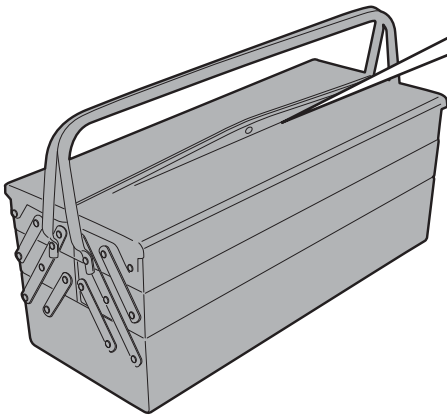
N°	Description	Features	Code	Quantity	
1	Oil Carter Protector	Sp. 3mm	-	1	
2	Screw	TE M8x12	812TE	3	
3	Screw	TECF M6x20	620TECF	2	
4	Spacer	Ø22x3 Foro 8.5mm	C22L3F8,5T	1	
5	Washer	Ø6	6RONZ	2	
6	Washer	Ø8x14	814RONZ	3	
7	Silent Block	30x30	-	3	
8	Original Parts	-	-	-	-

# RP5112

PARACOPPA - OIL CARTER PROTECTOR - SABOT MOTEUR - SPEZIFISCHER MOTORSCHUTZ - CUBRE CARTER - COBRE CARTER

**BMW R1200GS (2013 - 2014) / R1200GS ADVENTURE (2014)**

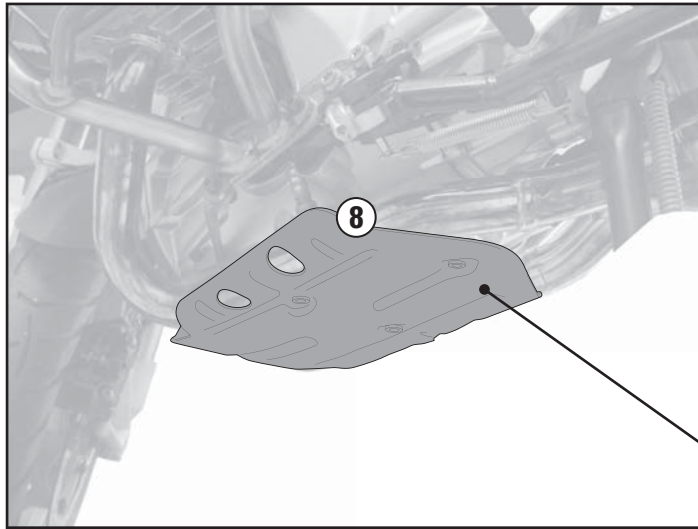
---



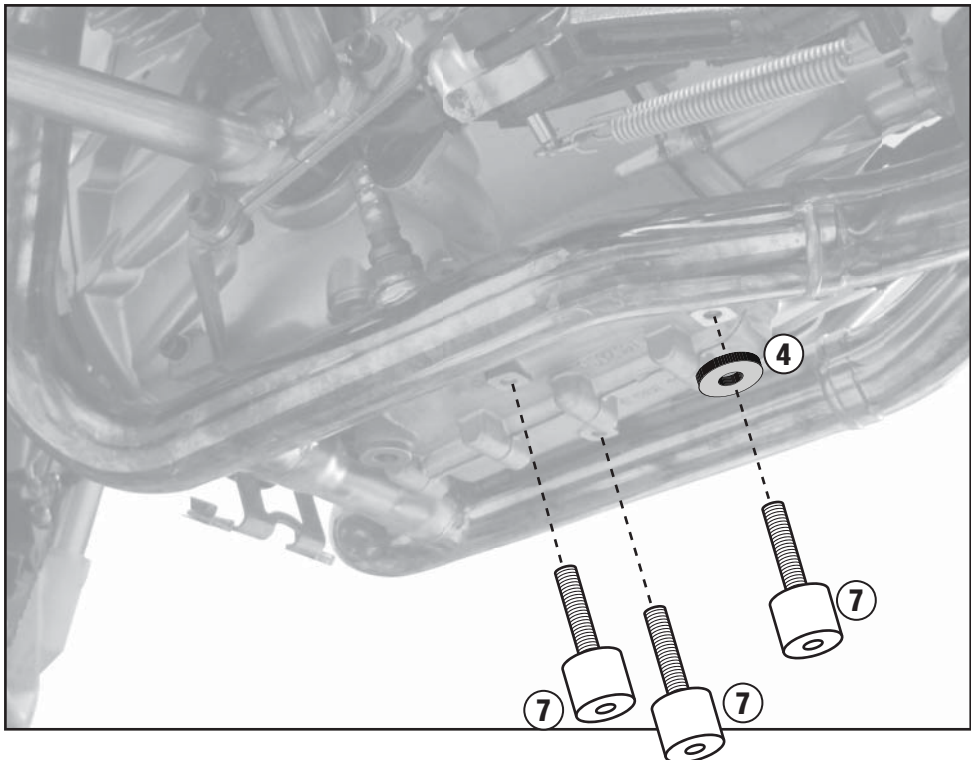
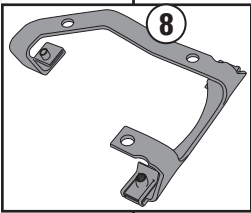
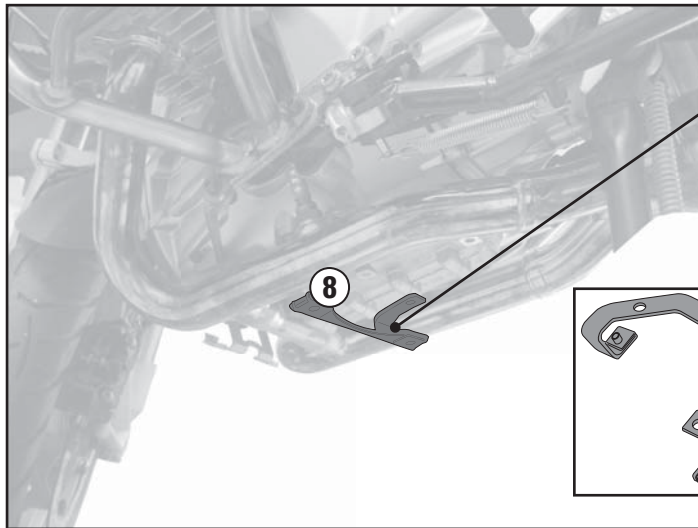
# RP5112

OIL CARTER PROTECTOR

**BMW** R1200GS (2013 - 2014) / R1200GS ADVENTURE (2014)



REMOVE



# RP5112

OIL CARTER PROTECTOR

**BMW R1200GS (2013 - 2014) / R1200GS ADVENTURE (2014)**

